

# PRODUCT CATALOG





## **OTR WHEEL ENGINEERING, INC.**

OTR is your global partner for high-quality, engineered, off-the-road tires, wheels, assemblies and accessories. Thank you for choosing OTR as a resource to help find the right solution for your vehicle or machine. We are proud to supply well-known original equipment manufacturers and aftermarket customers, garnering a reputation as a solutions provider, using customer feedback to develop innovative products and services that solve problems and add value.

### **COMPANY OVERVIEW**

OTR is a multinational enterprise with over 1,000 employees dedicated to supporting customers around the world. Core markets include Lawn & Garden, Powersports, Construction, Material Handling, Mining, Forestry, Agricultural and Specialty Vehicles.

OTR's global infrastructure comprises 38 manufacturing facilities and warehouses located in the U.S., Canada, Europe, and Asia. Our business model is based not only on developing, manufacturing and supplying market-driven products, but also services such as warehousing, tire mounting, sequencing, tire liner, foam-fill and modular assembly in facilities located near customers. We also support a network of distribution partners servicing local markets with one-stop-shopping for OTR products.

OTR's product line-up is the result of many years of experience, innovations and a hands-on approach that ensures our products get the job done. Whether focusing on productivity and machine utilization, comfort and safety, or value for the money, OTR's team will help you find the right solution.



# TABLE OF CONTENTS

## LAWN • GARDEN • GOLF 7-28

<b>TIRES</b>	QUICK REFERENCE GUIDE.....	8-9
	GRASS MASTER.....	10-11
	LITEFOOT.....	11
	ZERO-T.....	12
	ZERO-T II.....	12
	HBR LAWN MASTER.....	13
	LAWN BOSS.....	13
	HK45.....	14
	350 MAG.....	14
	CHEVRON.....	15
	CHEVRON II.....	15
	ULTRA CHEVRON.....	15
	SOFT FOOT.....	16
	TURFMANN.....	16
	XT-41.....	16
	GARDEN MASTER.....	17
	LAWN TRAC.....	17
	FIELD MASTER.....	17
	22 MAG.....	18
	SMOOTH.....	18
	RIB.....	19
	RIB ROTARY CUTTER WHEELS.....	19
	FLEX SMOOTH.....	20
	FLEX RIB.....	20
	ROUGH TAMER.....	21
	SAWTOOTH.....	21
	PROWLER.....	22
	TEE MASTER.....	22
	FAIRWAY MASTER.....	23
	GC.....	23
<b>WHEELS</b>	UNIVERSAL FIT FRONT WHEELS.....	24
	UNIVERSAL FIT REAR WHEELS.....	25
<b>TUBES</b>	TUBES.....	26
<b>FORK ASSEMBLIES</b>		27
<b>NDX TIRE &amp; WHEEL SYSTEM</b>		28

## POWERSPORTS 29-40

<b>TIRES</b>	QUICK REFERENCE GUIDE.....	30-31
	350 MAG.....	32
	350 SUPER MAG.....	33
	440 MAG.....	33
	TM-440.....	33
	PROWLER.....	34
	ROCK JAW.....	34
	BEAST.....	34
	TOMAHAWK.....	35
	BIG FOOT.....	35
	22 MAG.....	35
	DIRT MASTER.....	36
	WIZZARD.....	36
	WIZZARD R2.....	37
	TRAIL WARRIOR.....	37
	PRO TERRAIN.....	37
	HP-007.....	38
	HP-009.....	38
	250 SWIFT.....	38
<b>WHEELS</b>	POWERSPORTS WHEELS.....	39
<b>NDX TIRE &amp; WHEEL SYSTEM</b>		40

TABLE OF CONTENTS



# TABLE OF CONTENTS

## CONSTRUCTION

41-64

<b>TIRES</b>	QUICK REFERENCE GUIDE.....	42-43
	OTR R4.....	44
	LIFTBOSS ND-266 NON DIRECTIONAL.....	44
	LIFTBOSS D228 R4.....	44
	LITEFOOT.....	45
	STABILIZER®.....	45
	SAND MASTER.....	46
	LITEFOOT PRO.....	46
	TX-90.....	46
	WEARMASTER®.....	47
	SKS-1.....	47
	SOLIDBOSS®.....	48-49
	P355.....	49
	LIFTBOSS FOR TELEHANDLER.....	50
	GRADER/TELEHANDLER TG-09.....	50
	E3.....	51
	HEATMASTER.....	51
	PNEUMATIC AIR FILLED NON-MARKING TIRES.....	52
	SOLID MOLD-ON SCISSOR LIFT TIRES.....	52
	R4 HD.....	53
<b>TRACKS</b>	TRACKBOSS®.....	53
<b>TUBES</b>	TUBES.....	54-55
<b>WHEELS</b>	BACKHOE.....	56
	SKID LOADER.....	57
	3 WHEEL FORK.....	58
	LOADER.....	58-59
	TELEHANDLER.....	60
	CRANE.....	61
<b>TIRE SHIELDS</b>	.....	62
<b>FLAT PREVENTION</b>	.....	62
	TYRLYNER®.....	63
	FOAM-FILL AND WHEEL EXCHANGE PROGRAM.....	63
	SOLID TIRES.....	63

## MATERIAL HANDLING

65-74

<b>TIRES</b>	QUICK REFERENCE GUIDE.....	66
	GSE.....	67
	IND-5.....	67
	MUDSHARK HF3.....	68
	MUDSHARK R4.....	68
	R4-HD.....	68
	SAND MASTER.....	69
	SANDSTORM.....	69
	TRACTION MASTER HF3.....	69
<b>TUBES</b>	TUBES.....	70
<b>WHEELS</b>	MATERIAL HANDLING.....	71
	3 WHEEL FORK.....	71
<b>TIRE SHIELDS</b>	.....	72
<b>FLAT PREVENTION</b>	.....	72
	TYRLYNER®.....	73
	FOAM-FILL AND WHEEL EXCHANGE PROGRAM.....	73
	SOLID TIRES.....	73
<b>WHEEL INSPECTION &amp; RECERTIFICATION</b>	.....	74



# TABLE OF CONTENTS

## MINING

75-122

### INFORMATION

QUICK REFERENCE GUIDE.....	76
FEATURES & NOTES.....	77
SAFETY.....	78
TIRE TO RIM CONVERSION TABLE.....	79

### 3-PIECE RIM ASSEMBLIES

25° 3-PIECE RIM ASSEMBLIES, TYPE T, TD.....	80
25° 3-PIECE RIM ASSEMBLIES, HEAVY DUTY TYPE.....	81

### 5-PIECE RIM ASSEMBLIES

25° 5-PIECE RIM ASSEMBLIES, TYPE STG, STN.....	82
25° 5-PIECE RIM ASSEMBLIES, TYPE HTG, HTN, HTM.....	83
29° 5-PIECE RIM ASSEMBLIES, TYPE HTHG, HTHM.....	84
33°-45° 5-PIECE RIM ASSEMBLIES, TYPE RTEL, RHTM.....	85
33°-49° 5-PIECE RIM ASSEMBLIES, TYPE RW.....	86
35°-49° 5-PIECE RIM ASSEMBLIES, TYPE MRW.....	87
51°-57° 5-PIECE RIM ASSEMBLIES, STANDARD DESIGN.....	88
51°-57° 5-PIECE RIM ASSEMBLIES, HEAVY DUTY DESIGN.....	89
63° 5-PIECE RIM ASSEMBLIES STANDARD DESIGN.....	90
63° 5-PIECE RIM ASSEMBLIES HEAVY DUTY DESIGN.....	91
63° 5-PIECE RIM ASSEMBLIES, HEAVY DUTY TAPERED DESIGN.....	92
TLS HD 5-PIECE.....	93
STANDARD 5-PIECE.....	94

### 6-PIECE RIM ASSEMBLIES

TLS HD 6-PIECE.....	95
---------------------	----

### 7-PIECE RIM ASSEMBLIES

TLS HD 7-PIECE.....	96
STANDARD 7-PIECE.....	97

### COMPONENTS FOR RIM/WHEEL ASSEMBLIES

25° & 29° FLANGES FOR 5PC RIMS/WHEELS.....	99
25° SIDE RINGS FOR 3PC RIMS/WHEELS.....	99
25° LOCK RINGS FOR 3 PC RIMS/WHEELS.....	100
25° & 29° LOCK RINGS FOR 5 PC RIMS/WHEELS.....	100
25° & 29° LOCK RINGS FOR 5PC RIMS/WHEELS.....	101
25° & 29° BEAD SEAT BANDS FOR 5PC RIMS/WHEELS.....	102
33°-49° FLANGES FOR 5 PC RIMS/WHEELS.....	103
33°-49° LOCK RINGS FOR 5 PC RIMS/WHEELS.....	104
33°-49° BEAD SEATS FOR 5 PC RIMS/WHEELS.....	105
51° & 57° FLANGES FOR 5 PC RIMS/WHEELS.....	106
51° & 57° LOCK RINGS FOR 5 PC RIMS/WHEELS.....	107
51° & 57° BEAD SEAT W/ SURLOC FOR STANDARD 5 PC RIMS/WHEELS.....	107
51° & 57° BEAD SEAT FOR HEAVY DUTY 5 PC RIMS/WHEELS.....	108
57° BEAD SEAT W/ SURLOC FOR HEAVY DUTY 5 PC RIMS/WHEELS.....	108
63° FLANGES FOR STANDARD 5 PC RIMS/WHEELS.....	109
63° FLANGES FOR HEAVY DUTY 5 PC RIMS/WHEELS.....	109
63° FLANGES FOR HEAVY DUTY TAPERED 5 PC RIMS/WHEELS.....	110
63° LOCK RINGS FOR STANDARD 5 PC RIMS/WHEELS.....	110
63° LOCK RINGS FOR HEAVY DUTY 5 PC RIMS/WHEELS.....	111
63° (35°) LOCK RINGS FOR HEAVY DUTY TAPERED 5 PC RIMS/WHEELS.....	111
63° BEAD SEAT BANDS FOR STANDARD 5 PC RIMS/WHEELS.....	112
63° BEAD SEAT BANDS FOR HEAVY DUTY 5 PC RIMS/WHEELS.....	112
63° BEAD SEAT BANDS FOR HEAVY DUTY TAPERED 5 PC RIMS/WHEELS.....	113
DRIVER KEYS.....	114

### REFERENCES

STAMPED PART NUMBER LOCATION.....	115
RIM TERMINOLGY.....	116
EXAMPLES OF WHEEL OFFSETS INSET & ZEROSET.....	117
EXAMPLES OF WHEEL OFFESETS OUTSET, WHEEL DISC STYLE & WHEEL DISC TYPES.....	118

### UNDERGROUND MINING

#### TIRE SHIELDS

#### WHEEL INSPECTION

WHEEL INSPECTION.....	121
ISO CERTIFICATION.....	121

TABLE OF CONTENTS



# TABLE OF CONTENTS

## FORESTRY

123-130

<b>WHEELS</b>	INTRODUCTION .....	124
	CAT/WEILER WHEELS .....	125
	JOHN DEERE WHEELS.....	126
	TIGERCAT WHEELS.....	127
	CUSTOM ASSEMBLIES.....	128
	APPLICATIONS TIPS .....	129

## AGRICULTURE

131-148

<b>TIRES</b>	QUICK REFERENCE GUIDE .....	132-133
	XT-41 .....	134
	LAWN TRAC .....	134
	TRACTION MASTER.....	135
	CROP MASTER.....	135
	FIELD MASTER.....	136
	CROP TRACX .....	136
	GC-703 .....	137
	BIG FOOT.....	137
	I-1 RIB.....	138
	LITEFOOT & LITEFOOT G1/R1 .....	138
	LITEFOOT PRO.....	139
	RAIN MASTER .....	139
	RAINMAX.....	140
	RAINMAX H2O.....	140
	TRAILER TIRES & WHEELS.....	141
	SPECIALTY AG TIRES & WHEELS .....	141
<b>TUBES</b>	TUBES.....	142-144
<b>WHEELS</b>	PIVOT WHEELS.....	145
	STANDARD IMPLEMENT WHEELS .....	146
	CUSTOM AG WHEELS .....	147
<b>ACCESSORIES</b>	.....	147
<b>SERVICES</b>	TYRLYNER.....	148
	MOUNTING & SEQUENCING.....	148

## SPECIALTY VEHICLES

149-154

<b>SPECIALTY VEHICLES</b>	OFF-ROAD HEAVY DUTY TRUCKS .....	150
	SPECIALTY TRUCK TRAILERS.....	151
	CONVEYORS.....	151
	CLEANING EQUIPMENT .....	152
	TREE CARE .....	152
	MILITARY VEHICLES .....	153
<b>TIRE SHIELDS</b>	TIRE SHIELDS .....	154
<b>INFORMATION</b>	.....	155

# LAWN • GARDEN • GOLF



**GRASS MASTER**



**XT-41**



**ZERO-T II**





# LAWN • GARDEN • GOLF

## QUICK REFERENCE GUIDE

LAWN • GARDEN • GOLF

### COMMERCIAL



GRASS MASTER 10



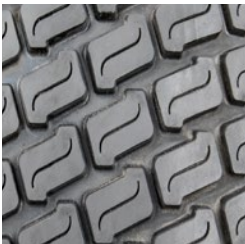
LITEFOOT 11



ZERO-T 12



ZERO-T II 12



HBR LAWN MASTER 13



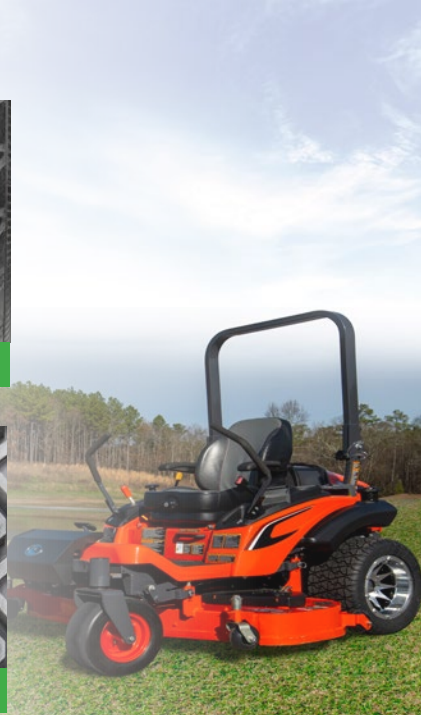
LAWN BOSS 13



HK45 14



350 MAG 14



### RESIDENTIAL



CHEVRON 15



CHEVRON II 15



ULTRA CHEVRON 15



SOFT FOOT 16



TURFMANN 16

### MULTI-PURPOSE



XT-41 16



GARDEN MASTER 17



LAWN TRAC 17



FIELD MASTER 17



22 MAG 18

## 8 TIRES

PRODUCT SPECIFICATIONS AND AVAILABILITY SUBJECT TO CHANGE WITHOUT NOTICE





# QUICK REFERENCE GUIDE

## LAWN • GARDEN • GOLF

### SPECIALTY



SMOOTH 18



RIB 19



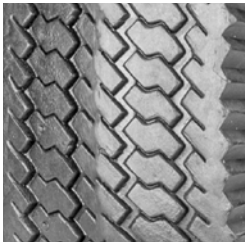
FLEX SMOOTH 20



FLEX RIB 20



ROUGH TAMER 21

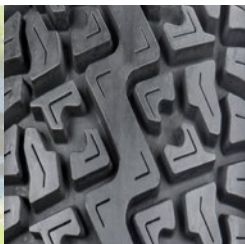


SAWTOOTH 21



LAWN • GARDEN • GOLF

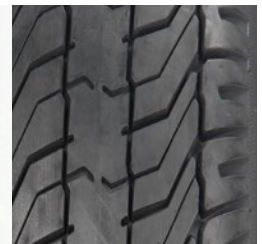
### GOLF • PERSONAL TRANSIT



PROWLER 22



350 MAG 14



TEE MASTER 22



FAIRWAY MASTER 23



GC 23



# LAWN • GARDEN • GOLF

# GRASS MASTER

LAWN • GARDEN • GOLF

**GRASS MASTER** provides exceptional turf-friendly performance for zero-turn, riding and stand-up lawn mowers. Its unique S-shaped tread design optimizes ground contact for superior traction; it won't damage lawns even when making sharp turns and maneuvering on slopes. It's durable, long-lasting and reliable, making it the preferred tire solution for leading OEMs.



PART #	DESCRIPTION	PR	RIM	PSI	SW	OD	LOAD
T802156006	15X6.00-6	2	6X4.50	14	6.22	14.37	570@10 MPH
T804156006	15X6.00-6	4	6X4.5	14	5.98	14.29	570@10 MPH
T804166508	16X6.50-8	4	8X5.375	28	6.42	15.84	615@10 MPH
T804167508	16X7.50-8	4	8X5.375	22	7.03	16.19	760@10 MPH
T186508003	18X6.50-8	4	8X5.375	28	6.5	17	770@10 MPH
T18780002	18X7.00-8	4	8X5.375	26	7.09	17.81	785@10 MPH
T187508001	18X7.50-8	4	8X5.375	24	7.56	17.91	805@10 MPH
T18858007	18X8.50-8	2	8X7	22	8.7	17.91	825@10 MPH
T804188508	18X8.50-8	4	8X7	22	8.5	17.71	825@10 MPH
T804189508	18X9.50-8	4	8X7	24	9.11	18.33	935@10 MPH
T804189508FP	18X9.50-8	4	8X7	24	9.25	18.27	935@10 MPH
T8041885010	18X8.50-10	4	10X7	22	8.41	17.6	780@10 MPH
T80418105010	18X10.50-10	4	10X8.50	22	9.92	17.95	990@10 MPH
T80418105010FP	18X10.50-10	4	10X8.50	22	9.84	18.31	990@10 MPH
T804208008	20X8.00-8	4	8X6.5	22	8.23	19.96	965@10 MPH
T8042010008	20X10.00-8	4	8X7	22	9.88	19.53	1170@10 MPH
T2010508003	20X10.50-8	4	8X7	22	10.31	19.09	1250@10 MPH
T2010508004	20X10.50-8	6	8X7	24	10.31	19.09	990@10 MPH
T8042065010	20X6.50-10	4	10X5.5	24	6.7	19.6	840@10 MPH
T8042080010	20X8.00-10	4	10X6.5	22	7.87	19.67	850@10 MPH
T80420100010	20X10.00-10	4	10X7	22	9.17	19.49	1170@10 MPH
T80420120010	20X12.00-10	4	10X8.5	20	11	19.9	1320@10 MPH
T80222110010	22X11.00-10	2	10X8.50	10	11.14	21.1	1200@10 MPH
T80422110010	22X11.00-10	4	10X8.5	22	11.14	21.5	1480@10 MPH
T80423105012	23X10.50-12	4	12X8.5	22	10.55	23.02	1320@10 MPH
T8042395012FP	23X9.50-12	4	12X7	24	9.21	22.95	1375@10 MPH
T80424120012	24X12.00-12	4	12X10.5	20	11.54	23.86	1710@10 MPH
T80424120012FP	24X12.00-12	4	12X10.50	20	12.2	23.23	1710@10 MPH
T8042495012FP	24X9.50-12	4	12X7	24	10.08	23.54	1375@10 MPH
T80425100012	25X10.00-12	4	12X7	22	10.14	25.04	1610@10 MPH
T8042590012	25X9.00-12	4	12X7	8	9.33	23.9	1390@10 MPH
T261212016	26X12.00-12	6	12X10.50	30	12.6	25.43	1760@10 MPH

10 TIRES

PRODUCT SPECIFICATIONS AND AVAILABILITY SUBJECT TO CHANGE WITHOUT NOTICE



# GRASS MASTER

## LAWN • GARDEN • GOLF



**OTR'S GRASS MASTER** is a recognized industry-leading tire preferred by well-known OEMs. It's our BEST all-around turf tire.

PART #	DESCRIPTION	PR	RIM	PSI	SW	OD	LOAD
T80424120014	24X12.00-14	4	14X10.5	12	11.85	24.09	1820@10 MPH
T8042495014	24X9.50-14	4	14X7	12	9.09	24.06	1375@10 MPH
T80425120012	25X12-12	4	12X10.5	20	12.52	25	1740@10 MPH
T80426120012	26X12.00-12	4	12X10.5	20	12.6	25.08	1760@10 MPH
T80426105012	26X10.50-12	4	12X8.5	22	11.02	26.1	1590@10 MPH
T8042695012FP	26X9.50-12	4	12X7	20	9.53	25.35	1590@10 MPH
T80426120016FP	26x12.00-16	4	16x10.5	20	11.69	25.98	1820@10MPH
T8082485014	24x8.50-14	8	14x7	44	8.39	23.82	1870@10MPH
T801031155015	31X15.50-15	10	15X13	60	14.83	30.61	4225@10 MPH

# LITEFOOT

**LITEFOOT** delivers good performance and value, with exceptional traction, turf-protection and durability. It's especially well-suited for smaller turf equipment as an alternative to our premium Grass Master tire.



PART #	DESCRIPTION	PR	RIM	PSI	SW	OD	LOAD
T40422510008	22.5X10.00-8	4	8X8	22	10.24	22.6	1390@10 MPH
T40422100010	22X10.00-10	4	10X8	20	9.53	22.24	1200@10 MPH
T40422110010FP	22X11.00-10	4	10X8.50	22	11.2	21.6	1395@10 MPH
T4042295010	22X9.50-10	4	10X7.50	20	9.61	22.05	1200@10 MPH
T4042385012	23x8.50-12	4	12X7	22	8.24	22.6	1100@10MPH
T40423105012	23X10.50-12	4	12X8.50	20	9.96	23.03	1320@10 MPH
T406231050360	23X10.50-360	6	14X8	40	9.38	23.2	1320@10MPH
T40423110010FP	23X11.00-10	4	10X8.50	22	11.2	21.6	1480@10 MPH
T231212001	23X12.00-12	4	12X10.50	20	12.34	23.23	1710@10 MPH
T40424120012	24X12.00-12	4	12X10.50	20	12.34	23.23	1710@10 MPH
T4042495012	24X9.50-12	4	12X7	24	9.78	23.27	1375@10 MPH
T261212011	26X12.00-12	4	12X10.50	20	12.8	24.8	1760@10 MPH
T40426140012	26X14.00-12	4	12X10.50	18	13.74	25.71	1500@10 MPH



## LAWN • GARDEN • GOLF

## ZERO-T

LAWN • GARDEN • GOLF

**ZERO-T** delivers an exceptional all-terrain mowing solution, whether operating on flat ground or slopes, with a unique tread pattern that will not damage grass. It enables mowers to go up to 15% faster than conventional turf tires, while making tighter turns. It's also designed to reduce shock and vibration, with superior puncture resistance as well.



PART #	DESCRIPTION	PR	RIM	PSI	SW	OD	LOAD
T13304167508	16X7.50-8	4	8X5.375	22	7.6	15.98	760@10 MPH
T133042080010FP	20X8.00-10	4	10X7	22	8.35	20.16	850@10 MPH
T1330420100010	20X10.00-10	4	10X7	22	9.84	20.1	1170@10 MPH
T1330422110010	22X11.00-10	4	10X8.50	22	11.18	22.06	1480@10 MPH
T1330423105012	23X10.50-12	4	12X8.5	20	10.55	23.11	1320@10 MPH
T1330424120010	24X12.00-10	4	10X8.50	22	11.81	23.91	1710@10 MPH
T1330424120012	24X12.00-12	4	12X9.50	20	12.05	24.02	1710@10 MPH
T1330426120012	26X12.00-12	4	12X9.50	20	12.01	25.98	1760@10 MPH

## ZERO-T II



**ZERO-T II** is the ideal tire for zero-turn mowers operating on slopes and rough terrain, using a squared shoulder and large voids between lugs to optimize flex and ground contact for improved grip. Its tread pattern ensures safe operation while minimizing vibration, featuring a premium compound that improves puncture resistance.

PART #	DESCRIPTION	PR	RIM	PSI	SW	OD	LOAD
T1600422110010	22x11.00-10	4	10x8.5	22	11.38	22.09	1480@10MPH
T1600423105012	23x10.50-12	4	12x8.5	20	10.04	22.68	1320@10MPH
T1600424105012	24x10.50-12	4	12x8.5	24	10.47	23.9	1650@10MPH
T1600424120012	24x12.00-12	4	12x9.5	22	11.33	23.66	1710@10MPH
T1600426120012	26x12.00-12	4	12x9.5	20	11.81	25.94	1760@10MPH



# TyrLyner®

TyrLyner® is a proprietary material securely applied to the inside of a tire's casing to extend life and enhance safe operation. Its "self-healing" technology ensures the tire is sealed when punctured or cut by objects up to 1/4". It's especially popular for OTR's flagship tire, the Grass Master, and other tires used for turf, utility and agricultural equipment. The coating is applied at an OTR facility for original equipment manufacturers, distributors and consumers looking to enhance tire safety and productivity.

## 12 TIRES

PRODUCT SPECIFICATIONS AND AVAILABILITY SUBJECT TO CHANGE WITHOUT NOTICE



# HBR LAWN MASTER

LAWN • GARDEN • GOLF



**HBR LAWN MASTER** is a low-profile tire designed to minimize ground compaction. Lugs angled diagonally across the tire's contact patch, coupled with gently sloping shoulders make this a well-suited tire for residential mowing and turf requiring extra care. Its wide stance improves grip and handling as well.

PART #	DESCRIPTION	PR	RIM	PSI	SW	OD	LOAD
T8702156008	15X6.00-8	2	8X4.5	14	5.75	14.84	355@10 MPH
T87022085012FP	20X8.50-12	2	12X7.5	10	8.74	19.96	585@10 MPH
T870422100014	22X10.00-14	4	14X8	22	9.61	22.28	1230@10 MPH
T87042495014	24X9.50-14	4	14X8	20	9.37	24.13	1375@10 MPH
T870426120016	26X12.00-16	4	16X10.5	20	12	26.1	1820@10 MPH

LAWN • GARDEN • GOLF

# LAWN BOSS

**LAWN BOSS** is a multi-purpose tire with a low profile and S-shaped lugs that fit a variety of machines. Its versatility and durability makes the tire a good all-around solution for professionals and consumers.



PART #	DESCRIPTION	PR	RIM	PSI	SW	OD	LOAD
T11904188508	18X8.50-8	4	8X7	22	8.7	18.23	825@10 MPH
T119042010008	20X10.00-8	4	8X8	22	10.24	19.84	1190 @ 10 MPH
T1190420100010	20X10.00-10	4	10X8	22	10.28	20.21	1170@10 MPH
T11904201000012	20X10.00-12	4	12X8	22	9.69	20.16	1100@10 MPH
T1190420120010	20X12.00-10	4	10X9.5	20	11.73	20.24	1320@10 MPH
T1190422510008	22.5X10.00-8	4	8X8	22	10.24	22.56	1390@10 MPH
T119042295010	22X9.50-10	4	10X7.50	20	9.33	22.2	1200@10 MPH
T119042310008	23X10.00-8	4	8X8	22	10.12	23.11	1430@10 MPH
T1190423105012	23X10.50-12	4	12X8.50	24	10.87	23.35	1570@10 MPH
T1190424120010	24X12.00-10	4	10X9.50	20	11.97	24.06	1710@10 MPH
T119042512009	25X12.00-9	4	9X9.50	20	12.13	24.96	1820@10 MPH



## LAWN • GARDEN • GOLF

## HK45

**HK45** is an all-purpose, non-directional tire featuring a unique geometric lug design that achieves excellent balance between traction—straight line and cornering—and handling on flat and sloped ground. Its sidewalls are reinforced for puncture-resistance and durability.



PART #	DESCRIPTION	PR	RIM	PSI	SW	OD	LOAD
T24450418110010	18X11.00-10/4PR	4	10X8.5	22	9.5	17.72	1100@10 MPH

## 350 MAG



**350 MAG** is one of OTR's best all-around tires, whether used in turf, ATV or utility vehicle applications. Its open, non-directional tread pattern and distinctive diamond-shaped lugs, located on the tire's shoulders, optimize handling and grip, for exceptional performance. It handles heavier loads while providing a comfortable ride, making it a preferred tire for OEMs and consumers.

PART #	DESCRIPTION	PR	RIM	PSI	SW	OD	LOAD
T243504166508	16X6.50-8	4	4	28	6.3	16	640@10MPH
T24350618105010	18X10.50-10	6	10X8.5	36	9.92	18.39	1390@10MPH
T2435041885010	18X8.50-10	4	10X7	22	8.07	18.07	825@10MPH
T2435061885010	18X8.50-10	6	10X7	32	8.07	18.07	1050@10MPH
T2435042010008	20X10.00-8	4	8X7	22	10.04	19.69	1200@10MPH
T24350622110010	22X11.00-10	6	10X8	34	10.91	22.09	1480@10MPH
T24350623105012	23X10.50-12	6	12X8.5	22	10.31	22.91	1320@10MPH
T24350624120012	24X12.00-12	6	12X10.5	32	12.09	24.13	2,270@10MPH
T24350626120012	26X12.00-12	6	12X10.5	20	12.35	25.1	2270@10MPH

**350 MAG** is an industry-recognized tire used by leading OEMs. It's a premium tire in terms of durability, ride comfort, long life and load-bearing capacity.

### TERRIFIC IN ALL CONDITIONS



*"I have had my Kioti Mechron since 2015. I use it every day to do all my chores on my property. The OTR 350 MAG has been just terrific, in all conditions—2 wheel, 4 wheel, diff lock—I've done it all. They have worn well with plenty of tread left, and have never had any kind of issues."*

*Matt Ivey, Cowlitz River Rigging-Kioti Tractor*



# CHEVRON

LAWN • GARDEN • GOLF



**CHEVRON** is a non-directional tire with a proven tread pattern that is well suited for smaller equipment, providing good traction, stability, durability and value for the money. It's an excellent utility tire for residential turf care.

PART #	DESCRIPTION	PR	RIM	PSI	SW	OD	LOAD
T5604135006	13X5.00-6/4PR	4	6X3.5	22	4.69	12.72	440@10 MPH
T5604136506	13-6.50-6/4PR	4	6X4.5	28	6.3	13.27	460@10 MPH
T10104188508	18X8.50-8/4PR	4	8X7	22	8.28	17.77	825@10 MPH



# CHEVRON II

**CHEVRON II** is a non-directional tire with a tapered shoulder that enhances grip, especially on slopes. It's a step up from our Chevron tire, offering improved traction for professional turf care. It's also durable, with a long-lasting tread.

PART #	DESCRIPTION	PR	RIM	PSI	SW	OD	LOAD
T10104114004	11X4.00-4	4	4X3	46	3.94	11.34	340@10 MPH
T10104156006	15X6.00-6	4	6X4.5	30	6.26	14.65	565@10 MPH
T10104166508	16X6.50-8	4	8X5.375	28	6.44	15.82	615@10 MPH
T10104167508	16X7.50-8	4	8X5.375	24	7.05	16.57	675@10 MPH
T10104186508	18X6.50-8	4	8X5.5	28	7.15	17.87	770@10 MPH
T10104189508	18X9.50-8	4	8X7	24	9.25	17.91	935@10 MPH
T101042010008	20X10.00-8	4	8X8	22	9.84	19.88	1200@10 MPH
T101042080010	20X8.00-10	4	10X6	24	7.91	20	850 @10 MPH
T1010420100010	20X10.00-10	4	10X7	24	7.91	20	935@10 MPH

# ULTRA CHEVRON

**ULTRA CHEVRON II** is a premium non-directional tire with ply ratings of 4, 6 and 12 for heavy-duty turf applications. Its high-quality construction ensures excellent durability and long tread life, featuring square shoulders that improve handling and grip—the ideal solution for a wide range of equipment.



PART #	DESCRIPTION	PR	RIM	PSI	SW	OD	LOAD
T560424130012	24X13.00-12	4	12X10.5	18	12.87	22.68	1730@10 MPH
T5604265140012	26.5X14.00-12	4	12X10.5	18	14.17	26.42	2170@10 MPH
T560626120014	26X12.00-14	6	14X9.50	32	12.28	26.02	2470@10 MPH
T560429140015	29X14.00-15	4	15X12	18	13.9	28.9	4210@10 MPH
T561229140015	29X14.00-15	12	15X12	75	13.9	29.33	4210@10 MPH



# LAWN • GARDEN • GOLF

# SOFT FOOT

**SOFT FOOT** is a turf tire featuring a less aggressive tread with diagonal low-profile lugs on the inside of the tire. Its smooth outer surface area and sharp radius on the shoulder improves grip. It's designed to maximize ground contact with minimal damage to grass, especially when used in residential applications.



PART #	DESCRIPTION	PR	RIM	PSI	SW	OD	LOAD
T1050424130012	24X13.00-12	4	12X10.50	18	12.55	24	1730 @ 10 MPH

# TURFMANN



**TURFMANN** features knobby lugs with siped treads that maximize ground contact for improved grip, especially on slopes. This design also improves steering and tracking, and gives the tire a unique look.

PART #	DESCRIPTION	PR	RIM	PSI	SW	OD	LOAD
TR17202166008EU	16X6.00-8	2	8X4.375	14	6.1	15.9	385 @ 10MPH
TR17202178008EU	17X8.00-8	2	8X6.5	10	7.7	16.9	465 @ 10MPH

# XT-41

**XT-41** is a game-changing "hybrid" tire blending R4 and R1 tread patterns for maximum flexibility in operating on- or off-road. Its high tread-to-void ratio improves wear when driving on asphalt, with an overlapping centerline tread design for improved ride comfort. It also features rock ejectors in between lugs to ensure high performance when operating turf equipment in wet or muddy conditions. (This tire also works in UTV and agricultural applications!)



PART #	DESCRIPTION	PR	RIM	PSI	SW	OD	LOAD
T198041885010	18X8.50-10	4	10X7	22	7.88	17.92	780@10MPH
T198062385012	23X8.50-12	6	12X7	35	8.35	22.8	1470@10MPH
T1980426120012	26X12.00-12	4	12X10.5	20	11.84	26.07	1760@10MPH
T1980612165	12X16.5	6	16.5X9.75	40	11.69	33.48	4180@5MPH

**XT-41** is OTR's tire of the future, delivering maximum value and game-changing performance. Its innovative hybrid tread design optimizes traction, durability and ride-comfort for use in a wide range of environments.





# GARDEN MASTER

## LAWN • GARDEN • GOLF



**GARDEN MASTER** is a multi-purpose tire for turf equipment operating in a variety of conditions, including sand and soft and hard pack. It's a directional tire with an R4 pattern and lug design that improves traction on hard and soft surfaces. It's self-cleaning, with a herringbone lug design that ejects mud and debris.

PART #	DESCRIPTION	PR	RIM	PSI	SW	OD	LOAD
T99041885010	18X8.50-10	4	10X7	22	8.25	17.76	780@10 MPH
T990426120012	26X12.00-12	4	12X10.5	20	12	26	1760@10 MPH



# LAWN TRAC

**LAWN TRAC** provides an open, deep lug design with large footprint that maximizes ground contact for better grip—an excellent all-around solution for operating in muddy fields or on hills. It's self-cleaning, with lugs designed to eject mud and debris away from the tire, so there is no slowing down.

PART #	DESCRIPTION	PR	RIM	PSI	SW	OD	LOAD
T10004167508	16X7.50-8	4	8X5.375	24	7.13	16.42	710 @ 10 MPH
T100041885010	18X8.50-10	4	10X7	22	8	17.8	780 @ 10 MPH
T10004188508	18X8.50-8	4	8X7	22	8.38	18.11	825 @ 10 MPH
T1000423105012	23X10.50-12	4	12X8.50	20	10.55	23.09	1320 @ 10 MPH
T1000424120012	24X12.00-12	4	12X10.5	20	12.15	24	1710 @ 10 MPH
T1000426120012	26X12.00-12	4	12X10.5	20	12.28	25.98	1760 @ 10 MPH
T261212025	26X12.00-12	8	12X8.5	48	12.08	25.6	2835 @ 15 MPH

# FIELD MASTER

**FIELD MASTER** provides a more aggressive tread with angled lugs to enhance grip on rough terrain. It's wide stance and reinforced casing ensure stability and durability, providing a flexible solution for applications such as heavy-duty turf and agriculture, delivering a good overall value.



PART #	DESCRIPTION	PR	RIM	PSI	SW	OD	LOAD
T10404135006	13X5.00-6	4	6X3.25	20	4.7	13	295 @ 10 MPH
T10406166508	16X6.50-8	6	8X5.375	28	6.8	16.4	615@10 MPH
T10402189508	18X9.50-8	2	8X7	12	8.74	17.91	935@10 MPH
T10404189508	18X9.50-8	4	8X7	12	8.66	18.66	935@10 MPH
T104042010008	20X10.00-8	4	8X7	22	9.5	20.3	1200@10 MPH
T23105012009	23X10.50-12	4	12X8.50	22	10.24	23.23	1570@10 MPH
T1040623105012	23X10.50-12	6	12X8.50	32	10.24	23.23	1760@10 MPH
T1040426120012	26X12.00-12	4	12X10.50	20	11.81	26.18	1780@10 MPH
T261212022	26X12.00-12	8	12X10.50	50	12	26	3020@10 MPH
T188044804008	4.80X4.00-8	4	8X3	42	4.33	17.01	500@5 MPH



# LAWN • GARDEN • GOLF

## 22 MAG

LAWN • GARDEN • GOLF

**22 MAG** features a smooth bar tread to enhance traction, especially on rough terrain, as well as wet and muddy conditions. It also provides more load-bearing capacity for vehicles and machines doing heavy-duty jobs.



PART #	DESCRIPTION	PR	RIM	PSI	SW	OD	LOAD
T2404222080010	20X8.00-10	4	10X6	22	7.76	19.72	1025@10 MPH
T240222111008	22X11.00-8	4	8X8.5	22	10.9	21.2	1390 @ 10 MPH
T240422225110010	22.5X11.00-10	4	10X8.5	22	10.9	22.2	1520 @ 10 MPH
T24042222110010	22X11.00-10	4	10X8.5	22	10.8	22	1480 @ 10 MPH
T24042223105012	23X10.50-12	4	12X8.5	24	10.67	23.3	1320 @ 10 MPH
T24042224120012	24X12.00-12	4	12X9.5	20	12.28	24.37	1710 @ 10 MPH

## SMOOTH



**SMOOTH** is wide tire with exceptional ground contact for improved stability and maneuverability with no risk of damaging lawns. Sidewall construction is robust, enhancing puncture-resistance and long-life.

PART #	DESCRIPTION	PR	RIM	PSI	SW	OD	LOAD
T5504114005	11X4.00-5	4	5X2.5	46	3.9	10.85	330@10 MPH
T5504115005	11X5.00-5	4	5X3	46	4.49	11.14	355@10 MPH
T1165003	11X6.00-5	4	5X3	29	5.18	10.94	430@10 MPH
T5504135006	13X5.00-6	4	6X3.25	40	4.72	12.6	440@10 MPH
T5504136506	13X6.50-6	4	6X5	28	6.12	12.72	460@10 MPH
T5504138006	13X8.00-6	4	7X6	22	7.97	12.83	440@10 MPH
T5508156006	15X6.00-6	8	6X4.50	52	6.3	14.8	565@10 MPH
T550418105010	18X10.50-10	4	10X8.5	22	9.91	18.85	990@10 MPH
T55041810508	18X10.50-8	4	8X8	22	9.88	18.58	990@10 MPH
T5504189508	18X9.50-8	4	8X7	22	8.8	17.7	935@10 MPH
T550220100010	20X10.00-10	2	10X8.5	12	9.8	19.5	815@10 MPH
T550493504	9X3.50-4	4	4X2.5	50	3.43	9.06	352@10 MPH

## 18 TIRES

PRODUCT SPECIFICATIONS AND AVAILABILITY SUBJECT TO CHANGE WITHOUT NOTICE



# RIB

## LAWN • GARDEN • GOLF



**RIB** is a grooved tire with excellent traction and durability designed for a wide range of turf applications, including rotary cutters. Its circumferential ribs and broad shoulders enhance operation in wet conditions, with a low-impact design that minimizes turf damage.

PART #	DESCRIPTION	PR	RIM	PSI	SW	OD	LOAD
T1504114005	11X4.00-5	4	5X3	46	4.2	10.7	210 @ 10 MPH
T1504135006	13X5.00-6	4	6X3.5	40	4.69	12.72	440@10MPH
T1504136506	13X6.50-6	4	6X4.5	28	6.4	13	480@10MPH
T1504156006	15X6.00-6	4	6X4.5	30	6.02	14.21	565@10MPH
T6204166508	16X6.50-8	4	8X5.375	28	6.53	16.1	615@10MPH
TR6206188508	18X8.50-8	4	8X7	22	8.4	17.87	825@10MPH
T7904189508	18X9.50-8	4	8X7	24	9.41	17.44	935@10MPH
T6204189508	18X9.50-8	4	8X7	24	9.41	17.44	935@10MPH
T150420100010	20X10.00-10	4	10X8	22	9.45	19.6	1170@10MPH
T740420100010	20X10.00-10	4	10X8	22	9.45	19.7	1170@10MPH
*T125162170012	21X7.00-12	16	12X5.5	50	7.01	21.38	1390@10MPH
T150623105014	23X10.50-14	6	14X8.5	36	10.69	22.95	1870@10MPH
*T152202480014	24X8.00-14	20	14X6	50	7.91	24.21	1870@10MPH
*T125082570018	25X7.00-18	8	18X6	54	6.97	25.43	1610@10MPH
*T1252426900145	26X9.00-14.5	16	14.5X6	50	8.94	26.57	2400@10MPH
*T141082780018	27X8.00-18	8	18X6	50	7.87	27.05	2090@10MPH
T2020867015	6.70-15 SL	8	15X5	44	7.11	27.78	1930@10MPH

\*Tire used in rotary cutter application.

## RIB ROTARY CUTTER WHEELS

**ROTARY CUTTER WHEELS** are available for select Rib tires. These wheels are designed to withstand shock and vibration, with tight tolerancing to ensure durability and performance. OTR's wheels are protected from corrosion and exposure to extreme weather. Sizes range from 12" to 18", in one- and two-piece configurations.



PART #	WHEEL DIAMETER	OFFSET	BOLT PATTERN	PILOT HOLE	WHEEL TYPE	NUT ANGLE	TIRE FITMENT	COLOR
W125002	12X5	ZERO	5 ON 5.5	4"	1 PIECE	FLAT	20X7.00-12	BLACK
W1255004	12X5.5	ZERO	4 ON 5	3.65"	2 PC W/BOLT KIT	90	21X7.00-12	JD YELLOW
W1255001	12X5.5	ZERO	4 ON 5	3.65"	2 PC W/BOLT KIT	90	21X7.00-12	BLACK
W146002	14X6	ZERO	5 ON 5.5	4"	2 PC W/BOLT KIT	90	24X8.00-14	BLACK
W1456001	14.5X6	ZERO	5 ON 5.5	4"	2 PC W/BOLT KIT	90	26X9.00-14.5	BLACK
W186004	18X6	ZERO	5 ON 5.5	4"	1 PIECE	FLAT	25X7.00-18	BLACK
W186004	18X6	ZERO	5 ON 5.5	4"	1 PIECE	FLAT	27X8.00-18	BLACK



## LAWN • GARDEN • GOLF

## SEMI PNEUMATIC FLEX

LAWN • GARDEN • GOLF

**FLEX SMOOTH** is a heavy duty semi-pneumatic tire designed to minimize turf damage. It features a wide contact patch and smooth tread for stability and reduced vibration. Crowned versions improve grip on gentle slopes as well.



PART #	DESCRIPTION	PR	RIM	PSI	SW	OD	LOAD
53-186	10.25X3.25	N/A		N/A	3.25	10.25	TBA
TSPS114005	11X4.00-5	N/A	5X3.25	N/A	4.09	10.87	325@10MPH
TSPS1165005	11X6.00-5	N/A	5X3	N/A	5.12	11.41	365 @ 10MPH
700707953	12X3.50-6	N/A	6X3	N/A	3.5	12	500 @ 10MPH
TSPS135006325	13X5.00-6	N/A	6X3.25	N/A	4.67	12.32	460@10MPH
TSPSC136506450	13X6.50-6 CROWN FLAT TOP	N/A	6X4.5	N/A	5.81	12.68	440@10MPH
TSPS156006450	15X6.00-6	N/A	6X4.5	N/A	5.81	14.14	570@10MPH
TSPS156006R	15X6.00-6 CROWN FLAT TOP	N/A	6X4.5	N/A	5.94	14.13	570@10MPH
TSPS156508	15X6.50-8	N/A	8X4.5	N/A	5.91	14.96	260@10MPH
TSPSC156508	15X6.50-8 CROWN FLAT TOP	N/A	8X4.5	N/A	5.91	14.98	330@10MPH
TBA	4.10/3.50-4	N/A	4X	N/A	3.4	10.4	TBA
4124193	8X1.75	N/A	8X	N/A	1.65	7.88	TBA
TSPS83004	8X3.00-4	N/A	4X2.25	N/A	2.98	8.41	TBA
TSPS93504225	9X3.50-4	N/A	4X2.25	N/A	3.23	9.07	260@10MPH

## SEMI PNEUMATIC FLEX RIB

**FLEX RIB** is a semi-pneumatic tire with a ribbed tread and robust construction that delivers excellent traction and ride comfort. It's a good all-around tire for smaller equipment used in residential turf care, plus it's maintenance-free (no air required).



PART #	DESCRIPTION	PR	RIM	PSI	SW	OD	LOAD
TSP114005	11X4.00-5	N/A	5X3.25	N/A	4.2	10.9	325@10MPH
TSPR136506450	13X6.50-6	N/A	6X4.5	N/A	5.8	12.7	440@10MPH
TSP156006	15X6.00-6	N/A	6X4.5	N/A	5.9	14.2	570@10MPH

**SEMI-PNEUMATIC TIRES** provide a maintenance-free solution. They use a solid rubber core with a hollow air-pocket running through the center of the tire; there are no tubes or valve stems. In addition to being cost-effective, these tires provide a smooth ride. Plus, OTR's tires are constructed with tight tolerancing to ensure a "lock-fit" with the wheel.

20 TIRES

PRODUCT SPECIFICATIONS AND AVAILABILITY SUBJECT TO CHANGE WITHOUT NOTICE



# ROUGH TAMER

LAWN • GARDEN • GOLF



**ROUGH TAMER** provides an aggressive tread and unique lug pattern designed to ensure grip and traction. Ground contact is evenly dispersed to protect grass.

PART #	DESCRIPTION	PR	RIM	PSI	SW	OD	LOAD
T11602166508	16X6.50-8	2	8X5.375	14	6.56	15.9	615@10MPH
T116024103504	4.10/3.50-4	2	4X2.25	24	3.66	10.2	340@10MPH
T116024103505	4.10/3.50-5	2	5X2.25	24	3.66	11.1	340@10MPH
T116024103506	4.10/3.50-6	2	6X2.25	24	3.94	12.3	290@10MPH
T116044804008	4.80/4.00-8	2	8X2.5	42	4.65	16.7	500@5MPH

LAWN • GARDEN • GOLF

# SAWTOOTH



**SAWTOOTH** features an aggressive tread pattern that improves traction whether operating in front or rear-wheel drive. It's a good solution for residential use and for vehicles operating inside buildings.

PART #	DESCRIPTION	PR	RIM	PSI	SW	OD	LOAD
T60644103506	4.10/3.50-6	4	6X3.25	50	3.9	12.8	445 @ 10MPH
T60644103504	4.10/3.50-4	4	4X3.25	50	3.9	10.83	350 @ 10MPH



**NDX™** is our groundbreaking tire and wheel assembly (see page 28). It's an ideal solution for operators focused on productivity and safety, who can't afford downtime from flat tires. There is **NO** maintenance, **NO** loss of income and **NO** worries even when operating on rough terrain!





# LAWN • GARDEN • GOLF

# PROWLER

LAWN • GARDEN • GOLF

**PROWLER** is OTR's premium turf-friendly tire. Its unique siped lugs with a continuous flat center tread element provide excellent traction on wet turf, while reducing wear on asphalt. (It's popular for UTV and worksite applications as well.)



TIRE PART #	DESCRIPTION	PR	PSI	LOAD	WHEEL PART #	TYPE	COLOR	ASSEMBLY PART #
T1550423105012	23X10.50-12	4	20	1320@10MPH	1207026BK	ALUMINUM	BLACK	OTR21
T1550423105012	23X10.50-12	4	20	1320@10MPH	1207026CH	ALUMINUM	SILVER	OTR22
T1550423104014*	23X10.50-14	4	24	1480@10MPH	1407011	ALUMINUM	BLACK	OTR23
T1550625100012H	25X10.00-12	6	32	1980@10MPH	N/A	N/A	N/A	N/A

\*DOT Approved

**PROWLER** is our most popular tire for golf carts featuring a unique OTR tread design that sets it apart from off-the-shelf replacements.

# TEE MASTER

**TEE MASTER** is a radial golf tire designed for low rolling resistance, which in turn extends battery life. Its flat profile ensures excellent traction and stability, with less noise on hard surfaces—an ideal solution for golf carts used in residential areas.



TIRE PART #	DESCRIPTION	PR	PSI	LOAD	WHEEL PART #	TYPE	COLOR	ASSEMBLY PART #
T1560418850R8P*	18x8.50R8	4	22	825@10MPH	219823101	STEEL	BLACK	OTR20
T1560420540R14*	205/40R14	4	22	880@10MPH	147011	ALUMINUM	BLACK	OTR19
T1560420565R10*	205/65R10	4	22	990@10MPH	1007009	ALUMINUM	BLACK	OTR15
T2270421535R12*	215/35R12	4	24	880@10MPH	1207026BK	ALUMINUM	BLACK	OTR17

\*DOT Approved

## ABSOLUTE SMOOTHEST RIDE



*"The TEE MASTER radial has the absolute smoothest ride of any tire I've seen introduced to Golf market in the last ten years. The key I believe to its success, was extended testing and R&D in its unique build structure. I've yet to have one complaint from a customer about noise, vibration, or unusual wear characteristics. If there is any tire I would endorse and put me and family on board with, it would be the TEE MASTER."*

*Eric Huth – Sales Manager, Augusta Golf Cars - AGC*



# FAIRWAY MASTER

## LAWN • GARDEN • GOLF



**FAIRWAY MASTER** combines a unique tread pattern and rugged construction for a smooth ride with durability—ideal for golf and utility vehicles, whether driving on turf or asphalt. It features a gently squared shoulder that enhances grip on slopes with no damage to grass.

TIRE PART #	DESCRIPTION	PR	PSI	LOAD	WHEEL PART #	TYPE	COLOR	ASSEMBLY PART #
T117042055010*	205/50-10	4	30	675@10MPH	1007009	ALUMINUM	BLACK	OTR1
T117042055010*	205/50-10	4	30	675@10MPH	10070401-411	STEEL	BLACK	OTR2
T117042253512*	225/35-12	4	30	750@10MPH	1207026CH	ALUMINUM	SILVER	OTR11
T117042253512*	225/35-12	4	30	750@10MPH	1207026BK	ALUMINUM	BLACK	OTR12

\*DOT Approved

### BEST RIDING TIRE



*"The Fairway Master is one of the best riding tires we have used. Specifically designed for today's cart market, it has low vibration, low noise, and wears as well or better than any tire on the market. From tire to tire, the Fairwaymaster is consistent with all these traits."*

Gadsden Golf Carts

## GC

**GC** is a non-directional tire with a wide footprint, reinforced sidewall and tread pattern for stability and durability. It's competitively priced, delivering more value.



TIRE PART #	DESCRIPTION	PR	PSI	LOAD	WHEEL PART #	TYPE	COLOR	ASSEMBLY PART #
T5094188508*	18X8.50-8	4	22	825@10MPH	219823101	STEEL	WHITE	501240-C

\*DOT Approved

Golf cart tires and wheels are generally sold as assemblies - reference assembly part numbers as required. Tires are sold separately for service replacements.

### OTR'S 350 MAG—SEE PAGE 14—IS ALSO POPULAR IN LIFTED GOLF CARTS USED FOR PERSONAL TRANSIT.



For tire part number T24350422110010 (22x11.00-10), specify either wheel part number 10080401-411 (steel, black) (assembly part number OTR4) or 1007008 (aluminum, black) (OTR130; for tire part number T24350423105012 (23x10.50-12), specify either wheel part number 1207026CH (aluminum, silver) (OTR5) or 1207026BK (aluminum, black) (OTR6); and for tire part number T24350423105014 (23x10.50-14), specify wheel part number 1407011 (aluminum, black). **Consult with your OTR sales representative as needed.**



# LAWN • GARDEN • GOLF

## UNIVERSAL FIT FRONT WHEELS

LAWN • GARDEN • GOLF

**OTR'S LAWN, GARDEN AND TURF WHEELS**—front and rear— range from 4" to 14", covering popular tire sizes and applications. Wheels are available in steel and aluminum (for golf tires), in black, white or silver. Specialty options include rotary cutter wheels and styled wheels for lifted golf carts used in personal transit. OTR wheels are engineered with tight tolerances to ensure fitment, stability and durability.



PART #	WHEEL SIZE	TIRE SIZE	HUB LENGTH	CENTER ID	BEARING TYPE	COLOR
W4225006	4X2.25	4.10/3.50-4	3.5"	16.0MM	CAGE	WHITE
W53025	5X3	11X4.00-5	4.0"	16.0MM	SEALED	WHITE
W53012	5X3	11X4.00-5	4.1"	13.5MM	SEALED	WHITE
W6325018	6X3.25	13X5.00-6	5.6"	13.5MM	SEALED	WHITE
W6325015	6X3.25	13X5.00-6	5.8"	13.5/18.8MM	TAPER	WHITE
W645014	6X4.5	13X6.50-6/15X6.00-6	7.3"	13.5/18.8MM	TAPER	BLACK
W645007	6X4.5	13X6.50-6/15X6.00-6	7.3"	13.5/18.8MM	TAPER	WHITE
W645022	6X4.5	13X6.50-6/15X6.00-6	6.97"	13.5/18.8MM	TAPER	BLACK



**STYLED OTR ALUMINUM WHEELS** are available for select golf and personal transit vehicles.

# 24 WHEELS

PRODUCT SPECIFICATIONS AND AVAILABILITY SUBJECT TO CHANGE WITHOUT NOTICE





# UNIVERSAL FIT REAR WHEELS

# LAWN • GARDEN • GOLF



LAWN • GARDEN • GOLF

PART #	WHEEL SIZE	TIRE SIZE	BOLT PATTERN	OFFSET	COLOR
W8375006	8X3.75	4.80X8	4ON4	ZERO	WHITE
W8375009	8X3.75	4.80-8	5ON4.5	ZERO	WHITE
W85375001	8X5.375	16X6.50-8	4ON4	ZERO	WHITE
W85375007	8X5.375	16X6.50-8	5ON4.5	ZERO	WHITE
W86188006	8X6.188	16X7.50-8	4ON4	-1.3	WHITE
W8693003	8X6.93	18X8.50-8	4ON4	-0.89	WHITE
W87007	8X7	18X8.50-8	4ON4	0.08	BLACK
W87008	8X7	18X8.50-8	4ON4	0.08	WHITE
W87012	8X7	18X8.50-8	4ON4	0.08	ALMOND
W87011	8X7	18X8.50-8	4ON4	ZERO	WHITE
W87010	8X7	18X8.50-8	5ON4.5	-0.08	WHITE
W910001	9X10	25X12.00-9	5ON4.5	0.5	WHITE
W106011	10X6	20X8.00-10	4ON4	ZERO	WHITE
W106006	10X6	20X8.00-10	5ON4.5	-0.31	WHITE
W10705	10X7	18X8.50-10	4ON4	-0.5	WHITE
W10720	10X7	18X8.50-10	5ON4.5	-1.38	WHITE
W1085006	10X8.5	20X11/12.00-10	4ON4	-1.23	WHITE
W127007	12X7	23X8.50-12	4ON4	-0.75	WHITE
W127025	12X7	23X8.50-12	5ON4.5	ZERO	WHITE
W128004	12X8	25X10.00-12	5ON4.5	ZERO	ALUMINUM
W1285046	12X8.5	23X10.50-12	4ON4	-1.0	WHITE
W1285034	12X8.5	23X10.50-12	5ON4.5	0.81	WHITE
W12105039	12X10.5	26X12.00-12	4ON4	-1.125	WHITE
W12105013	12X10.5	26X12.00-12	5ON4.5	ZERO	WHITE
W12105033	12X10.5	26X12.00-12	6ON6	ZERO	WHITE



# LAWN • GARDEN • GOLF

# TUBES

LAWN • GARDEN • GOLF



**OTR'S TRANS AMERICAN RUBBER BRAND TUBES** feature 100% butyl rubber for a premium tube solution. Tubes extend tire life, prevent air leakage and add weight for improved traction. Butyl provides distinct advantages for turf equipment:

- Improved shock absorption and ride comfort.
- Excellent weatherability; resistance to heat, moisture and chemical attack.
- Durability; resistant to flexing, abrasion and tearing.

PN	DESCRIPTION	VALVE	TYPE
9B01NB	2.80/2.50-4	TR-87	BIAS
9B02NB	4.10/3.50-4	TR-13	BIAS
9B03NB	4.10/3.50-4	TR-87	BIAS
9B04NB	11X4.00/4.50/6.00-5	TR-87	BIAS
9B05NB	4.10/3.50-5	TR-13	BIAS
9B06NB	4.10/3.50-5	TR-87	BIAS
9B07NB	4.10/3.50-6	TR-13	BIAS
9B09NB	4.10/3.50-6	TR-87	BIAS
9B10NB	13X4.50/5.00/5.30-6	TR-13	BIAS
9B12NB	13X5.00-6	TR-87	BIAS
9B15NB	15X6.00-6	TR-13	BIAS
9B19NB	3.25/3.50-8	TR-13	BIAS
9B32NB	18X7-8	TR-87A	BIAS
9R20NB	5.00/5.70R-8	TR-JS2	RADIAL
9R22NB	4.80R-8	TR-87A	RADIAL
9R24NB	5.00/5.70R-8	TR-13	RADIAL
9R25NB	5.70R-8	TR-87A	RADIAL
9R27NB	16X6.50/7.50R-8	TR-13	RADIAL
9R30NB	18X8.50/9.50R-8	TR-13	RADIAL
9R33NB	21X12.00/22X11.00R-8	TR-6	RADIAL
9R36NB	25X12.00R-9	TR-6	RADIAL
9R39NB	20.5X8R-10	TR-13	RADIAL
9R42NB	23X8.50/9.50R-12	TR-14	RADIAL
9R44NB	26X12.00R-12	TR-15	RADIAL
9R45NB	26X12.00R-12	TR-16	RADIAL
9R48NB	27X9.50/10.50R-12	TR-17	RADIAL
9R60NB	22X8-10	TR-6	RADIAL

## 26 TUBES

PRODUCT SPECIFICATIONS AND AVAILABILITY SUBJECT TO CHANGE WITHOUT NOTICE



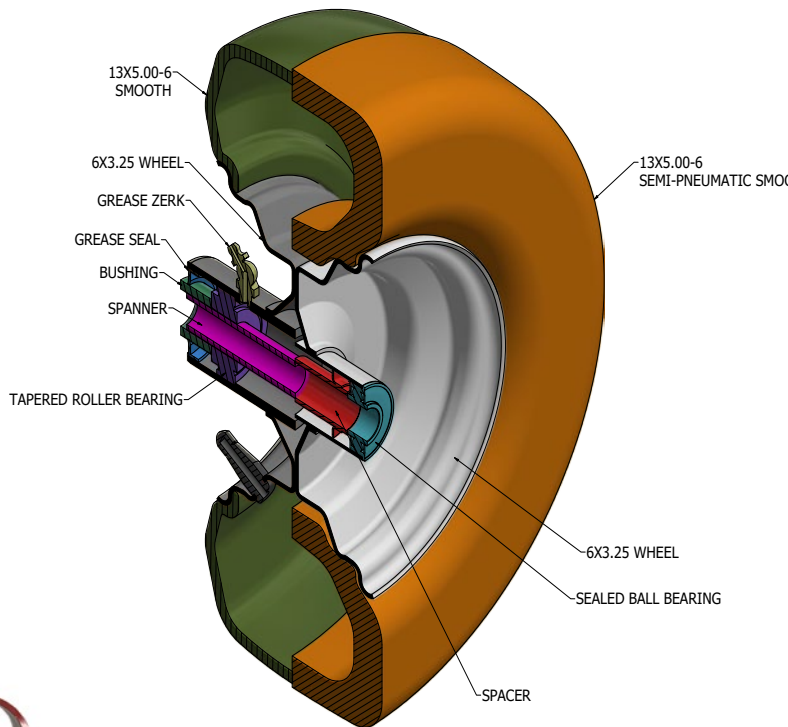
# FORK ASSEMBLIES

LAWN • GARDEN • GOLF

**OTR can design, source, supply and/or assemble front caster wheel and support systems (aka fork assemblies) for turf equipment.**

This assembly includes the support (yoke), bearings, sleeves, tire, wheel and hardware.

LAWN • GARDEN • GOLF



## PRODUCT HIGHLIGHTS

- Custom-designed front tires and wheels; painted and assembled
- Sealed bearing option as alternative to Zerk; maintenance-free, no grease/labor
- Bearing assemblies with NO moving parts (except for dust cap) extends operating life
- Dust caps keep wheel clean, enhance appearance

## SERVICE OPTIONS

- Fork assemblies warehoused, inspected and sequenced from OTR facility
- Reduce SKUs and complexity for OEM
- Assemblies can be racked and staged in OEM facility, freeing up valuable real estate
- Wheels can be greased and tires inflated to OEM specifications by OTR to reduce OEM labor
- OTR can assume purchasing function for all content as a service to OEM customers



Note: Fork assemblies are provided to original equipment manufacturers for volume programs and are not sold as single items for consumer use.



# LAWN • GARDEN • GOLF

# NDX™



## THE TIRE THAT NEVER GOES FLAT.



LAWN • GARDEN • GOLF

- ✓ NDX is designed for zero-turn mowers for zero tear on grass.
- ✓ NDX is sold as a complete assembly — tire, wheel and hardware — for plug & play installation. It replaces the stock vehicle's tires and wheels.

MODEL	REFERENCE	TREAD	TIRE SIZE	WHEEL SIZE
GRASS MASTER	P. 6	TURF	23X10.50-14	14X8.5
GRASS MASTER	P. 6	TURF	24X12.00-14	14X9.3
GRASS MASTER	P. 6	TURF	26X12.00-16	16X9.3
ZERO-T II	P. 8	TURF	24X12.00-14	14X9.3
ZERO-T IIS*	NEW-SEE BELOW	TURF	24X12.00-14	14X9.3
350 MAG	P. 10	UTILITY	25X10.00-14	14X8

\*ZERO-T IIS is a NEW version of our ZERO-T II tire. The "S" version features a squared shoulder for improved traction and grip on steeper slopes, as desired by commercial turf care operators.

NOTE: More tires and wheels will be available. Consult with your OTR salesperson for more information.

## OTR'S GAME-CHANGING, PATENT-PENDING TIRE & WHEEL SYSTEMS LAST OVER 2X LONGER THAN OTHER AIRLESS OPTIONS.

### WHAT MAKES NDX UNIQUE?

- » Looks and behaves like a pneumatic tire, except it's more durable with a higher load-bearing capacity.
- » No air required, no maintenance, no downtime and no loss of productivity.
- » No issue operating in harsh environments; corrosion-resistant assembly.
- » Keeps running even with a puncture thanks to unique construction and high strength.
- » Better value than alternatives in terms of function and pricing.

### REPLACING NDX TIRES

In the event a tire is damaged or worn and the user wishes to replace the tire, it will be possible to purchase a replacement assembly. Instructions will be provided for the tire installer in the near future.

### GAME-CHANGING TECHNOLOGY

NDX's patent-pending design combines multi-layered fabric construction, engineering structural supports, and a unique tread belt that maintains desired curvature. Leveraging premium rubber compounds and a deflection management system, NDX optimizes energy absorption and load distribution for a ride as good if not better than pneumatics. This in turn ensures less jarring and bounce, thereby reducing operator fatigue.

### SUSTAINABILITY PROGRAM

OTR is working on a program that will allow customers to return damaged tires to an authorized facility for recycling, free-of-charge. This environmentally-friendly initiative, called the Green Disposal Program, means there is ZERO PAIN returning used tires!



# POWERSPORTS



**350 SUPER MAG**



**ROCK JAW**



**TRAIL WARRIOR**





# POWERSPORTS

## QUICK REFERENCE GUIDE

POWERSPORTS

### ALL PURPOSE / WORKSITE

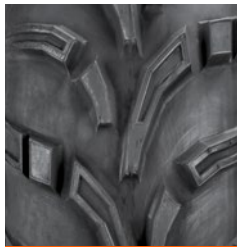
All-purpose tires driven over any terrain and asphalt too, hauling cargo at a jobsite or driving off-road just for fun. OTR's line-up includes tires preferred and used on OEM equipment that are proven with end users. Some of our most popular models—350 Mag, 350 Super Mag and Prowler—are designed specifically for versatility, ruggedness and comfort.



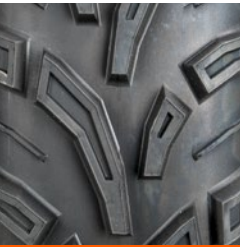
350 MAG 32



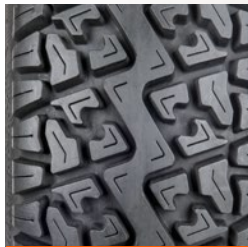
350 SUPER MAG 33



440 MAG 33



TM-440 33



PROWLER 34



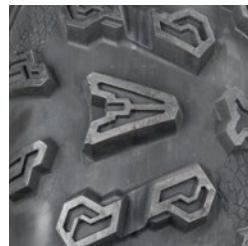
**OTR'S 350 SUPER MAG** is one of our most popular tires. It's hybrid tread design delivers super performance, whether for work or play, with more durability and a comfortable ride.

### ROUGH TERRAIN

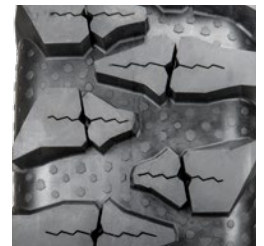
OTR offers tires designed for extreme off-road use, driving on rocks, up mountains or through deep mud, with extraordinary grip and handling. Newer products such as the Dirt Master and Rock Jaw feature innovative tread patterns, with deep lugs, rock ejectors and mud breakers for self-cleaning. Everything the serious off-roader needs.



ROCK JAW 34



BEAST 34



TOMAHAWK 35



BIG FOOT 35



22 MAG 35



# QUICK REFERENCE GUIDE

# POWERSPORTS

## ALL-TERRAIN

All-terrain tires work for any off-road surface. Whether driving through mud, muck, water or sand, tires like the Wizzard, Trail Warrior and HP-009 keep you moving forward, safely and comfortably. These tires were designed for durability, stability, versatility and a smooth ride.



DIRT MASTER 36



WIZZARD 36



WIZZARD R2 37



TRAIL WARRIOR 37



PRO TERRAIN 37



HP-007 38



HP-009 38



250 SWIFT 38

POWERSPORTS



# POWERSPORTS

# 350 MAG

POWERSPORTS

**350 MAG** is one of OTR's best all-around tires, especially for RTV's. Its open, non-directional tread pattern and distinctive diamond-shaped lugs optimize handling and grip, for exceptional performance. It handles heavier loads while providing a comfortable ride, making it a preferred tire for original equipment.



PART #	DESCRIPTION	PR	RIM	PSI	SW	OD	LOAD (LBS) @ 10MPH
T243504166508	16X6.50-8	4	8X5.375	28	6.3	16.02	640@10MPH
T24350618105010	18X10.50-10	6	10X8.5	36	9.92	18.39	1390@10MPH
T2435041885010	18X8.50-10	4	10X7	22	8.07	18.07	1,050@10MPH
T2435061885010	18X8.50-10	6	10X7	32	8.07	18.07	1,050@10MPH
T243506188508	18X8.50-8	6	8X7	30	8.5	17.64	1,170@10MPH
T243506189508	18X9.50-8	6	8X7	34	8.94	18.27	1,050@10MPH
T24350620100010	20X10.00-10	6	10X8	32	9.13	19.57	1,430@10MPH
T2435042010008	20X10.00-8	4	8X7	22	10.04	19.69	1200@10MPH
T24350620120010	20X12.00-10	6	10X8.5	32	10.75	19.69	1,760@10MPH
T2435062080010	20X8.00-10	6	10X6.5	34	7.68	19.61	1,200@10MPH
T24350622110010	22X11.00-10	6	10X8	34	10.83	21.89	1395@10MPH
T24350423105012	23X10.50-12	4	12X8.5	22	10.31	22.91	1390@10MPH
T24350623105012	12X10.50-12	6	12X8.5	22	10.31	22.91	1320 @ 10MPH
T24350423105014	23X10.50-14	4	14X8.5	36	9.72	23.19	1330@10MPH
T24350623105014	23X10.50-14	6	14X8.5	36	9.72	23.19	1870@10MPH
T24350624110012	24X11.00-12	6	12X8.5	22	10.43	24.33	1650@10MPH
T24350624120012	24X12.00-12	6	12X10.5	32	12.09	24.13	2,270@10MPH
T24350624090012	24X9.00-12	6	12X7	22	9.1	23.85	1490@10MPH
T24350625100012	25X10.00-12	6	12X8.5	24	10.2	25.12	1675@10MPH
T24350625100012	25X10.00-12	6	12X8.5	24	10.19	25.11	1675@10MPH
T24350625110012	25X11.00-12	6	12X8.5	24	10.51	25.08	1675@10MPH
T2435062580012	25X8.00-12	6	12X6.5	24	8.28	24.87	1380@10MPH
T2435062590012	25X9.00-12	6	12X8.5	22	8.9	24.88	1445@10MPH
T24350626100014	26X10.00-14	6	14X7	32	10	25.98	2040@10MPH
T24350626110014	26X11.00-14	6	14X9	22	11.02	25.91	1820@10MPH
T24350426120012	26X12.00-12	4	12X10.5	20	12.36	25.12	1760@10MPH
T24350626120012	26X12.00-12	6	12X10.5	30	12.36	25.12	2270@10MPH
T2435062690014	26X9.00-14	6	14X7	20	8.86	26.16	1390@10MPH





# 350 SUPER MAG

## POWERSPORTS



**350 SUPER MAG** shares the same shoulder lugs as the 350 Mag for grip and handling—especially in corners—but adds center tread elements to reduce rolling resistance on hard surfaces, such as asphalt, to reduce noise and improve durability. It's also designed to support higher inflation pressures and heavier loads, making it ideal for the worksite as well.

PART #	DESCRIPTION	PR	RIM	PSI	SW	OD	LOAD (LBS) @ 62MPH
T154062590012H	25X9.00-12	6	12X7	32	8.73	24.85	880
T1540625100012H	25X10.00-12	6	12X8.5	32	9.97	25	965
T1540625110012H	25X11.00-12	6	12X8.5	34	10.75	24.97	1100

# 440 MAG



**440 MAG** delivers a lot of bang, with a design that optimizes traction, stability and ride comfort. Deep lugs—with flat tread blocks—provide excellent traction on soft and hard ground. Lugs are grooved as well, to channel mud and water away from the tire. It's preferred by OEMs and popular tire with end users.

PART #	DESCRIPTION	PR	RIM	PSI	SW	OD	LOAD (LBS) @ 62MPH
T244404166508	16X6.50-8	4	8X5.375	28	6.14	15.98	310
T2444042010008	20X10.00-8	4	8X7	22	10.06	19.84	585
T2444062490012	24X9.00-12	6	12X7	22	8.9	23.7	645
T24440624110012	24X11.00-12	6	12X8.5	22	10.43	24.33	785
T2444062580012	25X8.00-12	6	12X6.5	24	8.03	24.79	660
T24440042590012	25X9.00-12	4	12X8.5	22	9.05	24.88	695
T24440625100012	25X10.00-12	6	12X8.5	24	10.12	25.15	805
T244406251000R12	25X10.00R12	***	12X8.5	24	9.85	25.2	785
T24440625110012	25X11.00-12	6	12X8.5	24	10.83	25.12	885
T244406251100R12	25X11.00R12	***	12X8.5	24	11.7	25.1	885

# TM-440

**TM-440** is a variation of OTR's 440 Mag, with a similarly aggressive tread pattern and angled lugs—scalloped across the top for improved cleaning—and mud breakers on the shoulders. It's equally durable but weighs less making it ideal for worksites.



PART #	DESCRIPTION	PR	RIM	PSI	SW	OD	LOAD (LBS) @ 62MPH
T184042580012	25X8.00-12	4	12X6.5	24	7.68	24.88	665
T1840425100012	25X10.00-12	4	12X7.5	22	9.21	25.3	785

## POWERSPORTS

## PROWLER

**PROWLER** is an exceptional all-purpose tire featuring "V" shaped shoulder lugs with sipes for improved grip, handling and cleaning. It features a center tread element for improved durability on hard surfaces that also reduces road noise. A 6-ply-rated version is available for heavier loading, as required at worksites.



PART #	DESCRIPTION	PR	RIM	PSI	SW	OD	LOAD (LBS) @ 62MPH
T1550423105012	23X10.50-12	4	12X8.5	20	10.28	22.72	665
T1550423105014	23X10.50-14	4	14X8	24	10.24	22.87	715
T1550625100012H	25X10.00-12	6	12X8.5	32	9.88	24.96	965

POWERSPORTS

## ROCK JAW

**NEW  
PRODUCT**



**ROCK JAW** delivers jaw-dropping performance and ruggedness. Its 8-ply rated for ultra-heavy-duty use, with deep angled lugs interspersed with triangle-shaped rock ejectors and mud breakers running across the shoulders. Inspired by feedback from racers and enthusiasts, this is our toughest and most radical tire for the serious off-roader.

PART #	DESCRIPTION	PR	RIM	PSI	SW	OD	LOAD (LBS) @ 62MPH
T19708301000R14	30X10.00R14	8	14X7	44	9.51	30.12	1520

## BEAST

**BEAST** is a ruggedly constructed non-directional tire featuring extra deep alternating "V" and "X" shaped lugs for traction, and grooves in the voids between lugs to channel water away. It's truly a beast in handling rough terrain.



PART #	DESCRIPTION	PR	RIM	PSI	SW	OD	LOAD (LBS) @ 62MPH
T1440626100012	26X10.00-12	6	12X8.5	32	10.2	26.02	990



# TOMAHAWK

## POWERSPORTS



**TOMAHAWK** is one of our best-performing off-road tires, delivering exceptional traction in mud and on rough terrain. Its striking looks, durable construction and aggressive lugs with zig-zag sipes (for improved drainage), ensure maximum grip and comfort. It also features rock and mud ejectors to keep the tire as clean as possible on the trail.

POWERSPORTS

PART #	DESCRIPTION	PR	RIM	PSI	SW	OD	LOAD (LBS) @ 62MPH
T120062580012	25X8.00-12	6	12X6.5	34	8.2	25.23	825
T1200625100012	25X10.00-12	6	12X8	32	9.83	24.98	965
T120062790014	27X9.00-14	6	14X7	32	8.76	27.01	965
T1200627110014	27X11.00-14	6	14X9	32	11.12	26.92	1155
T1200630100014	30X10.00-14	6	14X7	32	10.39	30.21	1230

# BIG FOOT

**BIG FOOT** is an aggressive-looking tire with ultra-deep lugs and a low void-to-tread ratio that makes ideal for driving over rough terrain. It's not only rugged and long-lasting, it performs extraordinarily well in mud and water, ensuring maximum grip and stability.



PART #	DESCRIPTION	PR	RIM	PSI	SW	OD	LOAD (LBS) @ 25MPH
T60048320	8.3X20	6	20X7	34	9.49	35	1235 @25MPH

# 22 MAG



**22 MAG** is a versatile tire with a bar tread design for improved traction and stability on a variety of surfaces. It's plenty durable for rough terrain, capable of supporting heavier loads if used at a worksite, making it a good value for the money.

PART #	DESCRIPTION	PR	RIM	PSI	SW	OD	LOAD (LBS) @ 62MPH
T2404222111008	21X11.00-8	4	8X8.5	22	10.9	21.2	660
T24042222110010	22X11.00-10	4	10X8.5	22	10.8	22	715
T240422225110010	22.5X11.00-10	4	10X8.5	22	10.8	22.2	740



# POWERSPORTS

# DIRT MASTER

POWERSPORTS

**DIRT MASTER** is one of our best all-around off-road tires. Its "V" shaped embossed tread blocks improve grip in mud; overlapping center lugs ensure a smooth, quiet ride, even on hard surfaces. Grooves in the voids between lugs—running across the tire's shoulders—channel water and mud away to maintain grip and handling at all times.



PART #	DESCRIPTION	PR	RIM	PSI	SW	OD	LOAD (LBS) @ 62MPH
T1870626900R14	26X9.00R14	6	14X6	32	8.27	26.18	910
T18706261100R14	26X11.00R14	6	14X8	34	10.47	26.32	1140
T1870627900R14	27X9.00R14	6	14X6.5	34	9	27	985
T18706271100R14	27X11.00R14	6	14X8	34	11	27	1200
T1870629800R15	29X8.00R15	6	15X6	32	7.72	29.32	980
T18706291000R15	29X10.00R15	6	15X7.5	32	9.78	29.51	1140

# WIZZARD



**WIZZARD** is a popular all-terrain tire featuring a center tread element for better stability on hard surfaces, and deep "V" shaped shoulder lugs for sidewall protection and self-cleaning. It's a proven race tire, delivering excellent traction and tire life, with a design that soaks up shock and vibration.

PART #	DESCRIPTION	PR	RIM	PSI	SW	OD	LOAD (LBS) @ 62MPH
T114062690014	26x9.00-14	6	14x7	32	8.15	25.91	910
T1140626900R14	26x9.00R14	6	14x7	32	8.46	26.22	910
T1140626110014	26x11.00-14	6	14x9	34	10.47	26.06	1140
T11406261100R14	26x11.00R14	6	14x9	34	10.75	26.1	1140
T1140627900R14	27x9.00R14	6	14x7	14	8.66	26.97	590
T2080627900R14P	27x11.00R14	6	14x8	34	11	27	1200
T1140628900R14	28x9.00R14	6	14x7	32	9	28	1020
T11406281000R14	28x10.00R14	6	14x7	32	10	28	1140
T11406281100R14	28x11.00R14	6	14x8	34	11	28	1230



# WIZZARD R2

## POWERSPORTS



**WIZZARD R2** is a variation of the popular Wizzard, featuring distinctive “W” shaped shoulder lugs, mud breakers and heavy-duty radial construction. It weighs less but it's durable and long-lasting, making it an ideal tire for side-by-side owners, whether used recreationally or in racing.

PART #	DESCRIPTION	PR	RIM	PSI	SW	OD	LOAD (LBS) @ 62MPH
T1830626900R12P	26X9.00R12	6	12X7	32	9.02	26.1	935
T18306261000R12P	26X10.00R12	6	12X8.5	32	10.08	26.14	990
T1830627900R12	27X9.00R12	6	12X7	32	8.86	27.01	990
T18306271100R12	27X11.00R12	6	12X8.5	34	10.31	27.24	1230
T1830627900R14	27X9.00R14	6	14X7	32	8.62	27.17	965
T18306271100R14	27X11.00R14	6	14X8	34	10.31	27.51	1200
T1830628900R14	28X9.00R14	6	14X7	32	8.72	28.2	1020
T18306281100R14	28X11.00R14	6	14X8	34	10.45	28.2	1230

POWERSPORTS

# TRAIL WARRIOR

**TRAIL WARRIOR** is a rugged directional tire with an 8-ply rating for extra load capacity and durability. Its deep, siped lugs—positioned on the tire's shoulders—combined with radial construction and flexible sidewalls, improve traction while reducing rolling resistance. It's an exceptional multi-terrain tire for serious off-roaders and recreational use as well.



PART #	DESCRIPTION	PR	RIM	PSI	SW	OD	LOAD (LBS) @ 62MPH
T1670827900R14P	27X9.00R14	8	14X7	42	9.09	27.04	1140
T16708271100R14P	27X11.00R14	8	14X8	46	11	27	1430
T16708301000R14P	30X10.00R14	8	14X8	44	10.2	30.04	1520
T16708301000R15P	30X10.00R15	8	15X8	44	10	30.14	1480

# PRO TERRAIN



**PRO TERRAIN** is the pro's choice for a UTV directional tire; it delivers the perfect blend of traction, responsiveness and self-cleaning. Deep lugs with siped ends, coupled with grooved lines in the space between that serve as mud breakers, improve grip and handling, whether driving in mud, through water or on rock.

PART #	DESCRIPTION	PR	RIM	PSI	SW	OD	LOAD (LBS) @ 62MPH
T1590426100012	26X10.00-12	4 & 6	12X7	22 & 32	10.04	26.02	725 & 990
T1590426100014	26X10.00-14	4 & 6	14X7	22 & 32	9.8	25.91	785 & 990



## POWERSPORTS

### HP-007

**HP-007** is a directional off-road tire using deep "V" shaped lugs wrapped around the shoulders and across the contact patch, to optimize traction and handling in corners. Shoulder lugs feature an open top that makes the tire self-cleaning, which in turn improves grip while driving in mud.



PART #	DESCRIPTION	PR	RIM	PSI	SW	OD	LOAD (LBS) @ 62MPH
T2400742580012L	25X8.00-12	4	12X6.5	24	7.55	25.18	660
T24007425100012L	25X10.00-12	4	12X8.5	22	9.03	25.03	785

POWERSPORTS

### HP-009



**HP-009** is tough and durable, with an optimized lug-to-void ratio for improved traction and cornering. It's mud breakers, makes it popular for ATV owners and racers alike.

PART #	DESCRIPTION	PR	RIM	PSI	SW	OD	LOAD (LBS) @ 62MPH
T2400962790012	27X9.00-12	6	12X7	18	8.73	26.87	710
T24009627110012	27X11.00-12	6	12X9	18	11.18	27.09	835
T2400962790014	27X9.00-14	6	14X7	18	8.7	27.24	680
T24009627110014	27X11.00-14	6	14X9	18	11.02	26.97	825
T24009627900R14P	27X9.00R14	6	14X7	18	8.7	27.24	680
T24009627900R14P	27X11.00R14	6	14X9	18	11.02	26.97	825

### 250 SWIFT

**250 SWIFT** is a multi-purpose UTV tire with a cleated lug design for improved traction and cleaning, especially in mud. It features a stiffer sidewall, with a 6-ply version for additional load-bearing capacity.



PART #	DESCRIPTION	PR	RIM	PSI	SW	OD	LOAD (LBS) @ 62MPH
T2425042211008	22X11.00-8	4	8X9	22	11.18	21.81	715
T24250422110010	22X11.00-10	4	10X8.5	22	10.63	21.97	715
T24250625100012	25X10.00-12	6	12X8.5	24	10.16	25.16	805



# WHEELS

# POWERSPORTS

**OTR DESIGNS AND MANUFACTURES CUSTOM STEEL WHEELS** for original equipment manufacturers for ATVs, UTVs, RTVs and side-by-side vehicles. We also supply wheels for select vehicles, the NEVER DOWN line (complementing the tire that NEVER goes flat with styled wheels), and golf carts (See Lawn, Garden & Golf section).



OTR custom 14" and 15" wheels for UTV applications--available for aftermarket use.

POWERSPORTS



In addition to manufacturing custom wheels, OTR also wet paints and powder coats wheels per OEM standards.

**INTERESTED IN LEARNING MORE? CONTACT YOUR OTR SALESPERSON.**

# POWERSPORTS

# NDX™



## THE TIRE THAT NEVER GOES FLAT.

- √ NDX is designed for utility vehicles driving on rough terrain.
- √ NDX is sold as a complete assembly — tire, wheel and hardware — for plug & play installation. It replaces the stock vehicle's tires and wheels.



POWERSPORTS

MODEL	REFERENCE	TREAD	TIRE SIZE	WHEEL SIZE
350 MAG	P. 6	UTILITY	25X10.00-14	14X8
350 MAG	P. 6	UTILITY	25X9.00-14	14X7
350 SUPER MAG	P. 6	UTILITY	25X9.00-14	14X7
350 SUPER MAG	P. 6	UTILITY	26X10.00-16	16X9.3
DIRT MASTER	P. 10	UTILITY	27X9.00-16	16X7
WIZZARD	P. 10	UTILITY	27X10.00-16	16X9

NOTE: More tires and wheels will be available. Consult with your OTR salesperson for more information.

## OTR'S GAME-CHANGING, PATENT-PENDING TIRE & WHEEL SYSTEMS LAST OVER 2X LONGER THAN OTHER AIRLESS OPTIONS.

### WHAT MAKES NDX UNIQUE?

- » Looks and behaves like a pneumatic tire, except it's more durable with a higher load-bearing capacity.
- » No air required, no maintenance, no downtime and no loss of productivity.
- » No issue operating in harsh environments; corrosion-resistant assembly.
- » Keeps running even with a puncture thanks to unique construction and high strength.
- » Better value than alternatives in terms of function and pricing.

### REPLACING NDX TIRES

In the event a tire is damaged or worn and the user wishes to replace the tire, it will be possible to purchase a replacement assembly. Instructions will be provided for the tire installer in the near future.

### GAME-CHANGING TECHNOLOGY

NDX's patent-pending design combines multi-layered fabric construction, engineering structural supports, and a unique tread belt that maintains desired curvature. Leveraging premium rubber compounds and a deflection management system, NDX optimizes energy absorption and load distribution for a ride as good if not better than pneumatics. This in turn ensures less jarring and bounce, thereby reducing operator fatigue.

### SUSTAINABILITY PROGRAM

OTR is working on a program that will allow customers to return damaged tires to an authorized facility for recycling, free-of-charge. This environmentally-friendly initiative, called the Green Disposal Program, means there is ZERO PAIN returning used tires!





# CONSTRUCTION



**LIFTBOSS**  
FOR TELEHANDLER



**MUDSHARK R4**



**G2 HYBRID**





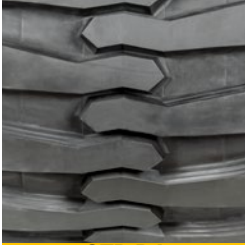
# CONSTRUCTION

# QUICK REFERENCE GUIDE

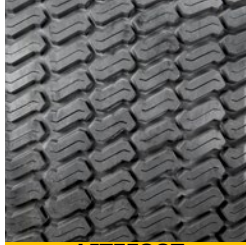
CONSTRUCTION



**COMING SOON:**  
SNOW TIRES (P. 26)



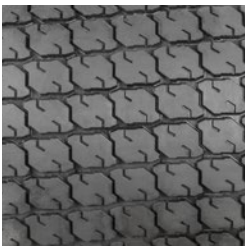
**OTR R4**  
PAGE 44



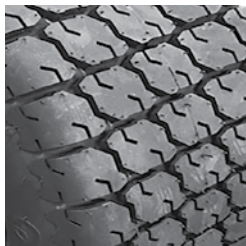
**LITEFOOT**  
PAGE 45



**STABILIZER®/D304**  
PAGE 45



**SAND MASTER**  
PAGE 46



**LITEFOOT PRO**  
PAGE 46



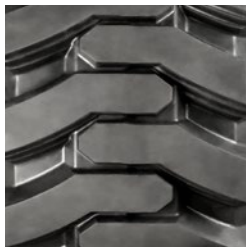
**TX-90**  
PAGE 46



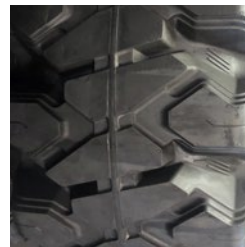
**WEARMASTER®**  
PAGE 47



**SKS-1**  
PAGE 47



**SOLIDBOSS® R4**  
PAGES 48-49



**SOLIDBOSS® HD**  
PAGE 49



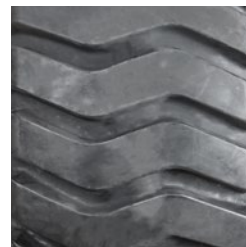
**P355**  
PAGE 49



**LIFTBOSS FOR TELEHANDLER**  
PAGE 50



**GRADER**  
PAGE 50



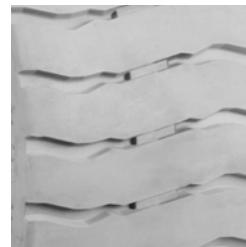
**E3**  
PAGE 51



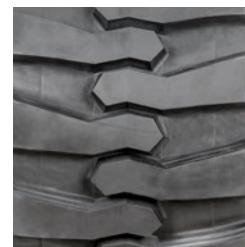
**HEATMASTER**  
PAGE 51



**NON-MARKING TIRES**  
PAGE 52



**SCISSOR LIFT TIRES**  
PAGE 52

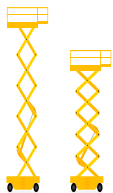


**R4 HD**  
PAGE 53



# QUICK REFERENCE GUIDE

# CONSTRUCTION



CONSTRUCTION

TIRE MODEL	AWP	TELEHANDLER	SKID-STEER	BACKHOE	LOADER	GRADER	PAVING	NON-MARKING
OTR R4								
LITEFOOT								
STABILIZER®/D304								
SAND MASTER								
LITEFOOT PRO								
TX-90								
WEARMASTER®								
SKS-1								
P355								
SOLIDBOSS®								
LIFTBOSS FOR TELEHANDLER								
GRADER								
E3								
HEATMASTER								
NON-MARKING TIRES								
SCISSOR LIFT TIRES								
R4 HD								

Note: Applications above are for reference only, consult with your OTR salesperson to verify the best fitment options for your specific application(s).

### FOAM-FILL AND WHEEL EXCHANGE PROGRAM

OTR's offers a foam-fill and wheel exchange program to qualified dealers who service rental companies and end users who require immediate replacements for damaged tires. Dealers stock finished assemblies for replacement parts and draw from this stock to replace tires on a real-time basis. Wheels are retrieved, inspected and recirculated as needed. Tires are filled with an OEM-approved resin at an OTR facility, using a proven process so there is no chunking or air pockets which can lead to premature failure. Additionally, OTR has launched a portal to facilitate the end customer's ordering through the dealer/service provider, to provide a user-friendly closed-loop solution.





# CONSTRUCTION

# OTR R4

CONSTRUCTION

**OTR R4** is OTR's market-leading construction tire, featuring deep lugs for maximum grip, handling and self-cleaning; rim guards; reinforced bead; and heavy-duty sidewalls for durability and protection from cuts and punctures. Its tread design enhances stability and safety, while ensuring productivity and utilization—the perfect combination for rental companies and fleets.



PART #	DESCRIPTION	PR	RIM	PSI	SW	OD	LOAD
T23751615625	15-625 385/50D625	16	24.5X13	100	40.1	15.2	12,300@5MPH
T23751618625	18-625 445/45D625	16	24.5X15	100	40.9	16.9	15,200@5MPH
T23751231520	315/55D20	12	20X11	80	33.7	12.5	6,320@10MPH
T237514355625	355/55D625	14	24.5X11.75	75	37	13.8	7,600@10MPH
T237516385195	385/65D19.5	16	19.5X11.75	80	40	15.3	10880@10MPH
T237516385225	385/65D22.5	16	22.5X11.75	100	42.5	15.4	12,300@5MPH
T237518445710	445/50D710	18	28X15	85	46.8	17.5	16,100@5MPH

# LiftBoss ND-226 NON DIRECTIONAL



PART #	DESCRIPTION	PR	RIM	PSI	TT / TL	SW	OD
T2261435555D625	355/55D625 ND-226	14	24.5X11.75	75	TL	14.12	36.73

# LiftBoss D228 R4

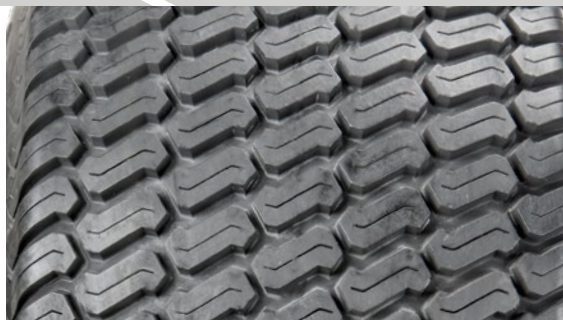


PART #	DESCRIPTION	PR	RIM	PSI	TT / TL	SW	OD
T2281435555D625	355/55D625 D228	14	24.5X11.75	75	TL	14.02	36.82



# LITEFOOT

# CONSTRUCTION



**LITEFOOT** is ideal utility for aerial work platforms, providing superior traction in sandy conditions with a tread that's turf-friendly. It's ideal for smaller equipment, delivering excellent performance and value.

CONSTRUCTION

PART #	DESCRIPTION	PR	RIM	PSI	SW	OD	LOAD
T406231050360	23X10.50-360	6	14X8	40	9.38	23.2	1320@10MPH
TR4102612430	26X12D430	10	17X10	70	11.81	25.94	5680@5MPH
TR4102612430NM*	26X12D430	10	17X10	70	11.81	25.94	5680@5MPH
TR4102612460	26X12D460	10	18X10	70	11.46	25.91	5520@5MPH
TR4102612460NM*	26X12D460	10	18X10	70	11.54	25.91	5520@5MPH
TR4123312610	33X12D610	12	24X10	80	11.65	32.99	5360@5MPH
TR4123312610NM*	33X12D610	12	24X10	80	11.65	32.99	5360@5MPH
TR410331550165	33X15.50-16.5	10	16.5X12	40	15.39	32.88	4555@10MPH
TR410331550165NM*	33X15.50-16.5	10	16.5X12	40	15.39	32.88	4555@10MPH

\*NM NON MARKING TIRE

# STABILIZER® / D304

**STABILIZER** features a directional R4 tread with wide lugs for maximum surface contact. It's self-cleaning, with a reinforced sidewall for protection, designed for high-performance especially in mud, sand and gravel.



PART #	DESCRIPTION	PR	RIM	PSI	SW	OD	LOAD
T3042785015	27X8.50-15	8	15X6	45	8.5	26.97	2120 @ 5MPH
T30410165	10-16.5	10	16.5X8.25	75	10.59	30.63	4710@5MPH
T30412165	12-16.5	12	16.5X9.75	75	12.59	33.03	6320@5MPH
T13910105818	10.5/80-18	10	18X9	53	10.79	34.84	1091@5MPH
T139161258018	12.5/80-18	16	18X9	71	12.13	37.99	8,525@5MPH

# CONSTRUCTION

## SAND MASTER



**SAND MASTER** flotation tires are designed to ensure stability and traction while operating on soft ground, with a tread pattern that minimizes turf damage. Grooved shoulders and lugs channel water away, improving grip on wet ground.

PART #	DESCRIPTION	PR	RIM	PSI	SW	OD	LOAD
T11143618625	36X18LL625	14	625X15	75	17.91	36.3	14,300@5MPH
T111250150028	50X15.00-28	12	28X12	65	15.12	49.65	13,600@5MPH
T111250180028	50X18.00-28	12	28X15	65	15.12	49.65	17,600@5MPH
T11144118225	41X18LL.225	14	22.5X14	50	19.71	42.24	9200@10MPH
T11204118225	41X18LL.225	20	22.5X14	80	20.77	41.86	14,800@10MPH

## LITEFOOT PRO



**LITEFOOT PRO** is a flotation tire designed for driving on soft surfaces, delivering excellent traction and a smooth ride that won't damage turf.

PART #	DESCRIPTION	PR	RIM	PSI	SW	OD	LOAD
T2091012165	12-16.5	10	16.5X9.75	65	12.68	32.91	5600@5MPH

## TX-90

**TX-90** Features the newest developed "Multi-Purpose" design, providing the optimal efficiency for Telehandler and Pay Loader uses. TX-90 specially designed casing and tread pattern minimizes stress on the tire, increasing its reliability and extending its product life cycle. The Flat and Wide tread design provide greater stability, excellent treadwear and operator comfort on hard surfaces.



PART #	DESCRIPTION	PR	RIM	PSI	SW	OD	LOAD
T19314140024	14.00-24	14	24X9	14	14.24	52.46	15200@5MPH
T1931617525	17.5-25	16	25X14	75	18.05	51.43	17,000 @ 5MPH
T1932017525	17.5-25	20	25X14	83	18.05	51.53	11,000 @ 30MPH



# WEARMASTER®

## CONSTRUCTION



**WEARMASTER** is heavy-duty non-directional tire with deep lugs for added traction and stability, especially on rough terrain and mud. It's self-cleaning, with reinforced sidewalls and a rim guard for added protection.

PART #	DESCRIPTION	PR	RIM	PSI	SW	OD	LOAD
T21010165	10-16.5	10	16.5X8.25	75	10.5	31.5	4710@5MPH
T21212165	12-16.5	12	16.5X9.75	80	12.375	32.38	6320@5MPH
T21414175	14-17.5	14	17.5X10.5	75	13.7	36.57	8540@5MPH
T21415195	15-19.5	14	19.5X11.75	80	15.3	40.1	10060@5MPH

CONSTRUCTION

**WEARMASTER** is a well-known OTR off-road tire used by OEMs and the U.S. military. Its rugged design and heavy-duty construction ensure this tire gets the job done.

# SKS-1



**SKS-1** is a premium directional tire designed for aerial work platforms. It features herringbone-shaped lugs for improved traction and reinforced sidewalls for protection from cuts and punctures.

PART #	DESCRIPTION	PR	RIM	PSI	SW	OD	LOAD
T891010165	10-16.5	10	16.5X8.25	75	10.56	30.51	4710@5MPH
T891212165	12-16.5	12	16.5X9.75	80	11.89	32.69	6320@5MPH



# CONSTRUCTION



**SOLIDBOSS®** aperture tires are designed with the operator in mind, reducing downtime from flats while improving stability and handling. These tires last longer than standard pneumatic tires which in turn reduces life cycle cost. Plus, they ensure a smooth “bounce free” ride on rough terrain, compliments of cushioning apertures that absorb shock. Designed especially for telehandlers, skid-steers and heavy-duty equipment, SolidBoss tires are preferred by leading OEMs.



CONSTRUCTION

PART #	DESCRIPTION	TIRE FITMENT	TREAD	BP	SW	OD	TREAD DEPTH	LOAD@25KMH
PSG57012SE5H	5.70-12	5.70-12	R4	5 ON 4.5	5.7	22	42/32	2860
PSG301016SE8H.875	30X10-16	10-16.5	R4	8 ON 8	9	30	50/32	4850
PFG301016SKS8H	30X10-16	10-16.5	R4	8 ON 8	9	30	50/32	4850
PSG301016SE68H	30X10-16 HD	10-16.5	L5	8 ON 8	9	30	50/32	4850
PFG301016NMSKS8H	30X10-16 NONMARKING	10-16.5	R4	8 ON 8	9	30	50/32	4850
PSG311020SE58H	31X10-20	10-16.5	R4	8 ON 8	9	31	50/32	4850
PFG331220SKS8H	33X12-20	12-16.5	R4	8 ON 8	9	33	50/32	4850
PSG331220SE8H	33X12-20	12-16.5	R4	8 ON 8	11	33	50/32	8113
PSG331220SEBC8X10.75	33X12-20	12-16.5	R4	8 ON 10.75	11	33	50/32	8113
PSG331220SE68H	33X12-20 HD	12-16.5	L5	8 ON 8	11	33	50/32	8113
PFG331220NMSKS8H	33X12-20 NONMARKING	12-16.5	R4	8 ON 8	11	33	50/32	8113
PXG331220BHL1H	33X12-20 SKYJACK/GEHL/JCB/GENIE5519/JLG G5-18A	12-16.5	R4	8 ON 10.83	11	33	50/32	8113
PSG331220SEBH8X10.83	33X12-20 4WD BACKHOE JD/CASE	12-16.5	R4	8 ON 10.83	11	33	50/32	8113
PSG361420SE8H1.5	36X14-20	14-17.5	R4	8 ON 8	13.8	36.7	83/32	7260
PSG361420SEBC8X10.75	36X14-20	14-17.5	R4	8 ON 10.75	13.8	36.7	83/32	7260
PSG361420SE8X10.83	36x14-20	36x14-20	R4	8 ON 10.83	13.8	36.7	83/32	7260
PXG150020	15.00-20	15.00-20	R4	8 ON 10.83	13.8	36.2	96/32	8820
PSG130024D50	13.00-24	13.00-24	R4	10 ON 13.18	12	50	91/32	14990
PFG130024	13.00-24	13.00-24	R4	10 ON 13.18	12	50	91/32	14990
PSG130024G844	13.00-24 GENIE	13.00-24	R4	8 ON 10.83	12	50	91/32	14990
PSG130024D505H	13.00-24 JCB	13.00-24	R4	5 ON 13.19"	12	50	91/32	14990
PFG1300245H	13.00-24 JCB	13.00-24	R4	5 ON 13.19"	12	50	91/32	14990
PSG140024	14.00-24 JLG SKYJACK GEHL	14.00-24	R4	10 ON 13.18	14	53	91/32	17630
PFG140024	14.00-24	14.00-24	R4	10 ON 13.18	14	53	91/32	17630
PSG1400245H	14.00-24 JCB	14.00-24	R4	5 ON 13.19"	14	53	91/32	17630
PFG1400245H	14.00-24 JCB	14.00-24	R4	5 ON 13.19"	14	53	91/32	17630
PHG130028D	13.00-28	13.00-28	R4	10 ON13.18	12.5	50.2	96/32	11800
PHG130028ND	13.00-28	13.00-28	ND	10 ON 13.18	12.5	50.2	96/32	11800
PHG130028NMD	13.00-28 NM	13.00-28	R4	10 ON13.18	12.5	50.2	96/32	11800
PHG130028NMND	13.00-28 NM	13.00-28	ND	10 ON 13.18	125	50.2	96/32	11800
PHG130028DSK	13.00-28 Bevel	13.00-28	R4	10 ON13.18	12.5	50.2	96/32	11800
PHG130028NDSK	13.00-28 Bevel	13.00-28	ND	10 ON 13.18	12.5	50.2	96/32	11800
PHG140028D	14.00-28	14.00-28	R4	10 ON13.18	13.7	52	96/32	15550
PHG140028ND	14.00-28	14.00-28	ND	10 ON 13.18	13.7	52	96/32	15550
PHG140028NMD	14.00-28 NM	14.00-28	R4	10 ON13.18	13.7	52	96/32	15550
PHG140028NMND	14.00-28 NM	14.00-28	ND	10 ON 13.18	13.7	52	96/32	15550
PHG140028DSK	14.00-28 Bevel	14.00-28	R4	10 ON13.18	13.7	52	96/32	15550
PHG140028NDSK	14.00-28 Bevel	14.00-28	ND	10 ON 13.18	13.7	52	96/32	15550
PHW8502810HTA	15.5-28	14.00-28	R4	10 ON 13.18	15.5	51.5	96/32	12800
PHW8502810HNDTA	15.5-28	14.00-28	ND	10 ON 13.18	15.5	51.5	96/32	12800





**CONSTRUCTION**



**CONSTRUCTION**

PART #	DESCRIPTION	MACHINE TYPE	PHOTO REF:	TREAD PATTERN
PST17525SW	17.5-25	LOADER	C	SW
PST20525SW	20.5-25	LOADER	C	SW
TBA	20.5-25	LOADER	D	SMOOTH
PST23525SW	23.5-25	LOADER	C	SW
TBA	23.5-25	LOADER	D	SMOOTH
PST26525SW	26.5-25	LOADER	C	SW
TBA	26.5-25	LOADER	D	SMOOTH
PST29525SW	29.5-25	LOADER	C	SW
PST356533S2C2	35/65-33	LOADER	B	S2C2
TBA	18.00-33	HAUL TRUCK	A	S2C2
PST240035S2C2	24.00-35	HAUL TRUCK	A	S2C2

**SOLIDBOSS®**

SolidBoss® is the gold standard by which solid tires are judged, according to OEM customers, fleets and rental companies. SolidBoss' tires use proprietary compounds for long wear life, offering high elasticity to reduce chunking. Durable and tough, these tires are ideal for extreme operating conditions in construction markets.



**NEW 28" TELEHANDLERS TIRES, FROM SOLIDBOSS**

SolidBoss' new 28" low-profile telehandler tires are available with R4 and heavy-duty non-directional tread patterns as direct replacements for 13.00-24 and 13.00-28 tires. These solid tires' profile allow for a 4" larger wheel, which in turn enhances stability. **NON-MARKING VERSIONS AVAILABLE.** Contact your OTR salesperson for more details.

**P355**

**P355** is a directional tire with deep lugs and high flotation characteristics for improved off-road traction and handling. Its lug design reduces wear on hard surfaces, while enhancing self-cleaning.



PART #	DESCRIPTION	PR	RIM	PSI	SW	OD	LOAD
T5062385012	23X8.50-12	6	12X7	50	8.31	22.72	1810@5MPH



# CONSTRUCTION

## LiftBoss FOR TELEHANDLER

CONSTRUCTION

**LIFTBOSS FOR TELEHANDLER**—as the name suggests—is ideal for construction and material handling jobs, boasting a larger footprint and flat tread blocks that reduce wear on asphalt, concrete and gravel. It's rugged and durable, with improved flotation characteristics for using off-road, with a reinforced sidewall and rim guard for added protection.



**LiftBoss**  
AN  BRAND

PART#	DESCRIPTION	PR	RIM	PSI	SW	OD	LOAD
LBT143702528	370/75-28	14	28X11	73	14.41	50.47	12,000@5MPH
LBT144007528	400/75-28	16	28X12	65 & 76	15.16	51.91	14,300@5MPH

## GRADER/TELEHANDLER TG-09



**GRADER** is a multi-purpose directional tire with an G2/L2 (grader-loader) specific tread pattern for heavy-duty use. Its herringbone-style lugs provide excellent traction, stability and durability, with a self-cleaning design.

PART #	DESCRIPTION	PR	RIM	PSI	SW	OD	LOAD
T5212130024	13.00-24	12	24X9	44/65	14.38	49.9	6,000@25MPH/12,300@5MPH
T5216130024	13.00-24	16	24X9	54/87	14.38	49.9	7,150@25MPH/14,300@5MPH
T5212140024	14.00-24	12	24X9	36/62	15.25	52.02	6,800@25MPH/13,900@5MPH
T5216140024	14.00-24	16	24X9	51/83	15.25	52.02	8,250@25MPH/16,500@5MPH



# E3

# CONSTRUCTION



**E3** is an extra-wide all-purpose tire designed for long wear life, with deep lugs running shoulder-to-shoulder for improved grip and handling, as well as self-cleaning. Ply-ratings range from 20-28, making this an excellent solution for heavy loads.

CONSTRUCTION

PART #	DESCRIPTION	PR	RIM	PSI	SW	OD	LOAD
T1391215525P	15.5-25	12	25X12	36	15.51	50.31	7,150@30MPH
T1391617525	17.5-25	16	25X14	44	17.52	53.07	9,350@30MPH
T1392017525	17.5-25	20	25X14	58	17.34	53.95	11,000@30MPH
T392420525	20.5-25	24	25X17	76	20.5	58.7	22700@10MPH
T392023525	23.5-25	20	25X19.5	54	23.4	63.6	24000@10MPH
D3132423525	23.5-25	24	25X19.5	69	23.27	63.87	27,600@5MPH
T392426525	26.5-25	24	25X22	58	26.5	68.9	30900@10MPH
T392826525	26.5-25	28	25X22	-	29.5	66.9	30900@10MPH
T1082829525	29.5-25	28	25X25	62	30.24	73.86	44,100@5MPH

# HEATMASTER

**HEATMASTER** tires are designed for severe-duty applications such as paving, with exceptional high-heat resistance and grooved tread pattern for stability and grip. It's an ultra-heavy-duty tire capable of performing well under extreme loads.



PART #	DESCRIPTION	PR	RIM	PSI	OD	SW	LOAD
T612160024	16.00-24DT	12	24X10VA	35	58.5	18.2	9100@5MPH
T616160024	16.00-24DT	16	24X10VA	48	55.8	17.9	17,500@10MPH
T616180025	18.00-25	16	25X13/2.5	40	58.31	19.45	22,000@5MPH
T628180025	18.00-25	28	25X13/2.5	94	58.62	19.53	30,000@5MPH
T6161800LL35P	18.00LL35	16	OTR35X14LAR	40	59	19	19,700@5MPH
T628210025	21.00-25	28	25X15/3.0	76	65.5	24.7	43,000@5MPH
T6282100LL35	21.00LL35	28	35X15/3.0	76	65.5	24.7	50,700@5MPH
T63429525	29.5-25	34	25X25/3.5	76	71.7	27	38600@5MPH
T658360051	36.00-51	58	51X26/5.0	76 98	121	38.9	91,000@30MPH 156,500 @ 5 MPH
T676400057	40.00-57	76	57X29/6.0	91 120	138.8	43.2	128,000@ 30MPH 220,500@5MPH



## CONSTRUCTION

# NON-MARKING TIRES

CONSTRUCTION

### PNEUMATIC AIR-FILLED NON-MARKING

versions of popular OTR construction equipment tires are available. OTR's design is patented as a proven solution for end customers who require non-marking in point of use.



PART#	DESCRIPTION	TIRE SERIES	PR	RIM	PSI	SW	OD	LOAD
TR4102612460NM	26X12D460	LITEFOOT	10	18X10	70	11.54	25.91	5520@5MPH
TR4123312610NM	33X12D610	LITEFOOT	12	24X10	80	11.65	32.99	5360@5MPH
104711801	13.00-24	TG-09	12	24x9	65	14.38	49.9	12,300@5MPH
104711841	14.00-24	TG-09	12	24x9	62	15.25	52.02	10,700@5MPH

## SCISSOR LIFT



**SCISSOR LIFT TIRES** are available in various sizes for popular OEM applications. Tires are solid and mold-on type with non-directional and non-marking treads.

PART#	SIZE	PR	RIM	PSI	SW	OD	LOAD
57998AWP	10X3	-	-	-	3	10	1940@5MPH
108020-L1	12X4	-	-	-	4	12.2	1500@5MPH
108022(WITH BRAKE)	12X4	-	-	-	4	12.2	1500@5MPH
105122AWP	12X4.5	-	-	-	4.5	12	2134@6MPH
100100840	12.7X4	-	-	-	36.66	12.71	3026@5MPH
96252AWP	15X5	-	-	-	5	15	2850@6MPH
100100894	16X5	-	-	-	4.76	15.98	4433@5MPH
94908AWP	22X7	-	-	-	7	22	5500@5MPH
94909AWP	22X7	-	-	-	7	22	5500@5MPH



# CONSTRUCTION

## R4 HD



**R4 HD** is a multi-purpose tire with a deep lug design and tread pattern designed to balance traction with off-road and hard-surface performance. It's ultra-durable, with a rim guard to protect the wheel.

PART #	DESCRIPTION	PR	RIM	PSI	SW	OD	LOAD
T1211231155015	31X15.50-15	12	15X13	60	15.06	31.24	4940@10MPH

CONSTRUCTION



## TrackBoss®

**TRACKBOSS®** brand rubber tracks are available for a variety of machines in popular sizes and patterns. Known for excellent wear life with continuous steel cording, TrackBoss is a great fit for your machine. Whether you're considering tracks for construction, agricultural, or military applications, TrackBoss® has the right track for your application.



PART #	TRACK SIZE	MAKE	MODEL	TREAD TYPE
RT320-86-52TP	320 X 86 X 52	TAKEUCHI	TL130/MTL16/CTL60	HALF C
RT450-81-76W	450X81X76	TAKEUCHI	TB175	BAR
RT320-86-52-B	320 X 86 X 52	BOBCAT	T630	BLOCK
RT450-86-55	450 X 86 X 55	BOBCAT	T250 & T300	HALF C
RT320-86-49	320 X 86 X 49	BOBCAT	T180 & T190	BLOCK
RT320-84-50B	320X84X50	BOBCAT	T90	TRACK BAR
RT400-72.5-74WBOB	400 X 72.5 X 74	BOBCAT	E45	BIG BAR
RT320-86-50	320 X 86 X 50	CASE	TR270	HALF C

NOTE: Additional track sizes available, contact your OTR salesperson for more information.

### TRACKBOSS®

TrackBoss® tracks are produced to OEM standards using high-quality materials. Tough and long lasting, TrackBoss tracks are competitively priced, making them an excellent value for the money. Make the right choice, the TrackBoss choice.



# CONSTRUCTION

# TUBES

**OTR'S TRANS AMERICAN RUBBER BRAND TUBES** feature 100% butyl rubber for a premium tube solution. Tubes extend tire life, prevent air leakage and add weight for improved traction. Butyl provides distinct advantages for construction equipment:

- Improved shock absorption and ride comfort.
- Excellent weatherability; resistance to heat, moisture and chemical attack.
- Durability; resistant to flexing, abrasion and tearing.



CONSTRUCTION

PART #	DESCRIPTION	VALVE	TYPE
7R52	13/14.00R-20 TUBE TR-220A	TR-220A	RADIAL
7R67	13/14.00R-24 TUBE TR-220A	TR-220A	RADIAL
8R75	15.5/17.5R-25 TUBE TR-218A	TR-218A	RADIAL
8R76	15.5/17.5R-25 TUBE TR-J1175C	TR-J1175C	RADIAL
7R70	16.00R-24/25 TUBE TR-220A	TR-220A	RADIAL
8R70	16.00R-24/25 TUBE TR-J1175C	TR-J1175C	RADIAL
9R27NB	16X6.50/7.50R-8 TUBE TR-13	TR-13	RADIAL
8R73	18.00R-24/25 TUBE TR-J1175C	TR-J1175C	RADIAL
8R88	18.00R-33 TUBE TR-J1175C	TR-J1175C	RADIAL
9R30NB	18X8.50/9.50R-8 TUBE TR-13	TR-13	RADIAL
9I80NB	2.50R-15 TUBE TR-75A	TR-75A	RADIAL
8R80	20.5R-25 TUBE TR-218A	TR-218A	RADIAL
8R79	20.5R-25 TUBE TR-J1175C	TR-J1175C	RADIAL
9R39NB	20.5X8R-10 TUBE TR-13	TR-13	RADIAL
9R33NB	21X12.00/22X11.00R-8 TUBE TR6	TR-6	RADIAL
9R60NB	22X8-10 TUBE TR6	TR-6	RADIAL
8R82	23.5R-25 TUBE TR-J1175C	TR-J1175C	RADIAL
9R42NB	23X8.50/9.50R-12 TUBE TR-13	TR-14	RADIAL
9R36NB	25X12.00R-9 TUBE TR6	TR-6	RADIAL
8R90	26R-25 TUBE TR-J1175C	TR-J1175C	RADIAL
9R44NB	26X12.00R-12 TUBE TR-13	TR-15	RADIAL
9R45NB	26X12.00R-12 TUBE TR-15	TR-16	RADIAL
9I71NB	27X8.15/8.50R-15 OFF CTR TUBE TR-15	TR-15	RADIAL
9I69NB	27X8.15/8.50R-15 TUBE TR-75A	TR-75A	RADIAL
9R48NB	27X9.50/10.50R-12 TUBE TR-13	TR-17	RADIAL
9I75NB	28X9.00R-15 CTR TUBE TR-75A	TR-75A	RADIAL
8R91	29.5R-25 TUBE TR-J1175C	TR-J1175C	RADIAL
8R87	29.5R-29 TUBE TR-J1175C	TR-J1175C	RADIAL
9I82NB	3.00R-15 TUBE TR-75A	TR-75A	RADIAL
9I86	32 X 12R-15 TUBE TR-75A	TR-75A	RADIAL
9R22NB	4.80R-8 TUBE TR-87A	TR-87A	RADIAL
9R20NB	5.00/5.70R-8 TUBE JS-2	TR-JS2	RADIAL
9R24NB	5.00/5.70R-8 TUBE TR-13	TR-13	RADIAL
9R25NB	5.70R-8 TUBE TR-87A	TR-87A	RADIAL



# TUBES

# CONSTRUCTION

PART #	DESCRIPTION	VALVE	TYPE
9I52NB	6.00/6.90R-9 TUBE TR-150	TR-150	RADIAL
9I54NB	6.00/6.90R-9 TUBE TR-75A	TR-75A	RADIAL
9I50NB	6.00/6.90R-9 TUBE TR-JS2	TR-JS2	RADIAL
9I40NB	6.00-9 HK TUBE USE 9I40 TR-13	TR-13	BIAS
9I64NB	6.50/7.50R-10 TUBE TR-75A	TR-75A	RADIAL
9I59NB	6.50/7.50R-10 TUBE TR-JS2	TR-JS2	RADIAL
9I60NB	6.50/7.50R-10 TUBE USE 9I60 TR150A	TR-150A	RADIAL
9I66NB	7.00R-12 TUBE TR-75A	TR-75A	RADIAL
9I67NB	9.00R-10 TUBE USE 9I67 TR-75A	TR-75A	RADIAL

CONSTRUCTION



# CONSTRUCTION

# WHEELS

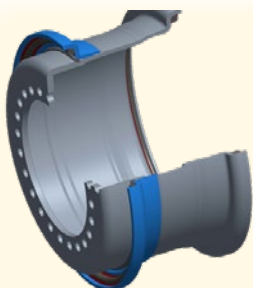
CONSTRUCTION



**OTR CONSTRUCTION EQUIPMENT WHEELS**—ranging in size from 12”-28”, in steel and aluminum (for cranes)—are engineered for specific vehicle and machine fitments. Configured in one to five-piece designs, OTR’s wheels meet industry standards for original equipment and OEM-compliant replacements for equipment such as aerial work platforms, telehandlers, skid-steer loaders, backhoes, loaders, pavers, graders and mobile cranes. Wheel quality and reliability is bolstered by precision manufacturing; HSLA grade steel is used for critical components used in high-stress applications.

## BACKHOE WHEELS

PART #	WHEEL SIZE	BOLT HOLES	TIRE SIZE	MAKE	MODEL
F042083200937	16.5X9.75	8	12X16.5	CASE	580 L
10897500537	24X15	8	19.5L24	CASE	580 C
10897500537	24X15	8	19.5L24	CASE	580 E
F05100630537	24X16	10	19.5L24	CASE	580 L
1809028	18X9	8	12.5/80-19	CAT	416 E
1809028	18X9	8	12.5/80-19	CAT	420 E
1809028	18X9	8	12.5/80-19	CAT	420 F
2416022	24X16	10	19.5L24	CAT	416 E
2416022	24X16	10	19.5L24	CAT	420 E
1809003	18X9	8	12.5/80-18	JD	310 J
2416026	24X16	10	19.5L24	JD	310 J
2416026	24X16	10	19.5L24	JD	310 K
2416026	24X16	10	19.5L24	JD	310 L
2416026	24X16	10	19.5L24	JD	410 J
2416026	24X16	10	19.5L24	JD	410 K
2416026	24X16	10	19.5L24	JD	410 L
165975088	16.5X9.75	8	12X16.5	JD	310 K
165975088	16.5X9.75	8	12X16.5	JD	310 J
165975088	16.5X9.75	8	12X16.5	JD	410 J
165975088	16.5X9.75	8	12X16.5	JD	410 K
0507077	24X16	8	19.5L24	JD	310 A-G
0507077	24X16	8	19.5L24	JD	410 A-G



25" Wheel with Forged Gutter Disc Section

### ENGINEERED WHEEL SOLUTIONS

OTR designs and develops wheels for the world’s toughest applications, notably equipment subjected to extreme loading requiring ultra-high air pressure in the tires. Wheels are engineered using finite element analyses, with rigorous testing and field validation for vehicles and machines used in extreme environments. In addition to focusing on durability, reliability and long-life, operator safety and comfort are a priority in the wheels we design for vocational markets.





# WHEELS

# CONSTRUCTION



## SKID LOADER WHEELS

CONSTRUCTION

PART #	WHEEL SIZE	BOLT HOLES	TIRE SIZE	MAKE	MODEL
041878500494VG	16.5X8.25	8	10X16.5	GEHL	4600 SERIES
041878500494VG	16.5X8.25	8	10X16.5	CATERPILLAR	216-246
041878500494VG	16.5X8.25	8	10X16.5	BOBCAT	500,600,700 SERIES
041878500494VG	16.5X8.25	8	10X16.5	NEW HOLLAND	LS150-180
041878500494VG	16.5X8.25	8	10X16.5	CASE	LX565-685
F10882200937	16.5X8.25	8	10X16.5	NEW HOLLAND	465-555
F10882200937	16.5X8.25	8	10X16.5	CASE	1835-1840
F051360500847	16.5X8.25	8	10X16.5	CATERPILLAR	216-272
W622960RVP33	16.5X8.25	8	10X16.5	JOHN DEERE	4475,5575,6675,7775
W622960RVP33	16.5X8.25	6	10X16.5	JOHN DEERE	240-338
165975020	16.5X9.75	8	12X16.5	CASE	75-95XT
165975020	16.5X9.75	8	12X16.5	CASE	440-465
165975088	16.5X9.75	8	12X16.5	JOHN DEERE	310-410
041907500494VG	16.5X9.75	8	12X16.5	BOBCAT	600,700,800 SERIES
041907500494VG	16.5X9.75	8	12X16.5	BOBCAT	S180-S250
051785700527-P78	16.5X9.75	8	12X16.5	GEHL	5600-6600 SERIES
051785700527-P78	16.5X9.75	8	12X16.5	CATERPILLAR	216-272
051785700527-P78	16.5X9.75	8	12X16.5	NEW HOLLAND	LS180-190
051785700527-P78	16.5X9.75	8	12X16.5	CASE	LX565-685
051786800537	16.5X9.75	6	12X16.5	CASE	1845C
051786800537	16.5X9.75	8	12X16.5	CASE	60-70XT
165975057-P78	16.5X9.75	8	12X16.5	NEW HOLLAND	L200-250
165975057-P78	16.5X9.75	8	12X16.5	JOHN DEERE	240-338
165975057-P78	16.5X9.75	8	12X16.5	JOHN DEERE	8875
165975057-P78	16.5X9.75	8	12X16.5	CASE	SR200-250
165975066VG	16.5X9.75	8	12X16.5	BOBCAT	S750-850
F042083200937	16.5X9.75	8	12X16.5	CASE	580-588
W662960RVP33	16.5X9.75	8	12X16.5	CATERPILLAR	216-272
W753775VP78	17.5X10.5	8	14X17.5	GEHL	5600-6600-7800
W753775VP78	17.5X10.5	8	14X17.5	CATERPILLAR	216-272
W753775VP78	17.5X10.5	8	14X17.5	NEW HOLLAND	LS180-190
W753775VP78	17.5X10.5	8	14X17.5	JOHN DEERE	240-338
W762100R	17.5X10.5	8	14X17.5	NEW HOLLAND	L200-250
W762100R	17.5X10.5	8	14X17.5	CASE	SR200-250

## 3 WHEEL FORK LIFT WHEELS

PART #	WHEEL SIZE	BOLT HOLES	TIRE SIZE	MAKE
12105054	12X10.5	10	26/12-12	MOFFETT
1510008	15X10.10	10	31/12.50-15	MOFFETT
1513010	15X13	10	31/15.50-15	MOFFETT
1513020	15X13	11	31/15.50-15	PRINCETON
15X13W010	15X13	11	31/15.50-15	PRINCETON
165975120	16.5X9.75	10	12-16.5	MOFFETT
W1510019	15X10	6	26/12D380	DONKEY LIFT

## LOADER WHEELS

PART #	WHEEL SIZE	TIRE SIZE	DESCRIPTION	MAKE	MODEL	BEAD SEAT P/N	FLANGE P/N	LOCK RING P/N
2517015	25X17	20.5X25	25" 3-PIECE RIM ASSEMBLY	CASE	621C	N/A	F25TG	LR25T
2517015	25X17	20.5X25	25" 3-PIECE RIM ASSEMBLY	CASE	621CXT	N/A	F25TG	LR25T
25195039	25X19.5	23.5X25	25" 3-PIECE RIM ASSEMBLY	CAT	950G	N/A	ELFC0325/2.5-1	LR255TM
25195039	25X19.5	23.5X25	25" 3-PIECE RIM ASSEMBLY	CAT	950H	N/A	ELFC0325/2.5-1	LR255TM
25195039	25X19.5	23.5X25	25" 3-PIECE RIM ASSEMBLY	CAT	950K	N/A	ELFC0325/2.5-1	LR255TM
25195039	25X19.5	23.5X25	25" 3-PIECE RIM ASSEMBLY	CAT	950M	N/A	ELFC0325/2.5-1	LR255TM
25195039	25X19.5	23.5X25	25" 3-PIECE RIM ASSEMBLY	CAT	962G	N/A	ELFC0325/2.5-1	LR255TM
25195039	25X19.5	23.5X25	25" 3-PIECE RIM ASSEMBLY	CAT	962H	N/A	ELFC0325/2.5-1	LR255TM
25195039	25X19.5	23.5X25	25" 3-PIECE RIM ASSEMBLY	CAT	962M	N/A	ELFC0325/2.5-1	LR255TM
25195024	25X19.5	23.5X25	25" 5-PIECE RIM ASSEMBLY	CAT	950G	BB25HT31	S2525	LR255TM
25195024	25X19.5	23.5X25	25" 5-PIECE RIM ASSEMBLY	CAT	950H	BB25HT31	S2525	LR255TM
25195024	25X19.5	23.5X25	25" 5-PIECE RIM ASSEMBLY	CAT	950K	BB25HT31	S2525	LR255TM
25195024	25X19.5	23.5X25	25" 5-PIECE RIM ASSEMBLY	CAT	950M	BB25HT31	S2525	LR255TM
25195024	25X19.5	23.5X25	25" 5-PIECE RIM ASSEMBLY	CAT	962G	BB25HT31	S2525	LR255TM
25195024	25X19.5	23.5X25	25" 5-PIECE RIM ASSEMBLY	CAT	962H	BB25HT31	S2535	LR255TM
25195024	25X19.5	23.5X25	25" 5-PIECE RIM ASSEMBLY	CAT	962M	BB25HT31	S2535	LR255TM
25195075	25X19.5	23.5X25	25" 5-PIECE RIM ASSEMBLY	DEERE	644H	BB25HT31	S2525	LR255TM
25195075	25X19.5	23.5X25	25" 5-PIECE RIM ASSEMBLY	DEERE	644J	BB25HT31	S2525	LR255TM
25195075	25X19.5	23.5X25	25" 5-PIECE RIM ASSEMBLY	DEERE	644K	BB25HT31	S2525	LR255TM
25195075	25X19.5	23.5X25	25" 5-PIECE RIM ASSEMBLY	DEERE	724H	BB25HT31	S2525	LR255TM
25195075	25X19.5	23.5X25	25" 5-PIECE RIM ASSEMBLY	DEERE	724J	BB25HT31	S2525	LR255TM
2522001	25X22	26.5X25	25" 5-PIECE RIM ASSEMBLY	CAT	966H	BB25HT31	S3025	LR255TM
2522001	25X22	26.5X25	25" 5-PIECE RIM ASSEMBLY	CAT	966K	BB25HT31	S3025	LR255TM
2522001	25X22	26.5X25	25" 5-PIECE RIM ASSEMBLY	CAT	966M	BB25HT31	S3025	LR255TM
2522001	25X22	26.5X25	25" 5-PIECE RIM ASSEMBLY	CAT	972K	BB25HT31	S3025	LR255TM
2522001	25X22	26.5X25	25" 5-PIECE RIM ASSEMBLY	CAT	972M	BB25HT31	S3025	LR255TM

### AFTER-SALE SUPPORT

OTR's after-sale support includes a robust wheel inspection and recertification program. Wheels nearing end-of-life can be identified and documented; repairs and/or replacement components are available. Consult with your OTR salesperson for more details.



# WHEELS

# CONSTRUCTION

## LOADER WHEELS

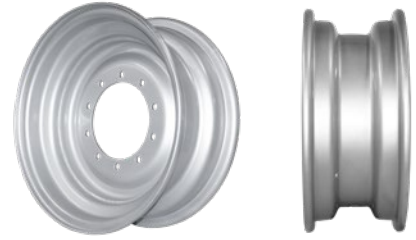
PART #	WHEEL SIZE	TIRE SIZE	DESCRIPTION	MAKE	MODEL	BEAD SEAT P/N	FLANGE P/N	LOCK RING P/N
2517042	25X17	20.5X25	25" 3-PIECE RIM ASSEMBLY	KOMATSU	WA-250-5	N/A	F25TG	LR25T
2517042	25X17	20.5X25	25" 3-PIECE RIM ASSEMBLY	KOMATSU	WA-250-6	N/A	F25TG	LR25T
2517042	25X17	20.5X25	25" 3-PIECE RIM ASSEMBLY	KOMATSU	WA-270-7	N/A	F25TG	LR25T
2517042	25X17	20.5X25	25" 3-PIECE RIM ASSEMBLY	KOMATSU	WA-320-3	N/A	F25TG	LR25T
2517042	25X17	20.5X25	25" 3-PIECE RIM ASSEMBLY	KOMATSU	WA-320-5	N/A	F25TG	LR25T
2517042	25X17	20.5X25	25" 3-PIECE RIM ASSEMBLY	KOMATSU	WA-320-6	N/A	F25TG	LR25T
2517042	25X17	20.5X25	25" 3-PIECE RIM ASSEMBLY	KOMATSU	WA-320-7	N/A	F25TG	LR25T
2525053	25X25	29.5X25	25" 5-PIECE RIM ASSEMBLY	KOMATSU	WA-500-6	BB25HT31	S3525	LR255TM
2525053	25X25	29.5X25	25" 5-PIECE RIM ASSEMBLY	KOMATSU	WA-500-7	BB25HT31	S3525	LR255TM
2517081	25X17	20.5X25	25" 3-PIECE RIM ASSEMBLY	VOLVO	L-70G	N/A	F25TG	LR25T
2517081	25X17	20.5X25	25" 3-PIECE RIM ASSEMBLY	VOLVO	L-90E	N/A	F25TG	LR25T
2517081	25X17	20.5X25	25" 3-PIECE RIM ASSEMBLY	VOLVO	L-90F	N/A	F25TG	LR25T
2517081	25 X 17	20.5X25	25" 3-PIECE RIM ASSEMBLY	VOLVO	L-90G	N/A	F25TG	LR25T
25195002	25X19.5	23.5X25	25" 5-PIECE RIM ASSEMBLY	VOLVO	L-110E	BB25HT31	S2525	LR255TM
25195002	25X19.5	23.5X25	25" 5-PIECE RIM ASSEMBLY	VOLVO	L-110F	BB25HT31	S2525	LR255TM
25195002	25X19.5	23.5X25	25" 5-PIECE RIM ASSEMBLY	VOLVO	L-110G	BB25HT31	S2525	LR255TM
25195002	25X19.5	23.5X25	25" 5-PIECE RIM ASSEMBLY	VOLVO	L-110H	BB25HT31	S2525	LR255TM
25195002	25X19.5	23.5X25	25" 5-PIECE RIM ASSEMBLY	VOLVO	L-120C	BB25HT31	S2525	LR255TM
25195002	25X19.5	23.5X25	25" 5-PIECE RIM ASSEMBLY	VOLVO	L-120D	BB25HT31	S2525	LR255TM
25195002	25X19.5	23.5X25	25" 5-PIECE RIM ASSEMBLY	VOLVO	L-120E	BB25HT31	S2525	LR255TM
25195002	25X19.5	23.5X25	25" 5-PIECE RIM ASSEMBLY	VOLVO	L-120F	BB25HT31	S2525	LR255TM
25195002	25X19.5	23.5X25	25" 5-PIECE RIM ASSEMBLY	VOLVO	L-120G	BB25HT31	S2525	LR255TM
25195002	25X19.5	23.5X25	25" 5-PIECE RIM ASSEMBLY	VOLVO	L-120H	BB25HT31	S2525	LR255TM
2522064	25X22	26.5X25	25" 5-PIECE RIM ASSEMBLY	VOLVO	L-150	BB25HT31	S3025	LR255TM
2522064	25X22	26.5X25	25" 5-PIECE RIM ASSEMBLY	VOLVO	L-150C	BB25HT31	S3025	LR255TM
2522064	25X22	26.5X25	25" 5-PIECE RIM ASSEMBLY	VOLVO	L-150D	BB25HT31	S3025	LR255TM
2522064	25X22	26.5X25	25" 5-PIECE RIM ASSEMBLY	VOLVO	L-150E	BB25HT31	S3025	LR255TM
2522064	25X22	26.5X25	25" 5-PIECE RIM ASSEMBLY	VOLVO	L-150F	BB25HT31	S3025	LR255TM
2522064	25X22	26.5X25	25" 5-PIECE RIM ASSEMBLY	VOLVO	L-150G	BB25HT31	S3025	LR255TM
2522064	25X22	26.5X25	25" 5-PIECE RIM ASSEMBLY	VOLVO	L-180	BB25HT31	S3025	LR255TM
2522064	25X22	26.5X25	25" 5-PIECE RIM ASSEMBLY	VOLVO	L-180C	BB25HT31	S3025	LR255TM
2522064	25X22	26.5X25	25" 5-PIECE RIM ASSEMBLY	VOLVO	L-180D	BB25HT31	S3025	LR255TM
2522064	25X22	26.5X25	25" 5-PIECE RIM ASSEMBLY	VOLVO	L-180E	BB25HT31	S3025	LR255TM
2522064	25X22	26.5X25	25" 5-PIECE RIM ASSEMBLY	VOLVO	L-180F	BB25HT31	S3025	LR255TM
2522064	25X22	26.5X25	25" 5-PIECE RIM ASSEMBLY	VOLVO	L-180G	BB25HT31	S3025	LR255TM
2525024	25X25	29.5-25	25" 5-PIECE RIM ASSEMBLY	VOLVO	L-220E	BB25HT31	S3525	LR255TM
2525029	25X25	29.5-25	25" 5-PIECE RIM ASSEMBLY	CAT	980 G	BB25HT31	S3525	LR255TM
2525029	25X25	29.5-25	25" 5-PIECE RIM ASSEMBLY	CAT	980 H	BB25HT31	S3525	LR255TM
2525029	25X25	29.5-25	25" 5-PIECE RIM ASSEMBLY	CAT	980 K	BB25HT31	S3525	LR255TM
2525029	25X25	29.5-25	25" 5-PIECE RIM ASSEMBLY	CAT	980 M	BB25HT31	S3525	LR255TM

CONSTRUCTION



# CONSTRUCTION

# WHEELS



CONSTRUCTION

## TELEHANDLER WHEELS

PART #	WHEEL SIZE	TIRE SIZE	HOLES	CSNK Y/N
1659755519	16.5 X 9.75	12-16.5	8	YES
1951175600	19.5 X 11.75	15-19.5	9	YES
51745200013	19.5 X 12.25	15-19.5	8	FLAT
2409039	24 X 9	13/14.00-24	5	YES
7301055	24 X 9	13/14.00-24	8	YES
7-166-05	24 X 9	13/14.00-24	10	YES
7301054	24 X 9	13/14.00-24	10	YES
9147-3206	24 X 9	13/14.00-24	10	FLAT
515059499	24 X 9	13/14.00-24	10	FLAT
1001091168	24 X 9	13/14.00-24	10	FLAT
7301056	25 X 13	17.5-25	10	YES
725453	25 X 13	17.5-25	10	YES
2513076	25 X 13	17.5-25	5	YES
9156-3250	25X13	17.5-25	10	FLAT
126406806	28 X 10	14.00-28	10	YES
2811013	28 X 11	370/75-28 13.00-28	10	FLAT
1001120178	28 X 12	400/75-28 14.00-28	10	FLAT



## 60 WHEELS

PRODUCT SPECIFICATIONS AND AVAILABILITY SUBJECT TO CHANGE WITHOUT NOTICE



# WHEELS

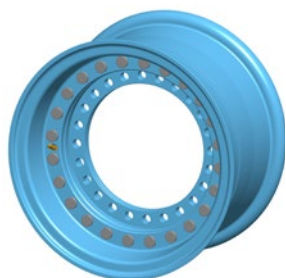
# CONSTRUCTION



**OTR CRANE WHEELS**—in steel and aluminum—cover popular sizes and offsets for a wide range of axles used by global OEMs. Standard wheels are compliant with industry standard crane tires and regulations. Steel wheels are HSLA grade for maximum strength; aluminum wheels are forged and machined for strength and toughness—up to 42% lighter than steel. Precision manufacturing ensures no runout or concentricity issues, while heavy-duty construction yields exceptional load capacity and long-life.

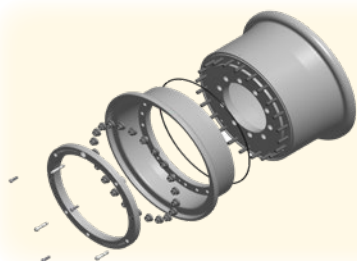
CONSTRUCTION

## CRANE WHEELS



DESCRIPTION	TIRE SIZE	RIM	LOAD INDEX	TRA RIM TYPE	OPERATION TYPE	BOLT PATTERN
2-PC FORGED ALUMINUM BOLT-TOGETHER	525/80R 25	25X17.00/1.7	176 / 177	CRL	TUBELESS	10X335MM & 12 X 445MM
2-PC FORGED ALUMINUM BOLT-TOGETHER	445/90R 25	25X14.00/1.7	170	CRL	TUBELESS	10X335MM & 12 X 445MM
2-PC FORGED ALUMINUM BOLT-TOGETHER	445/95R 25	25X11.00/1.7	174	CRL	TUBELESS	10X335MM & 12 X 445MM
2-PC FORGED ALUMINUM BOLT-TOGETHER	385/95R 25	25X9.50/1.7	170	CRL	TUBELESS	10X335MM & 12 X 445MM
1-PC FORGED ALUMINUM	315/80R 22.5	22.5X9.00	157	150 DROP CENTER	TUBELESS	10X335MM
1-PC FORGED ALUMINUM	445/65R 22.5	22.5X13.00	168	150 DROP CENTER	TUBELESS	10X335MM
3-PC HSLA STEEL	525/80R 25	25X17.00/1.7	176 / 177	CR	TUBELESS	10X335MM & 12 X 445MM
3-PC HSLA STEEL	445/95R 25	25X11.00/1.7	174	CR	TUBELESS	10X335MM & 12 X 445MM
3-PC HSLA STEEL	385/95R 25	25X9.50/1.7	170	CR	TUBELESS	10X335MM & 12 X 445MM

\*OTR supports a wide range of crane applications and configurations, consult with your local salesperson for more details.



### WHEEL DEFLATION SYSTEM

OTR's patent-pending wheel deflation system safely accelerates demounting by up to 50% versus conventional approaches. Configurable for any OTR 2-piece bolt-together aluminum wheel, the system features three valve stems and venting ports—the ideal solution for faster crane wheel changeover.

### OTR HEAVY-DUTY WHEEL CAPABILITY

OTR's 25" 3-piece heavy-duty steel wheels—designed for large construction equipment—also provide a form-fit-function replacement for all major wheel brands. Precision manufacturing is employed, with full weld penetration and ultrasonic verification of weld integrity. Back sections are manufactured for extreme applications; lock and O-ring grooves are fully machined for exact fitment, stress distribution, sealing and air retention.





# CONSTRUCTION

# TIRE SHIELDS

CONSTRUCTION



**OTR TIRE SHIELDS** protect valuable assets from sidewall damage caused by punctures and cuts, thus ensuring continued vehicle mobility especially on extreme terrain. This in turn reduces downtime while enhancing safety for the operator and workers at the jobsite. Constructed with a durable composite material, shields are also lightweight so there is minimal impact on overall vehicle weight and no disruption in tire balance. Easy to install, shields mount directly to hub flanges via custom lock and adapter rings, with lug nut protection. There are eight part numbers, with additional sizes coming soon.

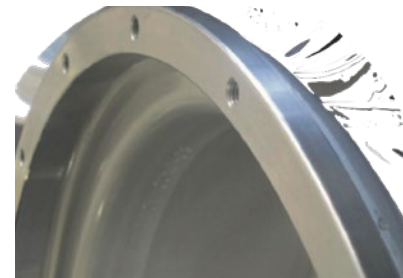
PART #	TIRE	WHEEL
TS20578160965	12.00-20	20X8
TS25702261135	14.00-25	25X11.25
TS60471-01	16.00-25	25X11.25
TS60471-01	23.5R25	25X19.5
TS25730261379	18.00-25	25X13
TS60457-01	305/85R22.5	20X10
TS604384-01	26.5R25	25X22
TS60514-01	29.5R25	25X25



Lug nut protector provides added protection.



Mounts directly to the attached mounting ring



OTR Wheel Engineering can integrate the mounting ring or pattern to your wheels



### REDUCE LIFE CYCLE COST

OTR tire shields reduce tire cycle costs by keeping expensive tires out of harm's way. This also reduces labor cost to replace tires. Less downtime means more productivity and machine utilization—critical success factors for fleet operations at jobsites with deadlines to meet. The assembly is easy to install and validated by OEMs in the field.



# FLAT PREVENTION

# CONSTRUCTION

CONSTRUCTION

## FLAT-PREVENTION SOLUTIONS

OTR provides options for flat-prevention and mitigation such as our proprietary TyrLyner® system; a foam-fill and wheel exchange program for telehandlers and other machines; and well-regarded line of solid tires sold under the OTR brand SolidBoss®. Each provides a viable solution to the inherent challenges of operating vehicles and machines off-road, on extreme terrain where there is a high potential for tire damage.



## TyrLyner®

**TYRLYNER®** is a proprietary rubber urethane securely applied to the inside of a tire's casing to extend life and enhance safe operation. Its "self-healing" technology ensures the tire is sealed when punctured or cut by objects up to ¼" in diameter. The coating is applied at an OTR facility for original equipment manufacturers and distributors who support fleets and owner-operators engaged in construction work, where downtime is NOT an option.

## FOAM-FILL AND WHEEL EXCHANGE PRO-

**FOAM-FILL AND WHEEL EXCHANGE PROGRAM** OTR's offers a foam-fill and wheel exchange program to qualified dealers who service rental companies and end users who require immediate replacements for damaged tires. Dealers stock finished assemblies for replacement parts and draw from this stock to replace tires on a real-time basis. Wheels are retrieved, inspected and recirculated as needed. Tires are filled with an OEM-approved resin at an OTR facility, using a proven process so there is no chunking or air pockets which can lead to premature failure. Additionally, OTR has launched a portal to facilitate the end customer's ordering through the dealer/service provider, to provide a user-friendly closed-loop solution.



## SOLID TIRES

**SOLIDBOSS®** has established itself the preeminent brand in solid tires, preferred by OEMs and specified as original equipment for telehandlers, skid-steers and more. These tires are not only tough and long-lasting, they use apertures to absorb shock and cushion the ride for the operator, contributing to less fatigue on man and machine. Premium rubber compounds, ultra-deep and ultra-wide lugs, and reinforced sidewalls combine with solid tire construction to deliver a robust flat-prevention solution for fleets and owner-operators who cannot afford downtime. (See also page 12-13 for more information.)

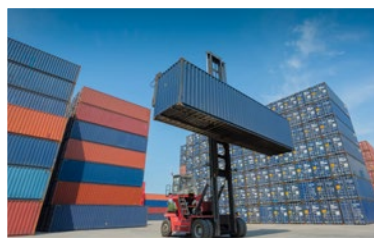
# CONSTRUCTION

# NOTES

CONSTRUCTION




# MATERIAL HANDLING





# MATERIAL HANDLING

# QUICK REFERENCE GUIDE

MATERIAL HANDLING



**GSE**  
PAGE 67



**IND-5**  
PAGE 67



**MUDSHARK HF3**  
PAGE 68



**MUDSHARK R4**  
PAGE 68



**R4-HD**  
PAGE 68



**SAND MASTER**  
PAGE 69



**SANDSTORM**  
PAGE 69



**TRACTION MASTER HF3**  
PAGE 69



# GSE

# MATERIAL HANDLING



**GSE** is a deep ribbed tire with shoulder notches that improve grip when turning on hard surfaces or soft ground. Heavy-duty construction and reinforced sidewalls ensure long life and protection from cuts and punctures.

PART #	TIRE SIZE	PR	PSI	OD	SW	RIM	LOAD
T131084008	4.00-8	8	130	16.73	4.96	8X3.75	1,480@15MPH
T131106009	6.00-9	10	125	22.1	7	9X4	2,820@5MPH@125 PSI
T1311265010	6.50-10	10	115	24	7.75	10X5	3,330@5MPH
T13108800165	8.00-16.5	8	75	28.6	8.06	16.5X6.75	3,600@5MPH@75PSI
T13110875165	8.75-16.5	10	70	30.24	9.13	16.5X6.75	3,620@5MPH

MATERIAL HANDLING

# IND-5

**IND-5** is an ultra-heavy-duty, non-directional tire featuring deep lugs, a reinforced sidewall, rim guard and enlarged bead for tough industrial applications. The 12LL610 HBR design eliminates hub clearance issues.



PART #	TIRE SIZE	PR	PSI	OD	SW	RIM	LOAD
T9818100020	10.00-20	18	145	43.3	11.9	20X7.5	LOAD WHEEL 13,420@15MPH; STEER WHEEL 11,300@15MPH
T9824120020HD	12.00-20	24	140	46.2	13.2	20X8	LOAD WHEEL 18145@15MPH; STEER WHEEL 15,335@15MPH
T9824120020	12.00-20	24	140	46.18	13.43	20X8	LOAD WHEEL 18145@15MPH; STEER WHEEL 15,335@15MPH
T982412LL610	12LL610	24	145	46.57	12.83	24X8.5	LOAD WHEEL 18145@15MPH; STEER WHEEL 15,335@15MPH
T981882515	8.25-15	18	140	33.7	9.35	15X6.5	LOAD WHEEL 8445@15MPH; STEER WHEEL 7135@15MPH



## MATERIAL HANDLING

# MUDSHARK HF3

MATERIAL HANDLING

**MUDSHARK HF3** offers heavy-duty construction with deep lugs for improved traction and cleaning. It's also cut- and puncture-resistant, with a rim guard for sidewall protection. An HBR option is available, with a shortened sidewall for better handling and grip when operating on soft ground.



PART #	TIRE SIZE	PR	PSI	OD	SW	RIM	LOAD
T5103115515M	31X15.50-15	10	60	31.18	14.87	15X13	4225@10MPH
T5103115500M	31X15.50-500	10	60	31.25	14.5	19.5X14	4180@5MPH

# MUDSHARK R4



**MUDSHARK R4** is a rugged industrial tire featuring deep stepped lugs for better grip and cleaning. It provides a reinforced sidewall and rim guard, making it well suited for use in rough environments.

PART #	TIRE SIZE	PR	PSI	OD	SW	RIM	LOAD
T181103151300165	31.5X13.00-16.5	10	70	30.34	12.61	16.5X9.75	5370@5MPH

# R4-HD

**R4-HD** is a durable industrial tire with deep angled lugs for stability, traction and cleaning. It's long-lasting, with reinforced sidewalls and rim guards for added protection.

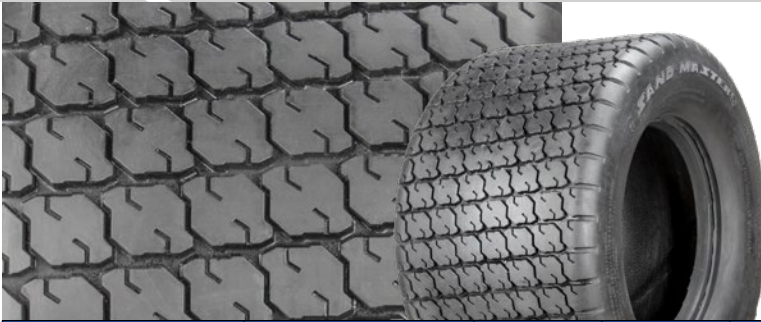


PART #	TIRE SIZE	PR	PSI	OD	SW	RIM	LOAD
T1211231155015	31X15.50-15	12	60	31.24	15.06	15X13	4940@10MPH



# SAND MASTER

## MATERIAL HANDLING



**SAND MASTER** offers exceptional traction on a variety of surfaces, especially soft ground where stability is critical. Compact, grooved lugs channel water away, improving grip on wet ground—a feature especially useful in maneuvering loads outside.

PART #	TIRE SIZE	PR	PSI	OD	SW	RIM	LOAD
T11143618625	36X18LL625	14	75	36.3	17.91	625X15	14,300@5MPH
T11144118225	41X18LL.225	14	50	42.24	19.71	22.5X14	9,200@10MPH
T111250150028	50X15.00-28	12	65	49.65	15.12	28X12	13,600@5MPH
T111250180028	50X18.00-28	12	65	49.65	15.12	28X15	17,600@5MPH

MATERIAL HANDLING

# SANDSTORM

**SANDSTORM** balances excellent wear and flotation characteristics for operating hard surfaces and off-road—the ideal combination for 3-wheel forklifts requiring long life, stability and traction.



PART #	TIRE SIZE	PR	PSI	OD	SW	RIM	LOAD
T1420831155015	31X15.50-15	8	55	30.34	15.12	15X13	3645@10MPH

# TRACTION MASTER HF3



**TRACTION MASTER HF3** provides a wide footprint with deep, angled, extra-long lugs that enhance traction and cleaning, especially operating off-road on soft ground. It's a heavy-duty tire designed for tough environments, balancing stability with long-life and wear characteristics.

PART #	TIRE SIZE	PR	PSI	OD	SW	RIM	LOAD
T130831155015	31X15.50-15	8	45	31.06	14.33	15X13	3645@10MPH



## MATERIAL HANDLING

## TUBES

MATERIAL HANDLING

**OTR'S TRANS AMERICAN RUBBER BRAND TUBES** feature 100% butyl rubber for a premium tube solution. Tubes extend tire life, prevent air leakage and add weight for improved traction. Butyl provides distinct advantages for material handling equipment:

- Improved shock absorption and ride comfort.
- Excellent weatherability; resistance to heat, moisture and chemical attack.
- Durability; resistant to flexing, abrasion and tearing.



PART #	DESCRIPTION	VALVE	BOX QTY
9I40NB	6.00-9	TR13	20
9I50NB	6.00/6.90R9	JS2	20
9I52NB	6.00/6.90R9	TR150A	20
9I54NB	6.00/6.90R9	TR75A	20
9I59NB	6.50/7.50R10	JS2	20
9I60NB	6.50/7.50R10	TR150A	10
9I64NB	6.50/7.50R10	TR75A	10
9I66NB	7.00R12	TR75A	10
9I67NB	9.00R10	TR75A	10
9I69NB	27X8.15/8.50R15	TR75A	10
9I71NB	27X8.15/8.50R15 OFF CENTER	TR15	10
9I75NB	28X9.00R15 CENTER	TR75A	10
9I80NB	250R15	TR75A	10
9I82NB	300R15	TR75A	10
9I86	32X12R15	TR75A	8



# WHEELS

## MATERIAL HANDLING



**OTR OFFERS 3- AND 5-PIECE STEEL WHEELS** for heavy-duty lift trucks, reach stackers, cargo handling vehicles and gantry cranes, plus single-piece units for 3-wheel lift trucks (available in 6-, 10- and 11-hole patterns). Material handling wheels are 10-BAR; FMVSS 120/SAE J179, TRA and ETRTO compliant; and rated for ultra-heavy loads, making them a preferred choice for OEMs.

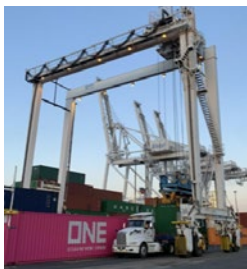
MATERIAL HANDLING

### MATERIAL HANDLING WHEELS

DESCRIPTION	TIRE SIZE	TYPE	SECTIONS
15X6.5	8.25X15	10-BAR	3-PC.
20X8	11.00X20	10-BAR	3-PC.
20X8	12.00X20	10-BAR	3-PC.
24X8.5	12.00X24	10-BAR	3-PC.
24X10	14.00X24	10-BAR	3-PC.
25X11.5	16.00X25	10-BAR	5-PC.
25X13	18.00X25	10-BAR	5-PC.
33X13	18.00X33	10-BAR	5-PC.
35X17	24.00X35	10-BAR	5-PC.

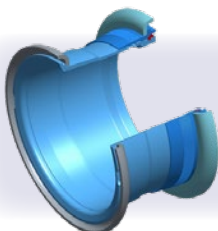
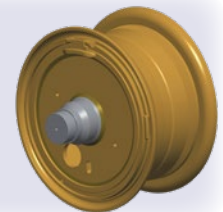
### 3 WHEEL FORK LIFT WHEELS

PART #	WHEEL SIZE	BOLT HOLES	TIRE SIZE	MAKE
12105054	12X10.5	10	26/12-12	MOFFETT
1510008	15X10.10	10	31/12.50-15	MOFFETT
1513010	15X13	10	31/15.50-15	MOFFETT
1513020	15X13	11	31/15.50-15	PRINCETON
15X13W010	15X13	11	31/15.50-15	PRINCETON
165975120	16.5X9.75	10	12-16.5	MOFFETT
W1510019	15X10	6	26/12D380	DONKEY LIFT



#### GANTRY CRANE WHEELS

OTR supplies custom wheels for gantry cranes for original equipment and aftermarket retrofits. HSLA grade steel is used for critical components to ensure strength, longevity and load-carrying capacity. Consult with your OTR sales representative for more information.



#### NEXT-GENERATION 10-BAR WHEELS

OTR's new 10-BAR wheels feature fully integrated universal slots for easier demounting, custom-forged seamless gutters made with HSLA grade steel, and hot-forged back-sections that enhance longevity. Welds are 100% checked using ultrasound verification, with full weld penetration for consistent quality and performance when used in severe-duty environments such as ports.



# MATERIAL HANDLING

# TIRE SHIELDS

MATERIAL HANDLING

**OTR TIRE SHIELDS** protect valuable assets from sidewall damage caused by punctures and cuts, thus ensuring continued vehicle mobility especially on extreme terrain. This in turn reduces downtime while enhancing safety for the operator and workers at the jobsite. Constructed with a durable composite material, shields are also lightweight so there is minimal impact on overall vehicle weight and no disruption in tire balance. Easy to install, shields mount directly to hub flanges via custom lock and adapter rings, with lug nut protection. There are eight part numbers, with additional sizes coming soon.



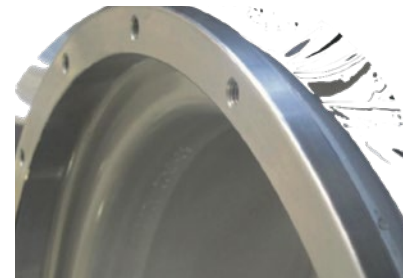
PART #	TIRE	WHEEL
TS20578160965	12.00-20	20X8
TS25702261135	14.00-25	25X11.25
TS60471-01	16.00-25	25X11.25
TS60471-01	23.5R25	25X19.5
TS25730261379	18.00-25	25X13
TS60457-01	305/85R22.5	20X10
TS604384-01	26.5R25	25X22
TS60514-01	29.5R25	25X25



Lug nut protector provides added protection.



Mounts directly to the attached mounting ring



OTR Wheel Engineering can integrate the mounting ring or pattern to your wheels

## REDUCE LIFE CYCLE COST



OTR tire shields reduce tire cycle costs by keeping expensive tires out of harm's way. This also reduces labor cost to replace tires. Less downtime means more productivity and machine utilization—critical success factors for fleet operations at jobsites with deadlines to meet. The assembly is easy to install and validated by OEMs in the field.





# FLAT PREVENTION

# MATERIAL HANDLING

MATERIAL HANDLING

## FLAT-PREVENTION SOLUTIONS

OTR provides options for flat-prevention and mitigation such as our proprietary TyrLyner® system; a foam-fill and wheel exchange program for telehandlers and other machines; and well-regarded line of solid tires sold under the OTR brand SolidBoss®. Each provides a viable solution to the inherent challenges of operating vehicles and machines off-road, on extreme terrain where there is a high potential for tire damage.



**TYRLYNER®** is a proprietary rubber urethane securely applied to the inside of a tire's casing to extend life and enhance safe operation. Its "self-healing" technology ensures the tire is sealed when punctured or cut by objects up to 1/4" in diameter. The coating is applied at an OTR facility for original equipment manufacturers and distributors who support fleets and owner-operators engaged in construction work, where downtime is NOT an option.

## FOAM-FILL AND WHEEL EXCHANGE PRO-

**FOAM-FILL AND WHEEL EXCHANGE PROGRAM** OTR's offers a foam-fill and wheel exchange program to qualified dealers who service rental companies and end users who require immediate replacements for damaged tires. Dealers stock finished assemblies for replacement parts and draw from this stock to replace tires on a real-time basis. Wheels are retrieved, inspected and recirculated as needed. Tires are filled with an OEM-approved resin at an OTR facility, using a proven process so there is no chunking or air pockets which can lead to premature failure. Additionally, OTR has launched a portal to facilitate the end customer's ordering through the dealer/service provider, to provide a user-friendly closed-loop solution.



## SOLID TIRES

**OTR CAN DEVELOP CUSTOM SOLID TIRES FOR SELECT MATERIAL HANDLING VEHICLES.** Our brand—SOLIDBOSS®—is the preeminent brand in solid tires, preferred by OEMs and specified as original equipment for telehandlers, skid-steers and other vehicles. These tires are not only tough and long-lasting, they use apertures to absorb shock and cushion the ride for the operator, contributing to less fatigue on man and machine. Premium rubber compounds, ultra-deep and ultra-wide lugs, and reinforced sidewalls combine with solid tire construction to deliver a robust flat-prevention solution for fleets and owner-operators who cannot afford downtime. Consult with your OTR salesperson for more information.



## MATERIAL HANDLING

# WHEEL INSPECTION



MATERIAL HANDLING

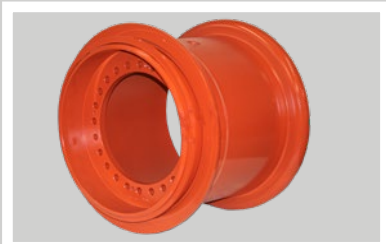
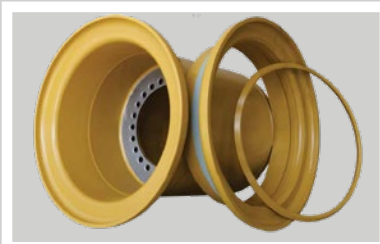
### WHEEL INSPECTION & RECERTIFICATION

OTR's after-sale support includes a proven wheel inspection and recertification process for material handling vehicles used at ports and industrial sites. This capability is enhanced by OTR's experience in developing and supplying heavy-duty wheels to OEMs, resulting in a core competency that can be leveraged for dealers and end users alike. If wheels are determined to be defective, OTR will work with the OEM, dealer or end user to specify and supply OEM-approved replacements. The process employed ensures safe demounting, with documentation for future reference. Contact your OTR salesperson to discuss how to start this process.

- Verification of wheel condition; isolates defective wheels or wheels nearing end-of-life before there is a potential danger.
- Documentation of wheel duty cycle, application, visible wear and hidden issues, using a proprietary ultrasound scoping technique to identify potential failures.
- Full report documenting findings, for traceability purposes.
- Training for customer's sales staff and end users, e.g. port maintenance personnel.



# MINING





# MINING

# QUICK REFERENCE GUIDE

OTR produces and supplies standard and custom wheels for surface mining applications, ranging in diameter from 25" to 63" in 3-, 5- and 7-piece configurations, as well as underground mining wheels from 15" to 24", in 3- and 4-piece configurations. Wheel options and types are referenced below:

CONFIGURATION	TYPE	RIM SIZES	LEGEND FOR WHEEL TYPE	PAGE
<b>SURFACE MINING APPLICATIONS</b>				
25" 3-Piece	T, TD	25X10.00/1.5, 25X12/00/1.3, 25X14.00, 1.5, 25X17.00/1.7	T: Standard rim assembly with valve hole, general-duty. TD: Standard demountable rim with vale hole, for hub interface.	80
25" 3-Piece	HD	25X19.50/2.5, 25 X 22.00/3.0, 25X25.00/3,5	HD: Heavy duty design (see notes).	81
25" 5-Piece	STG, STN	25X11.25/2.0, 25X13.00/2.5, 25X15.00/3.0	STG: Standard rim assembly; STN: Standard rim assembly, with notch.	82
25" 5-Piece	HTG, HTN, HTM	25X17/00/2.0, 25X19.50/2.5, 25X22.00/3.0, 25X25.00/3.5	HTG: Heavy duty rim assembly, no driver pocket; HTN: Heavy duty rim assembly, do driver pocket, with notch; HTM: Heavy duty rim assembly, with driver pocket system.	83
29" 5-Piece	HTHG, HTHM	29X17.00/3.5, 29X22.00/3.0, 29X24.00/3.0, 29X24.00/3,5, 29.00X25.00/3.5	HTHG: Heavy duty rim assembly, no driver pocket. HTHM: Heavy duty rim, with driver pocket.	84
33"-45" 5-Piece	RTEL, RHTHM	33.00X22.00/4.0, 33X22.00/4.0, 33X28.00/3.5, 33X28.00/4.0, 33X32.00/4.5, 35X27.00/3.5, 35X31.00/4.0, 39X28.00/4.0, 39X32.00/4.0, 39X32.00/4.5, 39X32.00/4.5, 45X36.00/4.5	RTEL: Standard "R" style rim, with driver pocket. RHTHM: Heavy duty "R" style rime, with driver pocket.	85
33"-49" 5-Piece	RW	33X13.00/2.5, 35X15.00/3.0, 35X17.00/3.5, 49X17/00/3.5, 49X19.50/4.0	RW: Standard "RW" style rim, with reinforced back, bead seat and lip for easy demounting.	86
35"-49" 5-Piece	MRW	35X15.00/3.0, 35.00X17.00/3.5, 49X17.00/3.5, 49X19.50/4.0, 49X19.50/4.0	MRW: Standard "MRW" style rim with machined gutter and "W" style lock ring.	87
51"-57" 5-Piece	STD	51X22.00/4.5, 51X24.00/5.0, 51X26.00/5.0, 51X32.00/4.5, 51X40.00/4.5, 57X27.00/6.0, 57X29.00/6.0	Standard duty rim assembly.	88
51"-57" 5-Piece	HD	51X22.00/4.5, 51X24.00/5.0, 51X26.00/5.0, 51X32.00/4.5, 51X40.00/4.5, 57X27.00/6.0, 57X29.00/6.0	Heavy duty rim assembly (see notes).	89
63" 5-Piece	STD	63X36.00/5.0	STD: Standard duty rim assembly.	90
63" 5-Piece	HD	63X36.00/5.0, 63X41.00/5.0, 63X44.00/5.0	HD: Heavy duty rim assembly.	91
63" 5-Piece	HDT	63X36.00/5.0, 63X41.00/5.0, 63X44.00/5.0	HDT: Heavy duty rim assembly, tapered.	92
51"-63" 5-, 6-, and 7-Piece	TLS HD, STD	51X22.00/4.5, 51X24.00/5.0, 51X26.00/5.0, 51X40.00/4.5, 57X27.00/6.0, 57X29.00/6.0, 57X32.00/5.0, 57X32.00/6.5, 57X34.00/5.0, 57X44.00/5.0, 57X47.00/6.0, 57X52.00/5.0, 57X60.00/6.0, 63X36.00/5.0, 63X41.00/5.0, 63X44.00/5.0	TLS HD: Tapered locking system for heavy-duty wheels, with a double-gutter (DG) design for 7-piece assemblies (for easy demounting and quick changeover), and 6-piece units also featuring an integrated lock ring. STD: Standard rim assembly.	93-97
<b>UNDERGROUND MINING APPLICATIONS</b>				
15"-24" 4-Piece	HD	15X11, 20X8.50, 20X11.00, 24X11.00	HD: Heavy duty rim assembly (see notes).	119



## FEATURES & NOTES

## MINING

### STANDARD OTR WHEELS

- Designs and sizes compliant with industry standards; compatible as replacements for all wheel brands used in market.
- Full penetration welds, with 100% phased array ultrasonic (PA) inspection to assure weld integrity and long-life.
- OTR wheels produced in ISO 9001 registered facilities.

### HEAVY-DUTY WHEELS

- Fully machined lock ring grooves for precise fitment and stress relief.
- Fully machined O-ring grooves for optimal sealing and air pressure retention.
- Heavy-duty back sections for extreme loads and duty cycles.
- Notched rim bases, outdoor driver pocket options available.
- Special alloy steel option for wheels used in high-pressure applications. Consult with your OTR salesperson for more information.
- Valve hole size/placement options for select rim bases.

### LARGER DIAMETER WHEELS (51"-63"):

- HSLA grade steel used for critical components
- Seamless forged gutters and fully machined sections.
- Integrated bead seat-Sur-Loc design-to prevent inflation when using incorrect mounting ring.

### 6- AND 7-PIECE QUICK-CHANGE WHEELS

- Designs enable demount and vertical mounting and without having to remove inside dual tire.
- Designs compatible with popular fitments and replacements of other brands used in market.

### UNDERGROUND MINING WHEELS

- Seamless forged sections for all critical components.
- Fully machined flanges, gutter and back sections ensure mating component parts have exact fitment needed, with evenly distributed stress for reduced wear.

### COMPLIANCE:

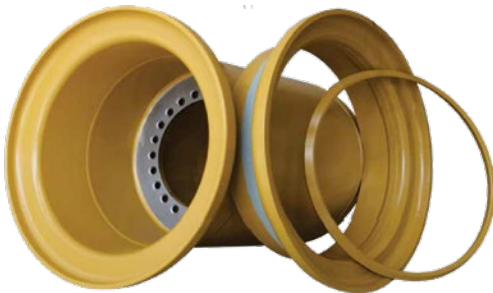
- Assemblies and components manufactured according to Tire & Rim Association (TRA) standards.
- USA-ASTM Standard: A36/A1011M; A529; A572
- DIN Standards: ST 37-2, ST42-2, ST52-3
- China Standards: Q235, Q275, Q345

### ADDITIONAL NOTES:

- NHS referenced in tire size: Not for Highway Service.
- Sur-Loc side rings available for 25"-29" diameter wheels.



MINING





**MINING**

**SAFETY FIRST**

**MINING**



**WARNING**

The task of servicing tires and wheels is potentially dangerous and should be performed by trained personnel only, using the correct tools and procedures. Failure to heed this warning could lead to serious injury or death. We urge those involved in the servicing of tires and wheels to read the *U.S. Department of Labor and Occupation Safety and Health Administration (OSHA) document 29 CFR part 1910.177 entitled Servicing of Single Piece and Multi Piece Rim Wheels*. NOTE: Single piece rims have the rims made out of a single piece of material and multi piece rims have a loose flange or flange and lock ring.

Wear protective gloves, footwear, safety glasses and head gear when servicing tire and wheel components.

Further references explaining safety procedures can be found in literature published by the Rubber Manufacturer's Association, Washington D.C., the National Tire Dealers and Retreaders Association, Washington D.C., and the National Wheel and Rim Association, Jacksonville, FL.



# CONVERSION TABLE

## MINING

### TIRE TO RIM CONVERSION TA-

The following table shows common tire and approved rim sizes for each tire according to the "Tire and Rim Association". Due to variances in load, speed, inflation pressure and type of service, you should always consult with your tire and wheel distributor and/or manufacturer. The use of incorrect flanges can lead to premature tire wear and failures.

TIRE SIZE	RIM SIZE
14.00-20	20-10.00
14.00-21, 16.00-21	21-10.00
10.00-24, 11.00-24, 12.00-24	24-8.00TG
13.00-24, 14.00-24	24-8.00TG
14.00-24	24-10.00TG
16.00-24	24-10.00VA
13.00-25, 14.00-25	25-10.00
15.50-25	25-12.00
16.00-25	25-11.25
17.50-25	25-14.00
18.00-25	25-13.00
20.50-25	25-17.00
21.00-25	25-15.00
23.50-25	25-19.50
26.50-25	25-22.00
29.50-25	25-25.00
24.00-29	29-17.00
26.50-29	29-22.00
30/65-29	29-24.00
29.50-29	29-25.00
33.25-29	29-27.00
18.00-33	33-13.00
27.00-33	33-22.00
33.50-33	33-28.00
35/65-33	33-28.00
37.50-33	33-32.00
21.00-35	35-15.00
24.00-35	35-17.00

TIRE SIZE	RIM SIZE
33.25-35	35-27.00
37.25-35	35-31.00
33.50-39	39-28.00
37.50-39, 40.5/75-39, 40/65-39	39-32.00
41.25/70-39	39-32.00
45/65-39	39-36.00
45/65-45	45-36.00
24.00-49	49-17.00
27.00-49	49-19.50
30.00-51	51-22.00
33.00-51	51-24.00
36.00-51	51-26.00
37.50-51	51-32.00
50/65-51	51-40.00
50.00-51	51-40.00
37.00-57	57-27.00
40.00-57, 46/90 R57	57-29.00
48/95-57, 44/80 R57, 50/90 R57	57-32.00
40/80 R57, 50/80 R57	57-34.00
49.5-57, 49.5/85-57, 50/80-57, 44/95 R57, 52/80-57	57-36.00
53.5/85-57, 55/80-57, 55.5/80-57	57-44.00
58/85-57, 53.5-57	57-47.00
65/65-57	57-52.00
70/70-57	57-60.00
53/80 R63	63-36.00
55/80 R63	63-41.00
58/80 R63, 59/80 R63	63-44.00

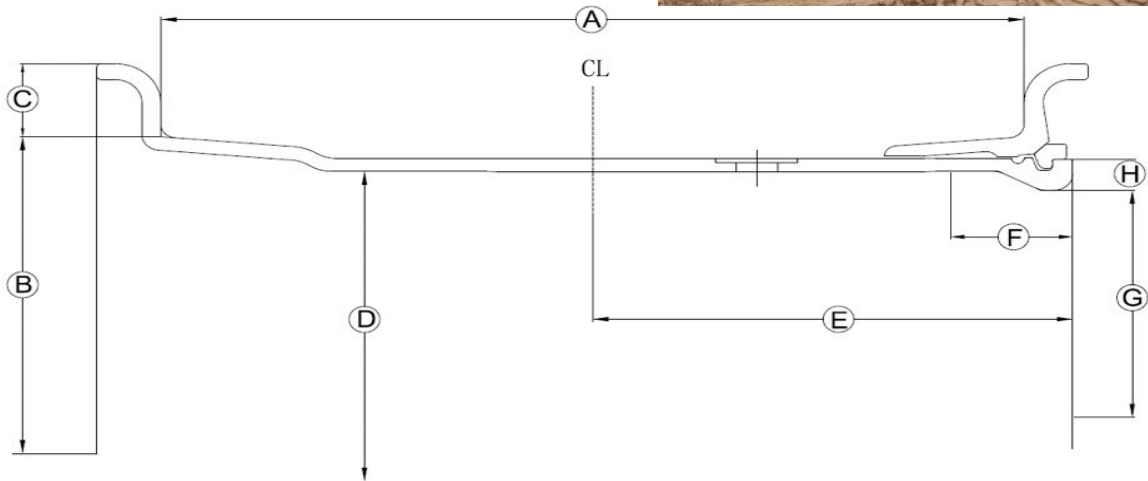
MINING



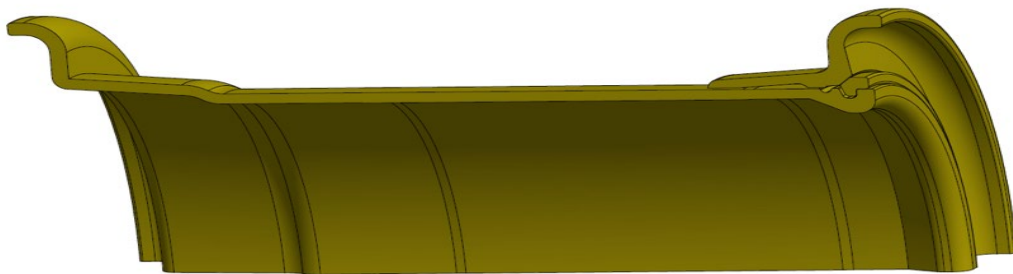
# MINING

## 3-PIECE RIM ASSEMBLIES

### 25" TYPE T, TD



RIM SIZE	DIMENSIONS							
DIA. - WIDTH / FLANGE HT.	A	B	C	D	E	F	G	H
25-10.00 / 1.5	10	25	1.5	23.392	6.031	2.031	22.5	0.719
25-12.00 / 1.3	12	25	1.3	23.392	6.89	1.898	22.5	0.719
25-14.00 / 1.5	14	25	1.5	23.392	8.031	2.031	22.5	0.719
25-17.00 / 1.7	17	25	1.7	23.392	9.531	2.031	22.5	0.719



RIM SIZE	PART NUMBERS					
DIA. - WIDTH / FLANGE HT.	TIRE SIZE(S)	RIM BASE	SIDE RING	LOCK RING	O-RING	ASSY WT.
25-10.00 / 1.5	14.00-25 NHS	B1025T B1025TD	F1025T F1025T	LR25T LR25T	OR25T OR25T	149.2
25-12.00 / 1.3	15.5-25	B12025T	F25TU1.3	LR25T	OR25T	135.8
25-14.00 / 1.5	17.5-25	B14025T	F1025T	LR25T	OR25T	175.9
25-17.00 / 1.7	20.5-25	B17025TGF	F25TG	LR25T	OR25T	188.2

## 80 RIM ASSEMBLIES

PRODUCT SPECIFICATIONS AND AVAILABILITY SUBJECT TO CHANGE WITHOUT NOTICE

MINING



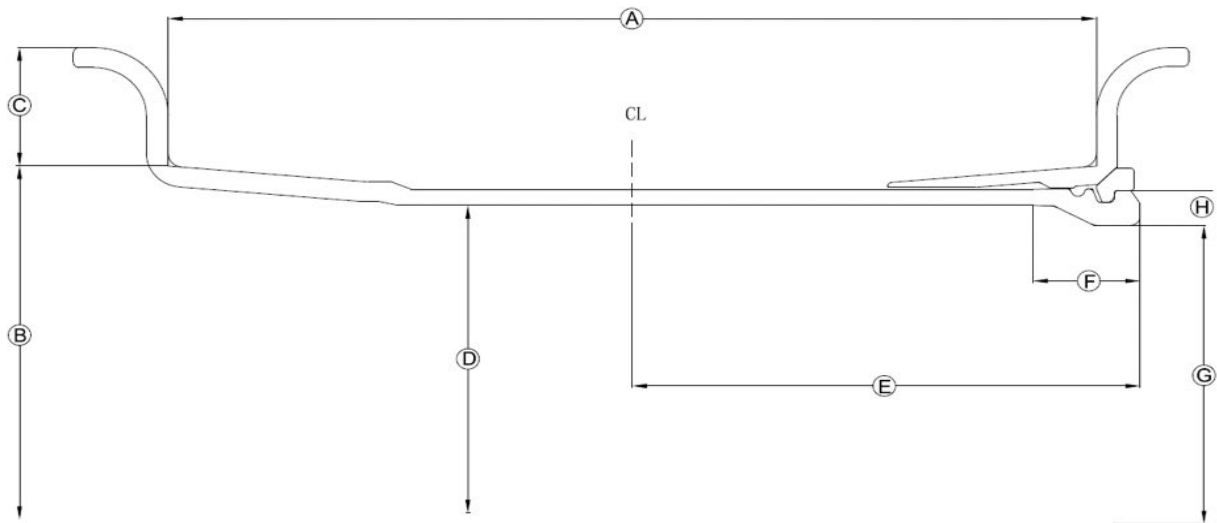


# 3-PIECE RIM ASSEMBLIES

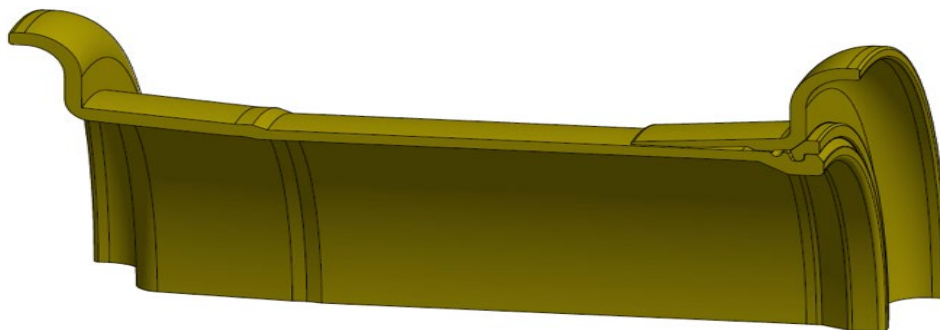
# MINING

## 25" HEAVY DUTY

MINING



RIM SIZE	DIMENSIONS							
DIA. - WIDTH / FLANGE HT.	A	B	C	D	E	F	G	H
25-19.5/2.5	19.5	25	2.5	23.38	11.69	2.03	21.5	1.06
25-22.00/3.0	22	25	3	23.38	12.94	2.03	21.5	1.06
25-25.00/3.5	25	25	3.5	23.38	14.31	2.03	21.5	1.06



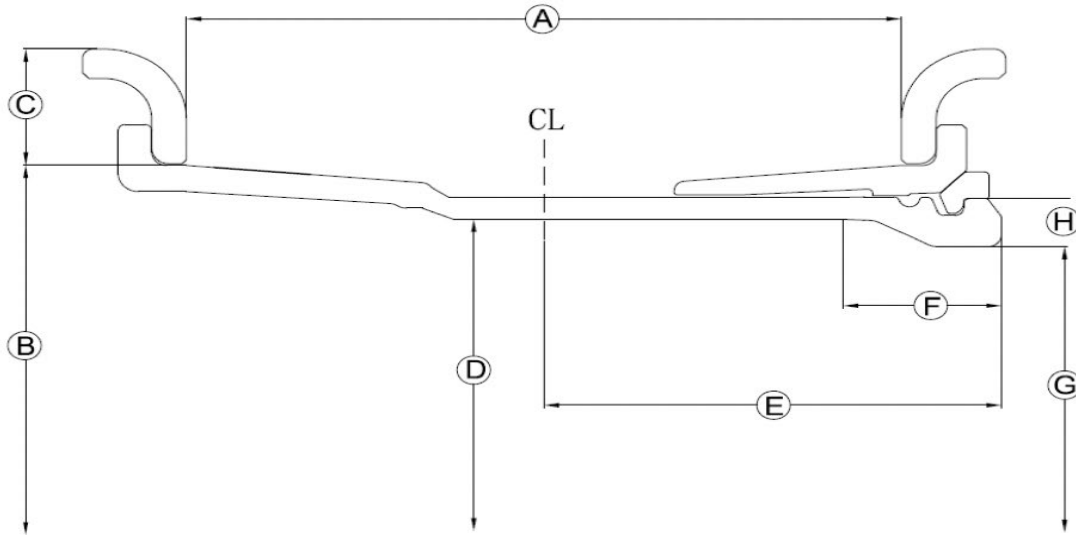
RIM SIZE	PART NUMBERS					
DIA. - WIDTH / FLANGE HT.	TIRE SIZE(S)	RIM BASE	FLANGE	LOCK RING	O-RING	ASSY WT.
25-19.5/2.5	23.50-25	ER5200A	ELFC0325/2.5	LR255TM	OR325T	384
25-22.00/3.0	26.50-25	ER5300A	ELFC0325/3.0	LR255TM	OR325T	473
25-25.00/3.5	29.50-25	ER5400A	ELFC0325/3.5	LR255TM	OR325T	537.5



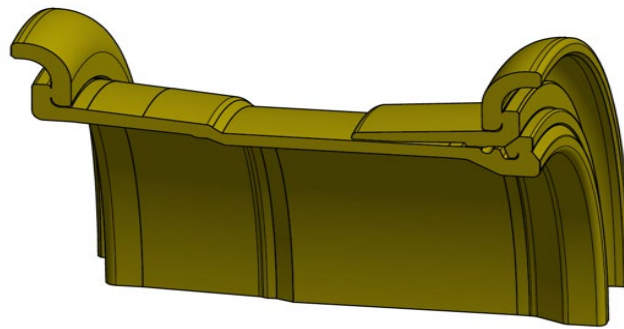
# MINING

# 5-PIECE RIM ASSEMBLIES

## 25" TYPE STG, STN



RIM SIZE	DIMENSIONS							
DIA. - WIDTH / FLANGE HT.	A	B	C	D	E	F	G	H
25-11.25 / 2.0	11.25	25	2	22.625	7.312	3.255	21.5	1.06
25-13.00 / 2.5	13	25	2.5	22.625	8.312	3.255	21.5	1.06
25-15.00 / 3.0	15	25	3	22.625	9.312	3.255	21.5	1.06



RIM SIZE	PART NUMBERS						
DIA. - WIDTH / FLANGE HT.	TIRE SIZE(S)	RIM BASE	BEADSEAT	SIDE FLANGE	LOCK RING	O-RING	ASSY WT.
25-11.25 / 2.0	16.00-25	B1125STG	BB25STG	S2025	LR255TM	OR325T	294.2
25-11.25 / 2.0	16.00-25	B1125STN	BB25STN	S2025	LR255TN	OR325T	294.6
25-13.00 / 2.5	18.00-25	B1325STG	BB25STG	S2525	LR255TM	OR325T	353.1
25-13.00 / 2.5	18.00-25	B1325STN	BB25STN	S2525	LR255TN	OR325T	353.9
25-15.00 / 3.0	21.00-25	B1525STG	BB25STG	S3025	LR255TM	OR325T	408.1
25-15.00 / 3.0	21.00-25	B1525STN	BB25STN	S3025	LR255TN	OR325T	408.5

# 82 RIM ASSEMBLIES

PRODUCT SPECIFICATIONS AND AVAILABILITY SUBJECT TO CHANGE WITHOUT NOTICE

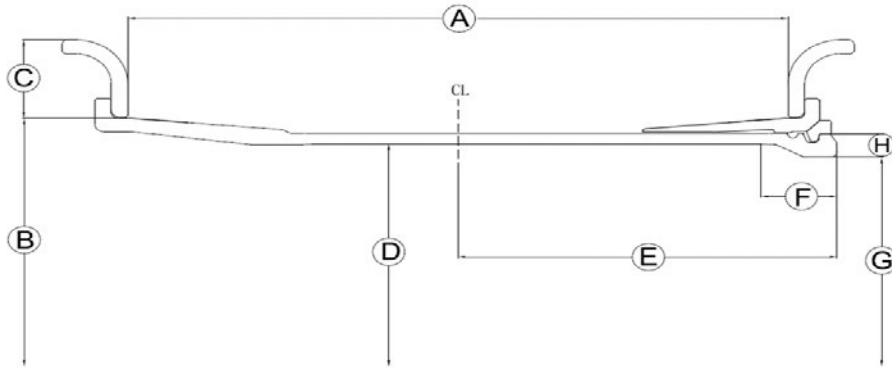
MINING



# 5-PIECE RIM ASSEMBLIES

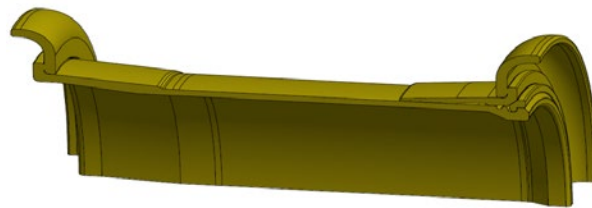
# MINING

## 25" TYPE HTG, HTN, HTM



MINING

RIM SIZE	DIMENSIONS							
DIA. - WIDTH / FLANGE HT.	A	B	C	D	E	F	G	H
25-17.00 / 3.5	17	25	3.5	22.625	10.312	3.255	21.5	1.06
25-17.00 / 2.0	17	25	2	22.625	10.312	3.255	21.5	1.06
25-19.50 / 2.5	19.5	25	2.5	22.625	11.687	3.255	21.5	1.06
25-19.50 / 2.5	19.5	25	2.5	22.625	11.687	3.255	21.5	1.06
25-22.00 / 3.0	22	25	3	22.625	12.937	3.255	21.5	1.06
25-22.00 / 3.0	22	25	3	22.625	12.937	3.255	21.5	1.06
25-25.00 / 3.5	25	25	3.5	22.625	14.312	3.255	21.5	1.06



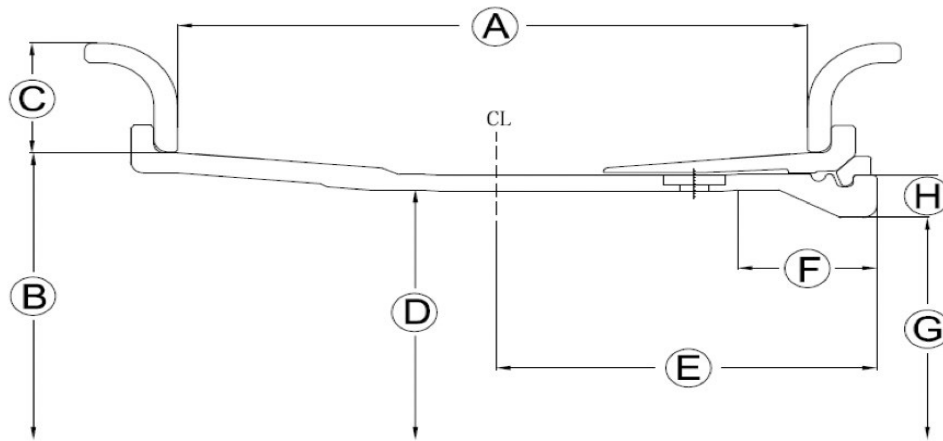
RIM SIZE	PART NUMBERS						
DIA. - WIDTH / FLANGE HT.	TIRE SIZE(S)	RIM BASE	BEADSEAT	SIDE FLANGE	LOCK RING	O-RING	ASSY WT.
25-17.00 / 3.5	24.00-25	B1725HTG	BB25HTG	S3525	LR255TM	OR325T	380
25-17.00 / 2.0	20.5-25	B1725HTN	BB25STN	S2025	LR255TN	OR325T	380
25-17.00 / 2.0	20.5-25	B1725HTM	BB25STM	S2025	LR255TM	OR325T	381.9
25-19.50 / 2.5	23.5-25	B1925HTG	BB25STG	S2525	LR255TM	OR325T	446.7
25-19.50 / 2.5	23.5-25	B1925HTN	BB25STN	S2525	LR255TN	OR325T	443.9
25-19.50 / 2.5	23.5-25	B1925HTM	BB25STM	S2525	LR255TM	OR325T	445.8
25-22.00 / 3.0	26.5-25	B2225HTG	BB25HTG	S3025	LR255TM	OR325T	499
25-22.00 / 3.0	26.5-25	B2225HTN	BB25HTN	S3025	LR255TN	OR325T	504.7
25-22.00 / 3.0	26.5-25	B2225HTM	BB25HTM	S3025	LR255TM	OR325T	515.9
25-25.00 / 3.5	29.5-25	B2525HTG	BB25HTG	S3525	LR255TM	OR325T	551.4
25-25.00 / 3.5	29.5-25	B2525HTN	BB25HTN	S3525	LR255TN	OR325T	553.7
25-25.00 / 3.5	29.5-25	B2525HTM	BB25HTM	S3525	LR255TM	OR325T	564.4



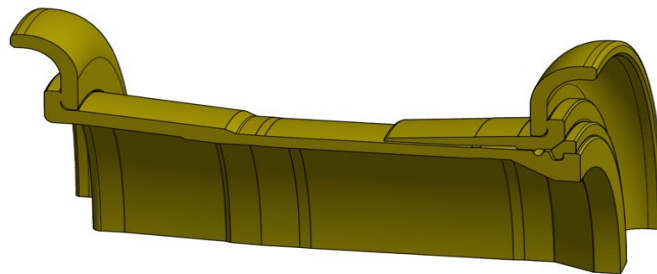
# MINING

# 5-PIECE RIM ASSEMBLIES

## 29" TYPE HTHG, HTHM



RIM SIZE	DIMENSIONS							
DIA. - WIDTH / FLANGE HT.	A	B	C	D	E	F	G	H
29-17.00 / 3.5	17	29	3.5	26.625	10.312	3.567	24.875	1.38
29-22.00 / 3.0	22	29	3	26.625	12.937	3.567	24.875	1.38
29-24.00 / 3.0	24	29	3	26.625	13.984	3.567	24.875	1.38
29-24.00 / 3.5	24	29	3.5	26.625	13.984	3.567	24.875	1.38
29-25.00 / 3.5	25	29	3.5	26.625	14.312	3.567	24.875	1.38



RIM SIZE	PART NUMBERS						
DIA. - WIDTH / FLANGE HT.	TIRE SIZE(S)	RIM BASE	BEADSEAT	SIDE FLANGE	LOCK RING	O-RING	ASSY WT.
29-17.00 / 3.5	24.00-29	B1729HTHM	BB29HTM	S3529	LR295TM	OR329T	561.7
29-22.00 / 3.0	26.5-29	B2229HTHM	BB29HTM	S3029	LR295TM	OR329T	600.2
29-24.00 / 3.0	30/65-29	B2429HTHM	BB29HTM	S3029	LR295TM	OR329T	636.1
29-24.00 / 3.5	26.5-29	B2429HTHM	BB29HTM	S3529	LR295TM	OR329T	650.3
29-25.00 / 3.5	29.5-29	B2529HTHM	BB29HTM	S3529	LR295TM	OR329T	660.6

# 84 RIM ASSEMBLIES

PRODUCT SPECIFICATIONS AND AVAILABILITY SUBJECT TO CHANGE WITHOUT NOTICE

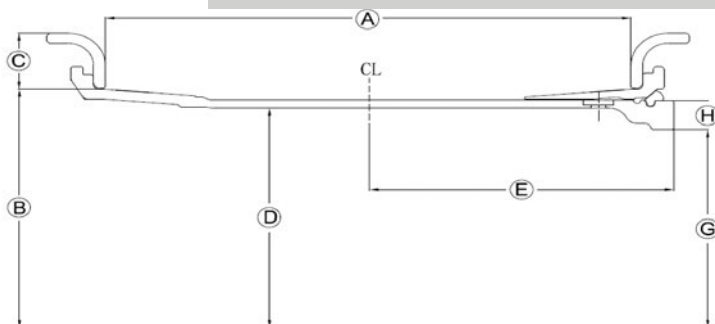
MINING



# 5-PIECE RIM ASSEMBLIES

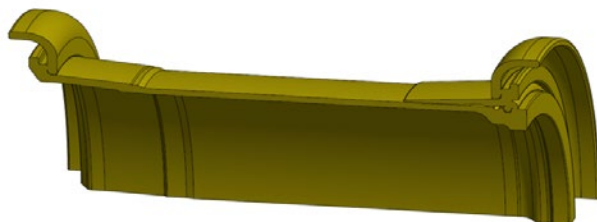
# MINING

## 33"-45" TYPE RTEL, RHTHM



MINING

RIM SIZE DIA. - WIDTH / FLANGE HT.	DIMENSIONS							
	A	B	C	D	E	F	G	H
33-22.00 / 4.0	22	33	4.5	30.625	13.187	N/A	27.938	1.84
33-28.00 / 3.5	28	33	3.5	30.625	16.187	N/A	27.938	1.84
33-28.00 / 4.0	28	33	4	30.625	16.187	N/A	27.938	1.84
33-32.00 / 4.5	32	33	4.5	30.625	18.281	N/A	27.938	1.84
35-27.00 / 3.5	27	35	3.5	32.625	15.562	N/A	29.938	1.84
35-31.00 / 4.0	31	35	4	32.625	17.781	N/A	29.938	1.84
39-28.00 / 4.0	28	39	4	36.625	16.187	N/A	33.938	1.84
39-32.00 / 4.0	32	39	4	36.625	18.281	N/A	33.938	1.84
39-32.00 / 4.5	32	39	4.5	36.625	18.281	N/A	33.938	1.84
45-36.00 / 4.5	36	45	4.5	42.625	20.281	N/A	39.938	1.84



Note: 25" and 29" RW type rims are also available. Contact your OTR salesperson for more details.

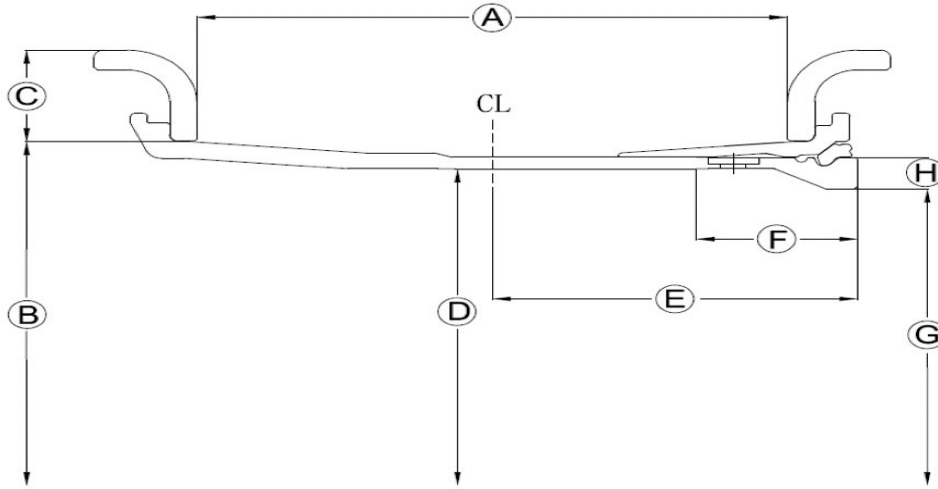
RIM SIZE DIA. - WIDTH / FLANGE HT.	PART NUMBERS						
	TIRE SIZE(S)	RIM BASE	BEADSEAT	SIDE FLANGE	LOCK RING	O-RING	ASSY WT.
33-22.00 / 4.0	27.00-33	B2233RTEL	BB33RTL	S4033	LR335TM	OR333T	860.2
33-28.00 / 3.5	35/65-33	B2833RHTHM	BB33RTL	S3533	LR335TM	OR333T	885.8
33-28.00 / 4.0	33.5-33	B2833 RHTHM	BB33RTL	S4033	LR335TM	OR333T	905.6
33-32.00 / 4.5	37.5-33	B3233RTEL	BB33RTL	S4533	LR335TM	OR333T	995.1
35-27.00 / 3.5	33.25-35	B2735RTEL	BB35RTL	S3535	LR355TM	OR335T	869.7
35-31.00 / 4.0	37.25-35	B3135RTEL	BB35RTL	S4035	LR355TM	OR335T	1018.1
39-28.00 / 4.0	33.5-39	B2839RTEL	BB39RTL	S4039	LR395TM	OR339T	1080.3
39-32.00 / 4.0	40/65-39	B3239RTEL	BB39RTL	S4039	LR395TM	OR339T	1163.4
39-32.00 / 4.5	41.25/70-39, 37.5-39	B3239RTEL	BB39RTL	S4539	LR395TM	OR339T	1184
45-36.00 / 4.5	45/65-45	B3645RTEL	BB45RT91	S4545	LR455TM	OR345T	1442.2



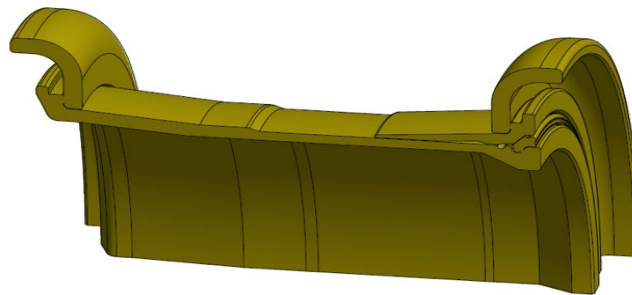
# MINING

# 5-PIECE RIM ASSEMBLIES

## 33"-49" TYPE RW



RIM SIZE	DIMENSIONS							
DIA. - WIDTH / FLANGE HT.	A	B	C	D	E	F	G	H
33-13.00 / 2.5	13	33	2.5	30.625	8.093	3.567	28.875	1.38
35-15.00 / 3.0	15	35	3	32.625	9.312	3.567	30.875	1.38
35-17.00 / 3.5	17	35	3.5	32.625	10.312	3.567	30.875	1.38
49-17.00 / 3.5	17	49	3.5	46.625	10.61	3.567	44.875	1.38
49-19.50 / 4.0	19.5	49	4	46.625	12	3.567	44.875	1.38



RIM SIZE	PART NUMBERS						
DIA. - WIDTH / FLANGE HT.	TIRE SIZE(S)	RIM BASE	BEADSEAT	SIDE FLANGE	LOCK RING	O-RING	ASSY WT.
33-13.00 / 2.5	18.00-33	B1333RWHGD	BB33RTGN	S2533	LR33W	OR333T	557.2
35-15.00 / 3.0	21.00-35	B1535RWHGD	BB35RTG	S3035	LR35W	OR335T	669.3
35-17.00 / 3.5	24.00-35	B1735RWHGD	BB35RTG	S3535	LR35W	OR335T	734.5
49-17.00 / 3.5	24.00-49	B1749RWHGD	BB49RTG	H3549A	LR49W	OR349T	1099.5
49-19.50 / 4.0	27.00-49	B1949RWHGD	BB49RTG	R4049EH	LR49W	OR349T	1196.2

# 86 RIM ASSEMBLIES

PRODUCT SPECIFICATIONS AND AVAILABILITY SUBJECT TO CHANGE WITHOUT NOTICE

MINING

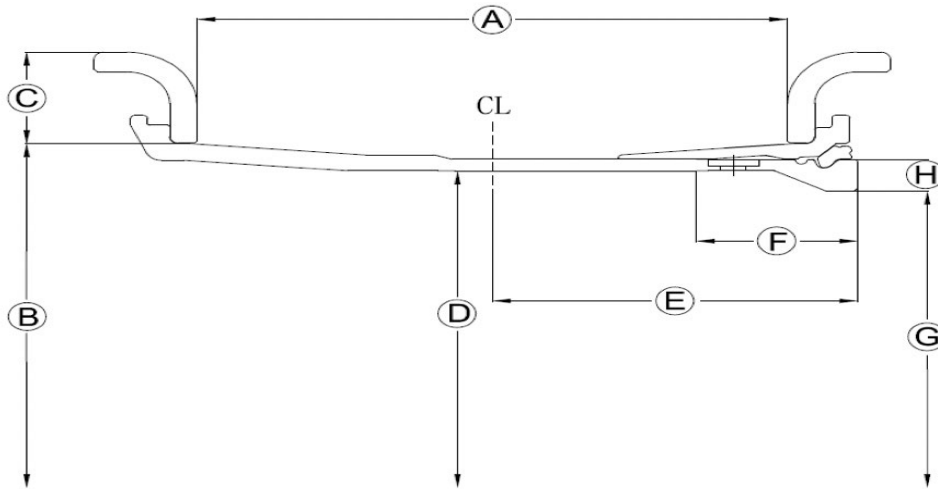


# 5-PIECE RIM ASSEMBLIES

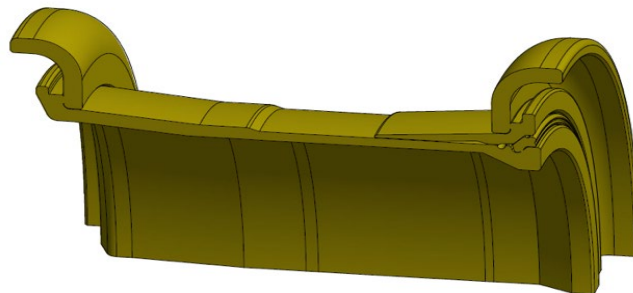
# MINING

## 33"-49" TYPE MRW

MINING



RIM SIZE	DIMENSIONS							
DIA. - WIDTH / FLANGE HT.	A	B	C	D	E	F	G	H
35-15.00 / 3.0	15	35	3	32.625	9.65	4.125	30.312	1.78
35-17.00 / 3.5	17	35	3.5	32.625	10.59	4.125	30.312	1.78
49-17.00 / 3.5	17	49	3.5	46.625	10.61	4.125	44.062	1.78
49-19.50 / 4.0	19.5	49	4	46.625	12	4.125	44.062	1.78
49-19.50 / 4.0 (RWEG)	19.5	49	4	46.625	12	N/A	43.945	1.78



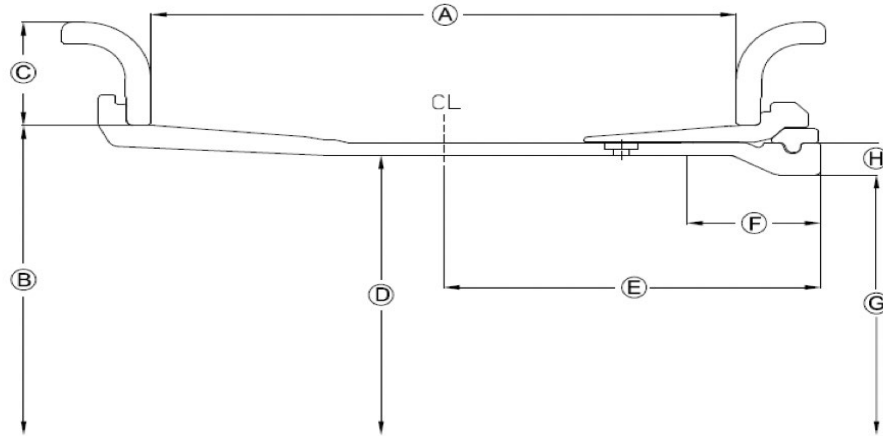
RIM SIZE	PART NUMBERS						
DIA. - WIDTH / FLANGE HT.	TIRE SIZE(S)	RIM BASE	BEADSEAT	SIDE FLANGE	LOCK RING	O-RING	ASSY WT.
35-15.00 / 3.0	21.00-35	B1535MRWEGD	BB35RTG	S3035	LR35W	OR335T	672
35-17.00 / 3.5	24.00-35	B1735MRWEGD	BB35RTG	S3535	LR35W	OR335T	734
49-17.00 / 3.5	24.00-49	B1749MRWEGD	BB49RTG	H3549A	LR49W	OR349T	1141.5
49-19.50 / 4.0	27.00-49	B1949RWEG	BB49RTG	R4049EH	LR49W	OR349T	1339.8
49-19.50 / 4.0	27.00-49	B1949MRWEGD	BB49RTG	R4049EH	LR49W	OR349T	1331.6



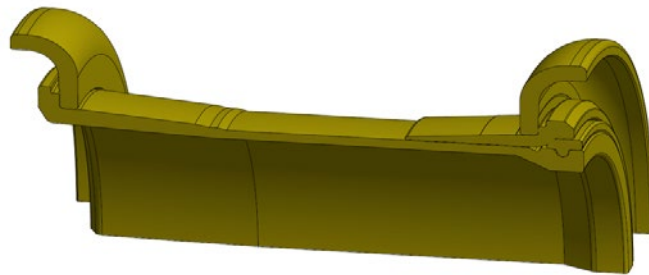
# MINING

## 5-PIECE RIM ASSEMBLIES

### 51"-57" STANDARD



RIM SIZE	DIMENSIONS							
DIA. - WIDTH / FLANGE HT.	A	B	C	D	E	F	G	H
51-22.00 / 4.5	22	51	4.5	47.75	14.875	5.86	45.218	1.86
51-24.00 / 5.0	24	51	5	47.75	15.875	5.86	45.218	1.86
51-26.00 / 5.0	26	51	5	47.75	16.875	5.86	45.218	1.86
51-32.00 / 4.5	32	51	4.5	47.75	19.875	5.86	45.218	1.86
51-40.00 / 4.5	40	51	4.5	47.75	23.875	5.86	45.218	1.86
57-27.00 / 6.0	27	57	6	53.75	17.375	5.86	51.218	1.86
57-29.00 / 6.0	29	57	6	53.75	18.375	5.86	51.218	1.86



RIM SIZE	PART NUMBERS						
DIA. - WIDTH / FLANGE HT.	TIRE SIZE(S)	RIM BASE	BEADSEAT	SIDE FLANGE	LOCK RING	O-RING	ASSY WT.
51-22.00 / 4.5	30.00-51	B2251EHD	BB51EHD	H4551	LR51HD	OR451T	1975
51-24.00 / 5.0	33.00-51	B2451EHD	BB51EHD	R5051H	LR51HD	OR451T	2255
51-26.00 / 5.0	36.00-51	B2651EHD	BB51EHD	R5051H	LR51HD	OR451T	2313
51-32.00 / 4.5	37.5-51	B3251EHD	BB51EHD	H4551	LR51HD	OR451T	2325
51-40.00 / 4.5	50.00-51	B4051EHD	BB51EHD	R4551H	LR51HD	OR451T	2540
	50/65-51						
57-27.00 / 6.0	37.00-57	B2757EHD	BB57EHD	R6057H	LR57HD	OR457T	2800
57-29.00 / 6.0	40.00-57	B2957EHD	BB57EHD	R6057H	LR57HD	OR457T	2940

## 88 RIM ASSEMBLIES

PRODUCT SPECIFICATIONS AND AVAILABILITY SUBJECT TO CHANGE WITHOUT NOTICE

MINING

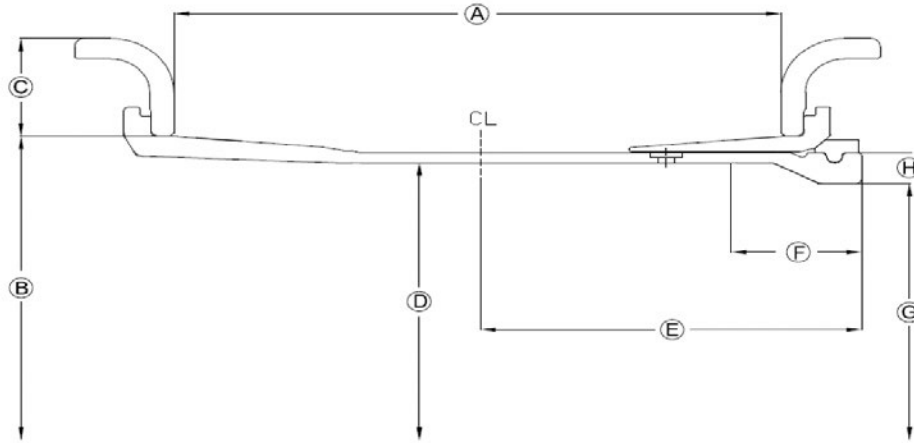




# 5-PIECE RIM ASSEMBLIES

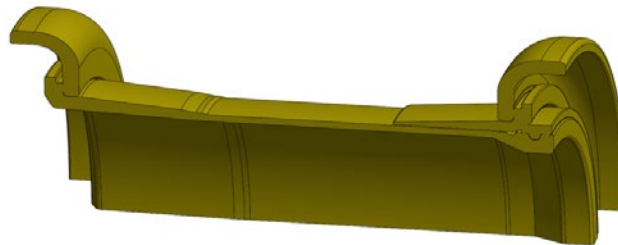
# MINING

## 51"-57" HEAVY DUTY



MINING

RIM SIZE	DIMENSIONS							
DIA. - WIDTH / FLANGE HT.	A	B	C	D	E	F	G	H
51-22.00 / 4.5	22	51	4.5	47.75	14.875	5.86	45.218	1.86
51-24.00 / 5.0	24	51	5	47.75	15.875	5.86	45.218	1.86
51-26.00 / 5.0	26	51	5	47.75	16.875	5.86	45.218	1.86
51-32.00 / 4.5	32	51	4.5	47.75	19.875	5.86	45.218	1.86
51-40.00 / 4.5	40	51	4.5	47.75	23.875	5.86	45.218	1.86
57-27.00 / 6.0	27	57	6	53.75	17.375	5.86	51.218	1.86
57-29.00 / 6.0	29	57	6	53.75	18.375	5.86	51.218	1.86



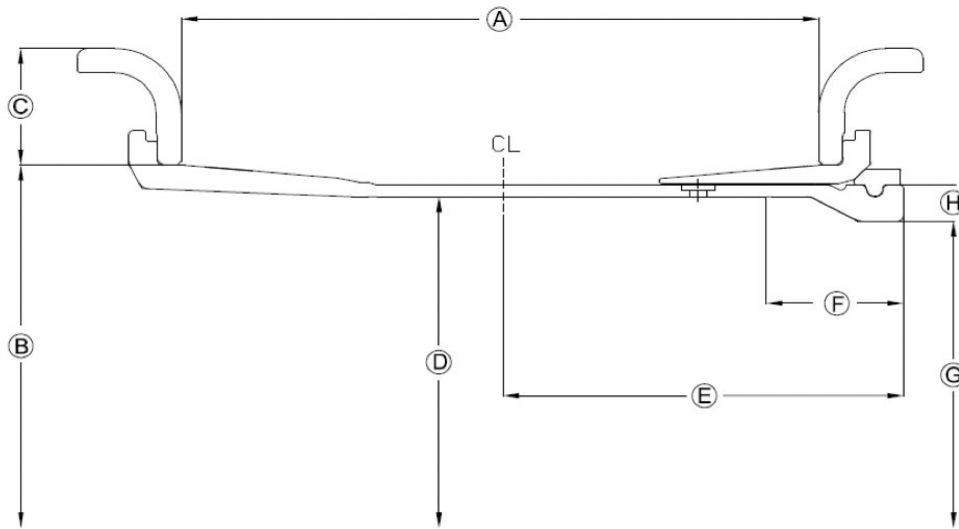
RIM SIZE	PART NUMBERS						
DIA. - WIDTH / FLANGE HT.	TIRE SIZE(S)	RIM BASE	BEADSEAT	SIDE FLANGE	LOCK RING	O-RING	ASSY WT.
51-22.00 / 4.5	30.00-51	514879201	5148704-50	5347396-50	LR51HD	OR451T	2316
51-24.00 / 5.0	33.00-51	514878101	5148704-50	5348389-00	LR51HD	OR451T	2599
51-26.00 / 5.0	36.00-51	514878201	5148704-50	5348389-00	LR51HD	OR451T	2646
51-40.00 / 4.5	50.00-51	514886401	5148865-00	5348389-00	LR51HD	OR451T	3169
	50/65-51						
57-27.00 / 6.0	37.00-57	514885201	5148732-50	5348388-50	LR57HD	OR457T	3167
57-29.00 / 6.0	40.00-57	514885501	5148732-50	5348388-50	LR57HD	OR457T	3204



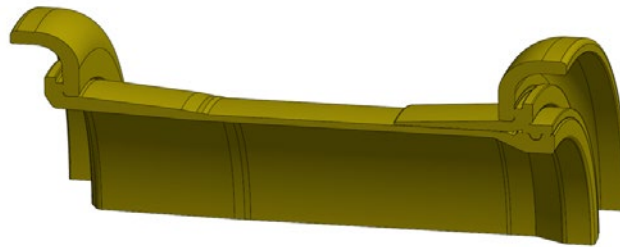
# MINING

## 5-PIECE RIM ASSEMBLIES

### 63" STANDARD



RIM SIZE	DIMENSIONS							
DIA. - WIDTH / FLANGE HT.	A	B	C	D	E	F	G	H
63-36.00	36	63	5	59	20.78	7.86	56.31	2.31



RIM SIZE	PART NUMBERS						
DIA. - WIDTH / FLANGE HT.	TIRE SIZE(S)	RIM BASE	BEADSEAT	SIDE FLANGE	LOCK RING	O-RING	ASSY WT.
63-36.00	53/80 R63	WB633650501	515083950	R5063HMS	LR63HD	OR463T	4657

Note: 63-41.00 and 63-44.00 rim assemblies are also available.

## 90 RIM ASSEMBLIES

PRODUCT SPECIFICATIONS AND AVAILABILITY SUBJECT TO CHANGE WITHOUT NOTICE

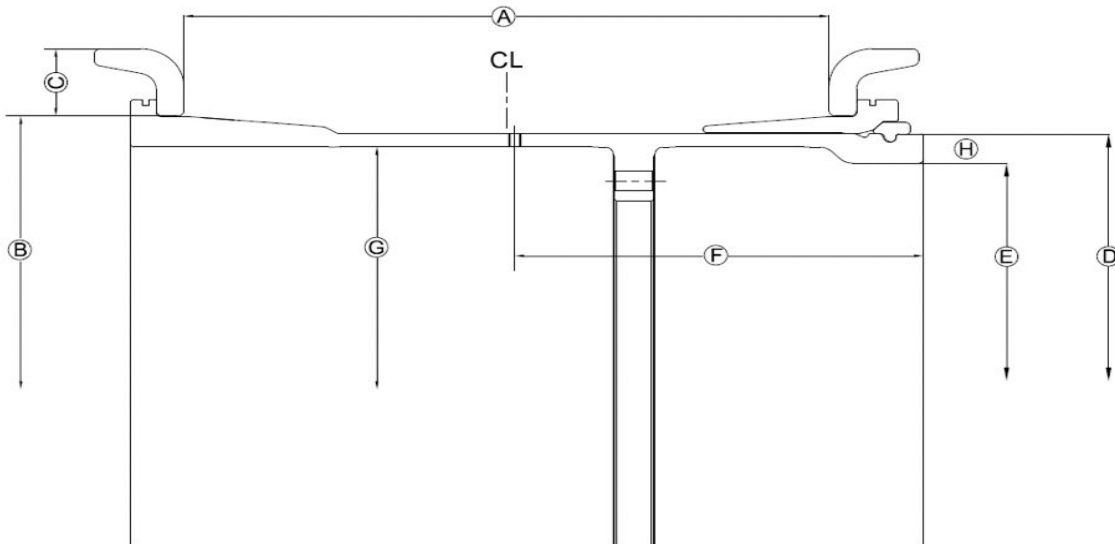


# 5-PIECE RIM ASSEMBLIES

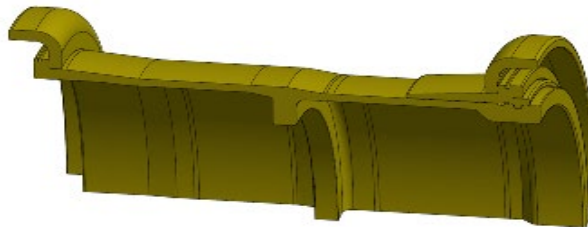
# MINING

## 63" HEAVY DUTY

MINING



RIM SIZE	DIMENSIONS							
DIA. - WIDTH / FLANGE HT.	A	B	C	D	E	F	G	H
63-36.00	36	63	5	60.417	55.772	15.75	59.646	2.32
63-41.00	41	63	5	60.417	55.772	15.75	59.646	2.32
63-44.00	44	63	5	60.417	55.772	15.75	59.646	2.32



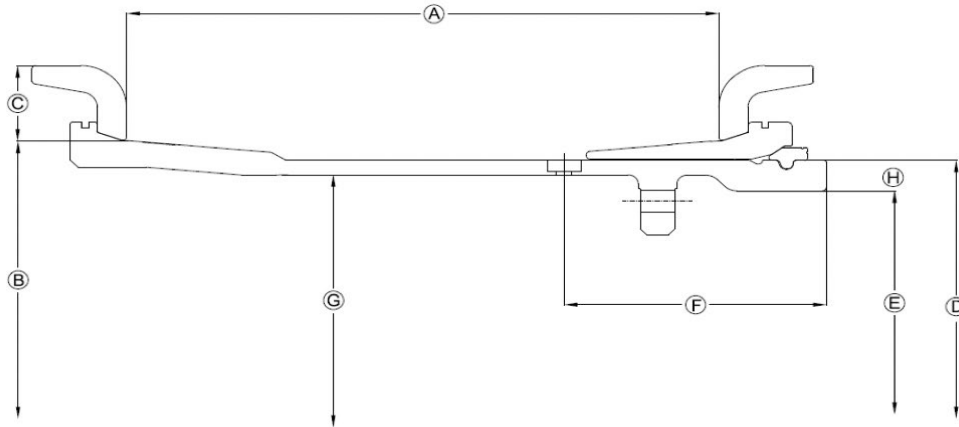
RIM SIZE	PART NUMBERS						
DIA. - WIDTH / FLANGE HT.	TIRE SIZE(S)	RIM BASE	BEADSEAT	SIDE FLANGE	LOCK RING	O-RING	ASSY WT.
63-36.00	53/80 R63	WB633650504	WBB056302	WSR506303	LR63HDS	OR463T	6570
63-41.00	55/80 R63	WB634150504	WBB056302	WSR506303	LR63HDS	OR463T	6593
63-44.00	58/80 R63, 59/80 R63	WB634450504	WBB056302	WSR506303	LR63HDS	OR463T	6615



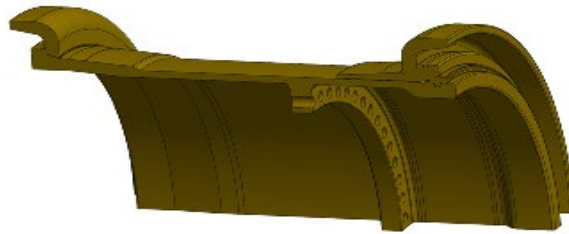
# MINING

## 5-PIECE RIM ASSEMBLIES

### 63" HEAVY DUTY TAPERED



RIM SIZE	DIMENSIONS							
DIA.-WIDTH/FLANGE HT	A	B	C	D	E	F	G	H
63-36.00	36	63	5	60.417	56.365	20.25	58.512	2.03
63-36.00	36	63	5	60.417	55.787	13.58	58.512	2.32
63-41.00	41	63	5	60.417	56.11	25.98	58.512	2.15
63-44.00	44	63	5	60.417	55.772	15.77	59.645	2.32



RIM SIZE	PART NUMBERS						
DIA.-WIDTH/FLANGE HT.	TIRE SIZE(S)	RIM BASE	BEADSEAT	SIDE FLANGE	LOCK RING	O-RING	ASSY WT
63-36.00	53/80R63	WB6336501	BB056302	SR506304	LR056303	OR463T	6262
63-36.00	53/80R63	WB6336510	BB056302	SR506304	LR056303	OR463T	5821
63-41.00	55/80R63	WB6341504	BB056302	SR506304	LR056303	OR463T	6493
63-44.00	58/80R63	WB6344503	BB056302	SR506304	LR056303	OR463T	6592

## 92 RIM ASSEMBLIES

PRODUCT SPECIFICATIONS AND AVAILABILITY SUBJECT TO CHANGE WITHOUT NOTICE

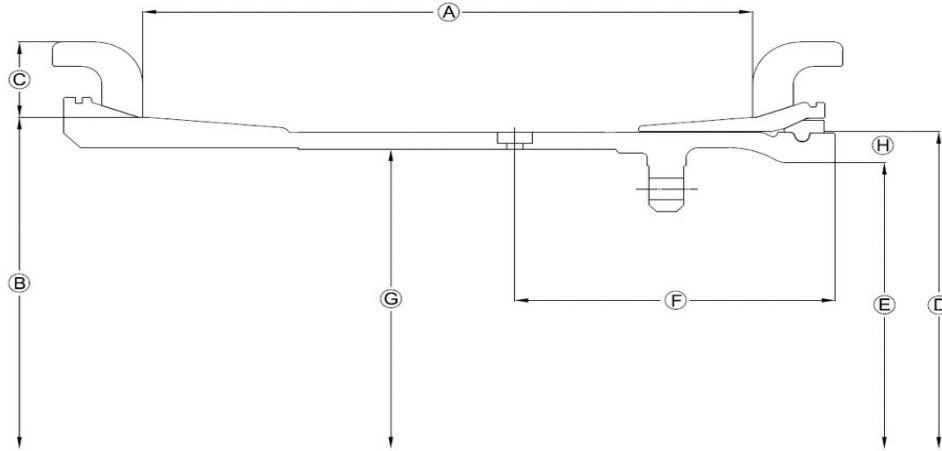
MINING



# 5-PIECE RIM ASSEMBLIES

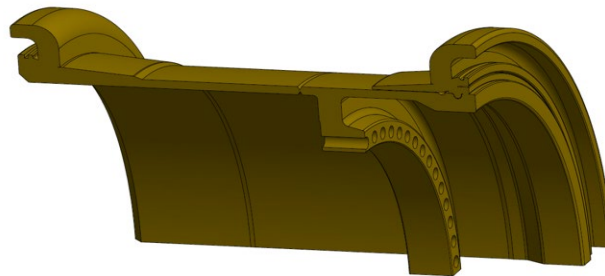
# MINING

## TLS HD 5-PIECE



MINING

RIM SIZE DIA.-WIDTH/FLANGE HT	DIMENSIONS							
	A	B	C	D	E	F	G	H
57-29.00	29	57	6	54.94	51.25	11.5	53	1.84
63-36.00	36	63	5	60.937	56.5	23.67	59.031	2.22
63-41.00	41	63	5	60.937	56.5	26.18	59.031	2.22
63-44.00	44	63	5	60.937	57	15.77	59	1.97



RIM SIZE DIA.-WIDTH/FLANGE HT	PART NUMBERS						
	TIRE SIZE(S)	RIM BASE	BEADSEAT	SIDE FLANGE	LOCK RING	O-RING	ASSY WT
57-29.00	40.00-57	WB5729518	BB055710	SR605702	LR055703	OR463T	4520
63-36.00	53/80R63	WB6336507	BB056308	SR506305	LR056304	OR463T	6788
63-41.00	55/80R63	WB6341505	BB056308	SR506305	LR056304	OR463T	7053
63-44.00	55/80R63	WB6344505	BB056308	SR506305	LR056304	OR463T	6674

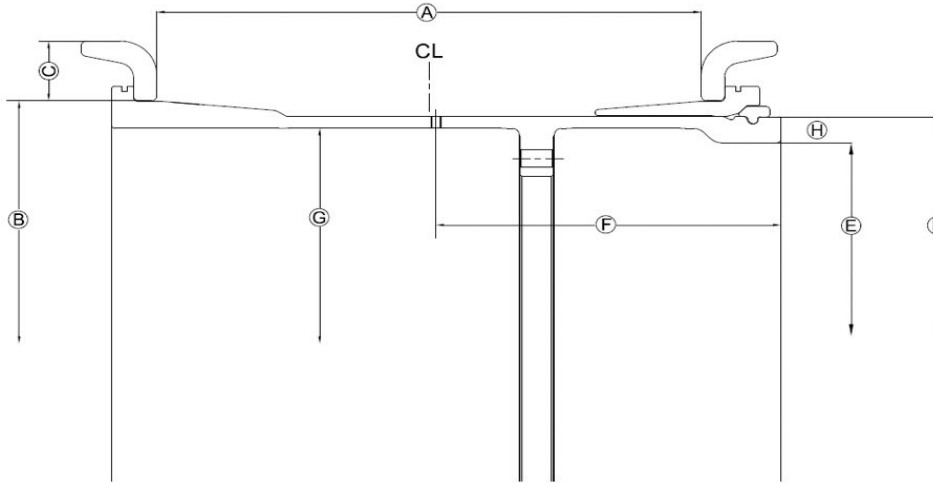
**OTR'S TLS** —tapered lock system—type rim assemblies are available in 5-, 6-, and 7-piece configurations that are compatible with competitors' models, as form-fit-function replacements for stock rims as well. HSLA grade steel is used for critical components, with seamless forged gutters and fully machined sections yielding a best-in-class solution for mining vehicles and earthmoving equipment.



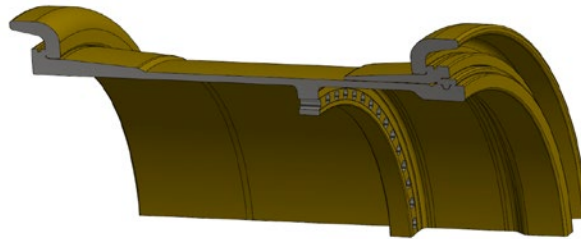
# MINING

# 5-PIECE RIM ASSEMBLIES

## STANDARD 5-PIECE



RIM SIZE	DIMENSIONS							
DIA.-WIDTH/FLANGE HT	A	B	C	D	E	F	G	H
63-36.00	36	63	5	60.417	55.787	14.811	58.504	2.32
63-41.00	41	63	5	60.417	56.11	25.984	58.504	2.15
63-44.00	44	63	5	60.417	55.771	15.768	59.646	2.32



RIM SIZE	PART NUMBERS						
DIA.-WIDTH/FLANGE HT	TIRE SIZE(S)	RIM BASE	BEADSEAT	SIDE FLANGE	LOCK RING	O-RING	ASSY WT
63-36.00	53/80R63	WB6336511	BB056301	SR506303	LR056302	OR463T	6295
63-41.00	55/80R63	WB6341503	BB056301	SR506303	LR056302	OR463T	6696
63-44.00	58/80R63	WB6344502	BB056301	SR506303	LR056302	OR463T	6502

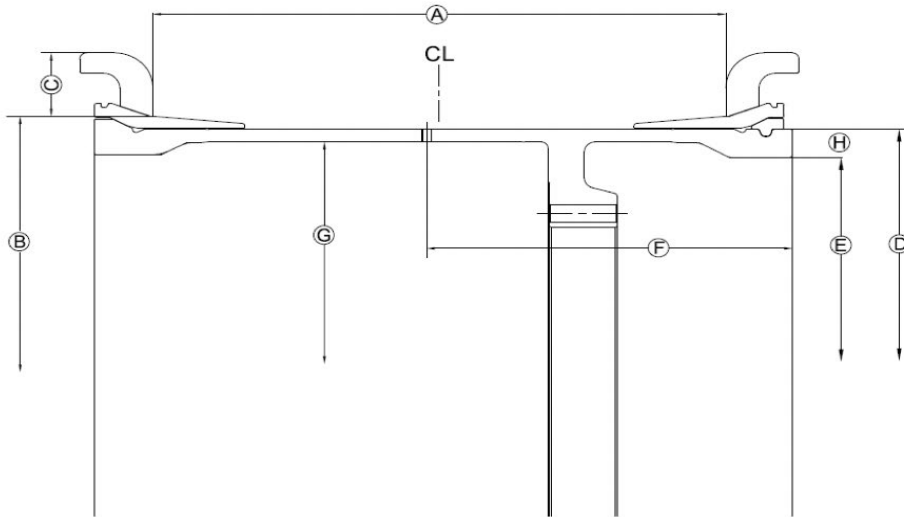


# 6-PIECE RIM ASSEMBLIES

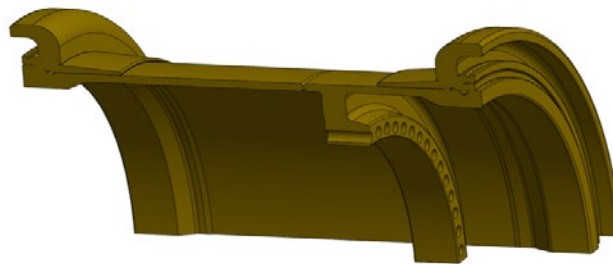
# MINING

## TLS HD 6-PIECE

MINING



RIM SIZE	DIMENSIONS							
DIA.-WIDTH/FLANGE HT	A	B	C	D	E	F	G	H
57-29.00	29	57	6	54.94	51.25	12	53	1.84
63-36.00	36	63	5	60.937	56.5	23.661	58.969	2.22
63-41.00	41	63	5	60.937	56.5	26.181	58.969	2.22
63-44.00	44	63	5	60.937	55.772	15.748	58.969	2.58



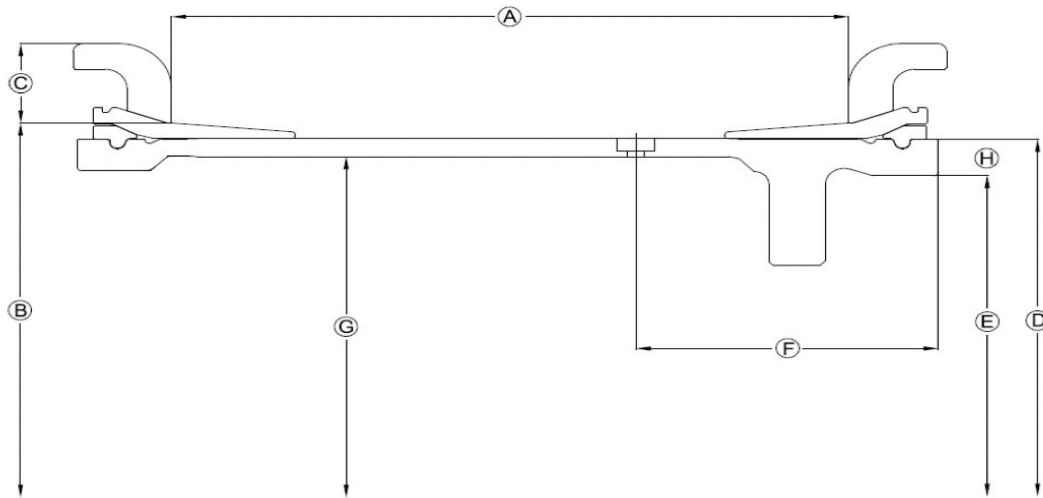
RIM SIZE	PART NUMBERS						
DIA.-WIDTH/FLANGE HT	TIRE SIZE(S)	RIM BASE	BEADSEAT	SIDE FLANGE	LOCK RING	O-RING	ASSY WT
57-29.00	40.00-57, 46/90R57	WB5728601	BB055710	SR605702	LR055703	OR463T	5097
63-36.00	53/80R63	WB6336604	BB056308	SR506305	LR056304	OR463T	6945
63-41.00	55/80R63	WB6341603	BB056308	SR506305	LR056304	OR463T	7192
63-44.00	58/80R63	WB6344601	BB056308	SR506305	LR056304	OR463T	7007



# MINING

## 7-PIECE RIM ASSEMBLIES

### TLS HD 7-PIECE



RIM SIZE	DIMENSIONS							
DIA.-WIDTH/FLANGE HT	A	B	C	D	E	F	G	H
57-29.00	29	57	6	54.937	51.248	11.63	53	1.84
63-36.00	36	63	5	60.937	56.5	23.671	59.031	2.22
63-41.00	41	63	5	60.937	56.5	26.171	59.031	2.22
63-44.00	44	63	5	60.937	57	15.748	58.969	1.97

RIM SIZE	PART NUMBERS						
DIA.-WIDTH/FLANGE HT	TIRE SIZE(S)	RIM BASE	BEADSEAT	SIDE FLANGE	LOCK RING	O-RING	ASSY WT
57-29.00	40.00-57, 46/90R57	WB5729701	BB055710	SR605702	LR055703	OR463T	5331
63-36.00	53/80R63	WB6336706	BB056308	SR506305	LR056304/LR056306	OR463T	7055
63-41.00	55/80R63	WB6341707	BB056308	SR506305	LR056304/ LR056306	OR463T	7300
63-44.00	58/80R63	WB6344702	BB056308	SR506305	LR056304/ LR056306	OR463T	6874



#### DOUBLE-GUTTER WHEELS

OTR designs and manufactures 7-piece double-gutter steel mining wheels ranging in size from 51" to 63", enabling easy demounting without having to remove the inside tire in a dual-tire configuration. Wheel sizes and configurations are compatible with industry standards and popular fitments for retrofitting fleets. Wheels include an integrated Sur-Loc system to prevent inflation if using an incorrectly mounted lock ring. As a result, wheel demounting and operation is safe and efficient.

**TIME SAVINGS:** Standard mining wheels take on average 165 minutes to demount and set-up vs. OTR's wheel design that takes less than half that time, saving up to 85 valuable minutes. This ensures more productivity and utilization for vehicles and machines—the ideal solution for fleets operating 24/7.

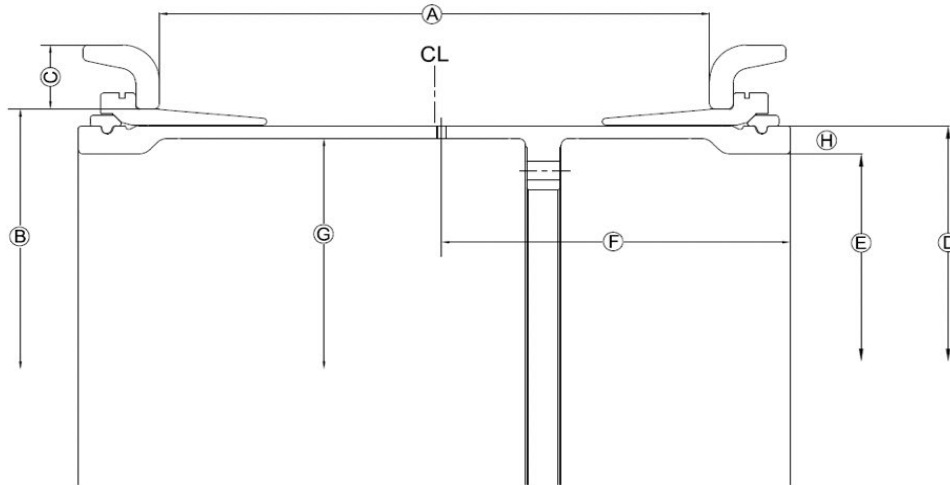




# 7-PIECE RIM ASSEMBLIES

# MINING

## STANDARD 7-PIECE



MINING

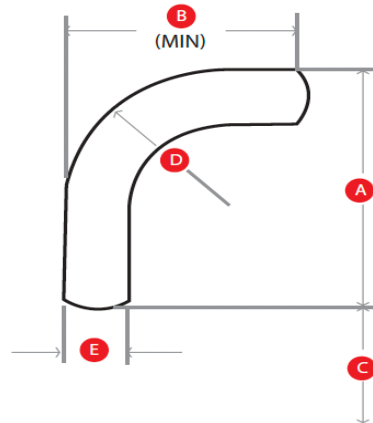
RIM SIZE	DIMENSIONS							
DIA.-WIDTH/FLANGE HT	A	B	C	D	E	F	G	H
63-36.00	36	63	5	60.417	55.787	14.811	58.504	2.32
63-41.00	41	63	5	60.417	56.11	25.984	58.504	2.15
63-44.00	44	63	5	60.417	55.771	15.768	59.646	2.32

RIM SIZE	PART NUMBERS						
DIA.-WIDTH/FLANGE HT	TIRE SIZE(S)	RIM BASE	BEADSEAT	SIDE FLANGE	LOCK RING	O-RING	ASSY WT
63-36.00	53/80R63	WB6336705	BB056301	SR506303	LR056302/LR056305	OR463T	6846
63-41.00	55/80R63	WB6341706	BB056301	SR506303	LR056302/LR056324	OR463T	7240
63-44.00	58/80R63	WB6344701	BB056301	SR506303	LR056302/ LR056305	OR463T	7551



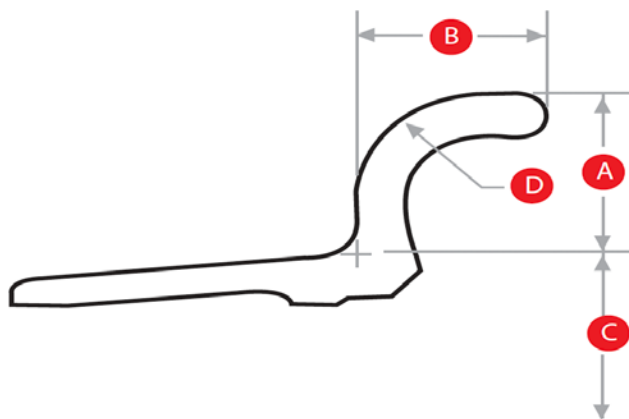


## 25" & 29" FLANGES FOR 5PC RIMS/WHEELS



DIMENSIONS							
RIM DIAMETER	PART NUMBER	A	B-MIN	C	D	E	WEIGHT
25	S2025	2	1.25	25	1.25	0.5	28.1
25	S2525	2.5	1.75	25	1.5	0.63	44.5
25	S3025	3	2.13	25	1.75	0.63	56.2
25	S3525	3.5	2.25	25	2	0.63	66.8
29	S3029	3	2.13	29	1.75	0.63	63.7
29	S3529	3.5	2.25	29	2	0.63	77

## 25" SIDE RINGS FOR 3PC RIMS/WHEELS



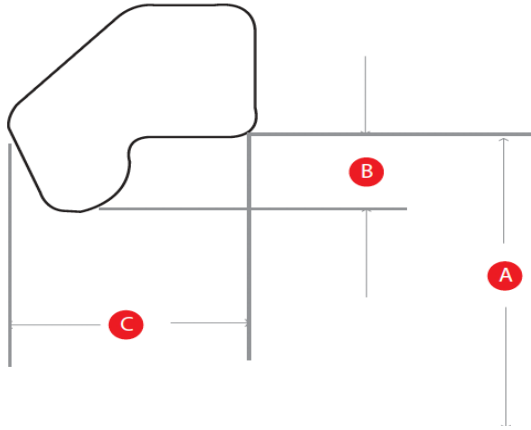
DIMENSIONS						
RIM DIAMETER	PART NUMBER	A	B-MIN	C	D	WEIGHT
25	F25TU 1.3	1.3	1.63	24.95	0.9	35.3
25	F25TG	1.7	0.97	25	0.9	54.6
25	F1025T	1.5	1.07	25	1	42.2
25	SF1725TU	1.7	0.97	25	0.9	54.6



# MINING

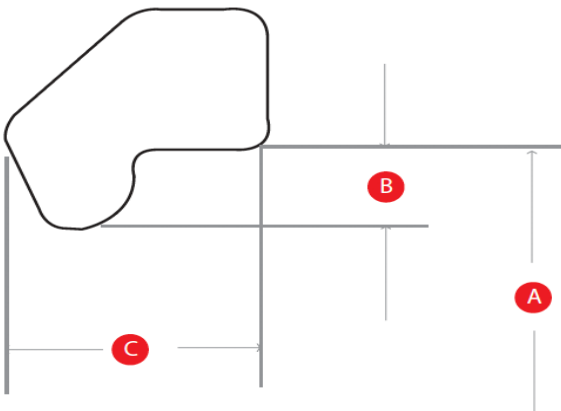
# COMPONENTS

## 25" LOCK RINGS FOR 3PC RIMS/WHEELS



DIMENSIONS					
RIM DIAMETER	PART NUMBER	A	B	C	WEIGHT
25	LR25T	23.6	0.22	0.63	5.42

## 25" & 29" LOCK RINGS FOR 5PC RIMS/WHEELS



5TM LOCK RING

DIMENSIONS					
RIM DIAMETER	PART NUMBER	A	B	C	WEIGHT
25	LR255TM	23.2	0.34	0.97	12.2
29	LR295TM	27.2	0.34	0.97	14.2

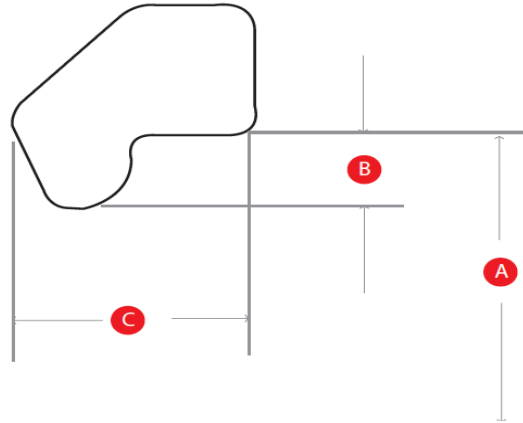


# COMPONENTS

# MINING

## 25" & 29" LOCK RINGS FOR 5PC RIMS/WHEELS

MINING



5TN LOCK RING



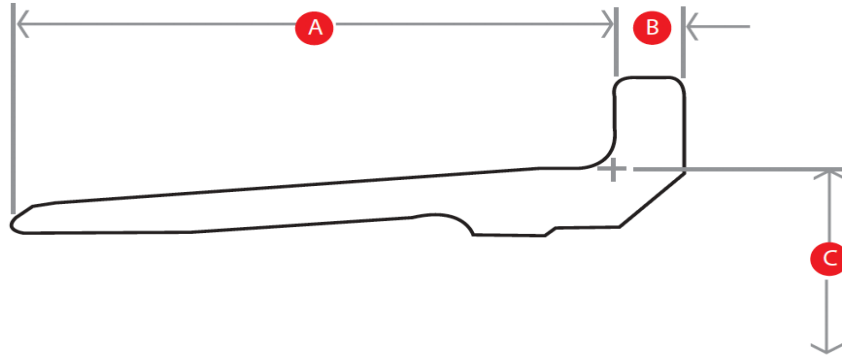
		DIMENSIONS				
RIM DIAMETER	PART NUMBER	A	B	C	DRIVER TYPE	WEIGHT
25	LR255TN	23.2	0.34	0.97	CRIMPED	13
29	LR295TN	27.2	0.34	0.97	CRIMPED	15.2



# MINING

# COMPONENTS

## 25" & 29" BEAD SEAT BANDS FOR 5PC RIMS/WHEELS



RIM DIAMETER	PART NUMBER	DIMENSIONS			DRIVER TYPE	WEIGHT
		A	B	C		
25	BB25STG	5	0.56	25	NONE	58.4
25	BB25STN	5	0.56	25	NOTCH	58.4
25	BB25ST31	5	0.56	25	OUTBOARD	58.3
25	BB25HTG	6.31	0.65	25	NONE	58.4
25	BB25HTN	6.31	0.65	25	NOTCH	70.1
25	BB25HT31	6.31	0.65	25	OUTBOARD	71.4
29	BB29HTG	6.31	0.65	29	NONE	81
29	BB29HTN	6.31	0.65	29	NOTCH	80
29	BB29HT31	6.31	0.65	29	OUTBOARD	82.1



ST31/HT31



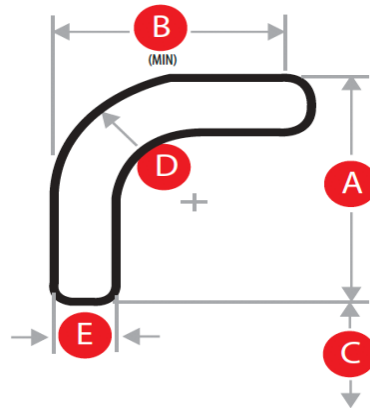
STN/HTN



# COMPONENTS

# MINING

## 33"-49" FLANGES FOR 5PC RIMS/WHEELS



MINING

DIMENSIONS							
RIM DIAMETER	PART NUMBER	A	B	C	D	E	WEIGHT
33	S2533	2.5	1.75	33	1.5	0.63	58
33	S3533	3.5	2.25	33	2	0.63	87.6
33	S4033	4	2.56	33	2.25	0.75	119.6
33	S4533	4.5	2.88	33	2.5	0.75	139.4
35	S3035	3	2.13	35	1.75	0.63	77.4
35	S3535	3.5	2.25	35	2	0.63	92.8
35	S4035	4	2.56	35	2.25	0.75	128.4
39	S4039	4	2.56	39	2.25	0.75	144.2
39	S4539	4.5	2.88	39	2.5	0.75	164.8
45	S4545	4.5	2.88	45	2.5	0.75	188.8
45	S4545HF	4.5	3	45	2.25	0.71	185
45	R4545H	4.5	3.4	45	2.5	1	269
45	R4545EH	4.5	3.5	45	2.25	0.98	278
45	R4545HMS	4.5	3.39	45	2.25	0.98	278
49	H3549A	3.5	3.5	49	2	0.87	174
49	H4049A	4	3.31	49	2.25	0.87	220
49	R4049EH	4	3.39	49	2.25	1.1	293
49	R4049HMS***	4	3.66	49	2.25	0.98	287

\*\*\*HMS is for Hot Forged Seamless Ring

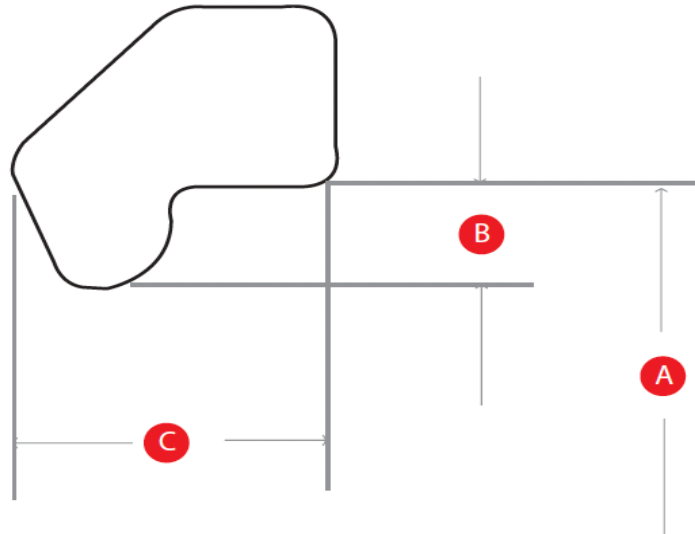


# MINING

# COMPONENTS

## 33"-49" LOCK RINGS FOR 5PC RIMS/

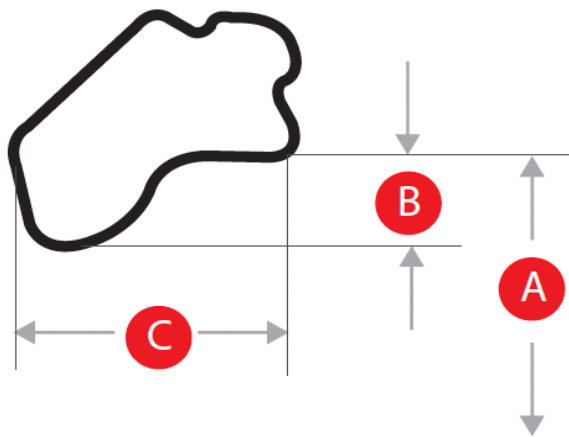
MINING



5TM LOCK RING

### DIMENSIONS

RIM DIAMETER	PART NUMBER	A	B	C	WEIGHT
33	LR335TM	31.2	0.34	0.97	16.2
35	LR355TM	33.2	0.34	0.97	17.2
39	LR395TM	37.4	0.34	0.97	19.4
45	LR455TM	43.2	0.34	0.97	20.9



W LOCK RING

### DIMENSIONS

RIM DIAMETER	PART NUMBER	A	B	C	WEIGHT
33	LR33W	31.1	0.38	1.1	19.7
35	LR35W	33.1	0.38	1.1	20.8
49	LR49W	47.1	0.38	1.1	29.8

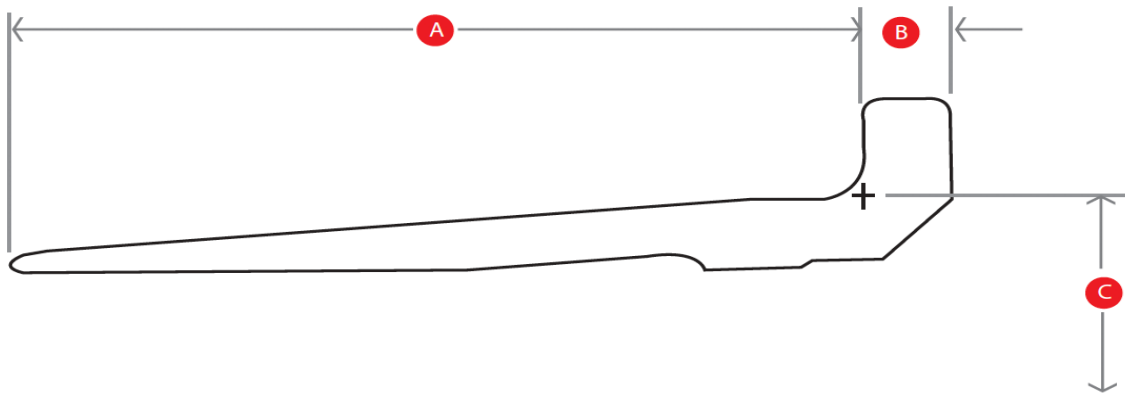




# COMPONENTS

# MINING

## 33"-49" BEAD SEATS FOR 5PC RIMS/



MINING

DIMENSIONS						
RIM DIAMETER	PART NUMBER	A	B	C	DRIVER TYPE	WEIGHT
33	BB33RTG(N)*	6.94	1.13	33	NONE	110.5
33	BB33RTL	6.94	1.13	33	OUTBOARD	111.8
35	BB35RTG	6.94	1.13	35	NONE	118.2
39	BB39RTL	6.94	1.13	39	OUTBOARD	132.6
45	BB45RTG	6.31	1.13	45	NONE	140
45	BB45RTL**	6.31	1.13	45	OUTBOARD	142
49	BB49RTG	6.94	1.13	49	NONE	165.1

\* (N) identifies a bead seat with notches in the outer lip for hydraulic toolaccess; necessary when used with 13.00 wide rim assemblies.

\*\* Identifies bead seat with large outboard driver pocket DP49A.



RTL

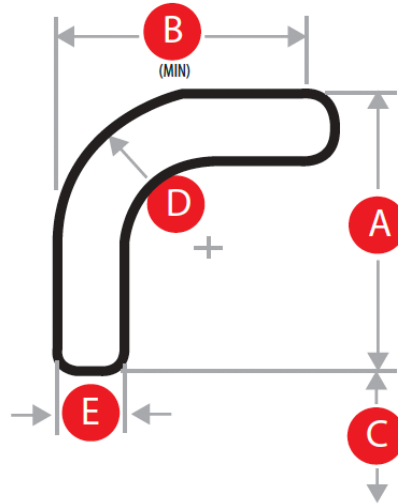


# MINING

# COMPONENTS

## 51" & 57" FLANGES FOR 5PC RIMS/WHEELS

MINING



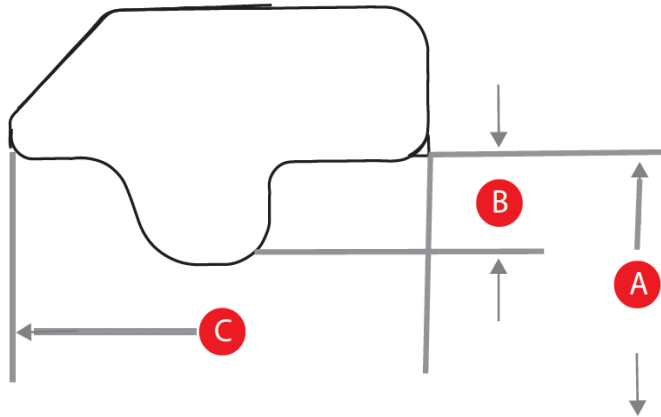
		DIMENSIONS					
RIM DIAMETER	PART NUMBER	A	B	C	D	E	WEIGHT
51	H4551	4.5	2.88	51	2.5	0.88	245.2
51	S4551HF	4.5	3.16	51	2.5	0.71	271
51	R4551HMS SEAMLESS DESIGN	4.5	3.16	51	2.5	0.98	518
51	S5051HF	5	4.09	51	2.75	1.1	450
51	R5051H	5	4	51	2.75	1	360
57	R5051HMS SEAMLESS DESIGN	5	5.16	51	2.75	1.26	573
57	R5057H	5	4.53	57	2.75	0.98	418.9
57	S5057HF	5	5.2	57	2.75	1.1	496
57	R5057 HMS SEAMLESS DESIGN	5	5	57	2.75	1.2	577
57	R6057H	6	5.2	57	2.75	1.1	555.6
57	R6057EH	6	4.44	57	3.3	1	452
57	R6057HMS SEAMLESS DESIGN	6	5.16	57	2.75	1.26	606.3
57	R6557HMS SEAMLESS DESIGN	6	5.16	57	2.75	1.26	617.3
57	S6557HF	6.5	5.16	57	2.75	1.26	661.4



# COMPONENTS

# MINING

## 51" & 57" LOCK RINGS FOR 5PC RIMS/WHEELS

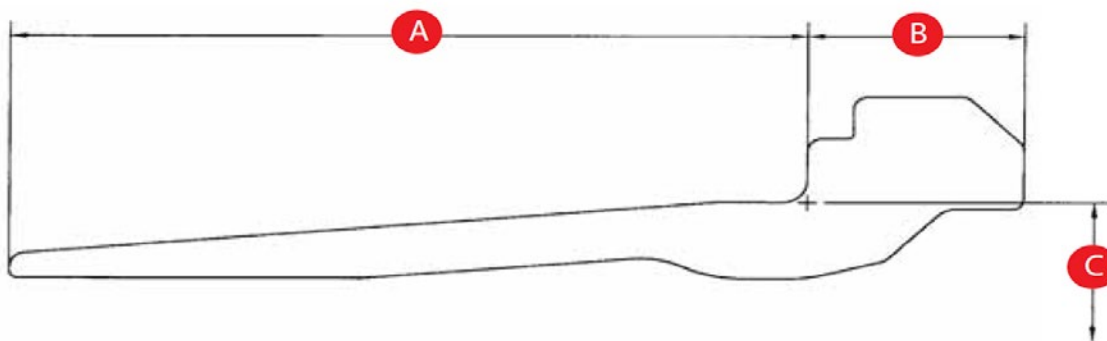


MINING

DIMENSIONS					
RIM DIAMETER	PART NUMBER	A	B	C	WEIGHT
51	LR51HD	48.7	0.55	2.31	94.6
57	LR57HD	54.7	0.55	2.31	105.8

Note: TLS lock rings are also available.

## 51" & 57" BEAD SEAT BAND W/ SURLOC FOR 5PC RIMS/WHEELS



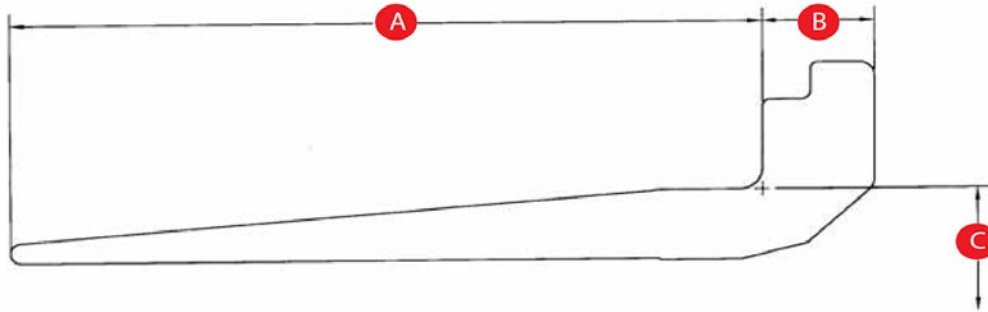
DIMENSIONS						
RIM DIAMETER	PART NUMBER	A	B	C	DRIVER TYPE	WEIGHT
51	BB51EHD	8.75	2.36	51.0	NONE	303.4
57	BB57EHD	8.75	2.36	57.0	NONE	338.0



# MINING

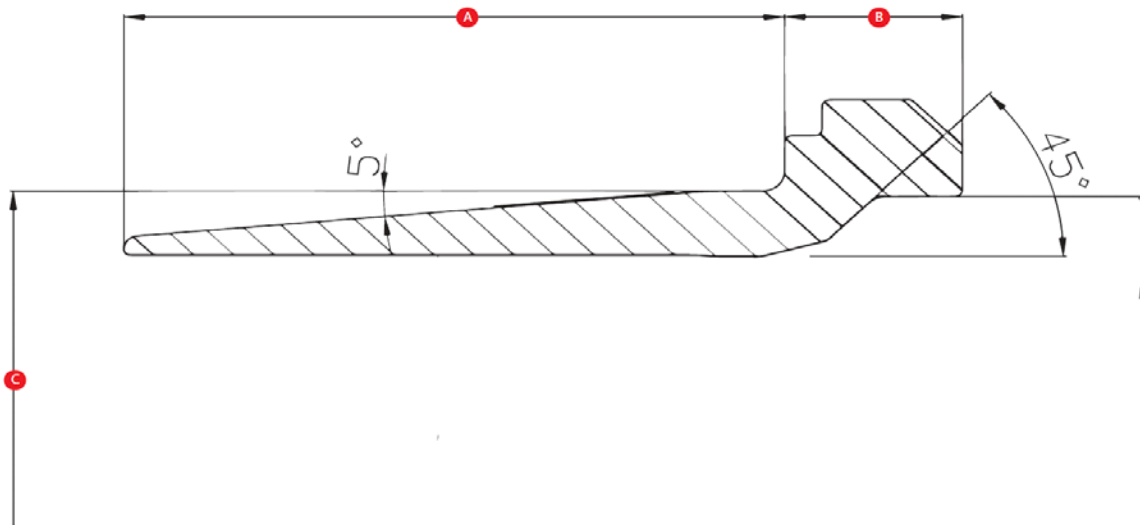
# COMPONENTS

## 51" & 57" BEAD SEAT BANDS FOR HEAVY DUTY 5PC RIMS/WHEELS



DIMENSIONS						
RIM DIAMETER	PART NUMBER	A	B	C	DRIVER TYPE	WEIGHT
51	514870450	9.17	1.38	51.0	NONE	302.0
57	514873250	9.17	1.38	57.0	NONE	341.0

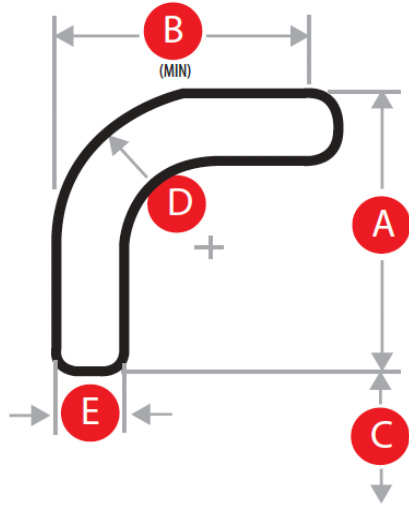
## 57" BEAD SEAT BANDS W/ SURLOC FOR 5PC RIMS/



DIMENSIONS						
RIM DIAMETER	PART NUMBER	A	B	C	DRIVER TYPE	WEIGHT
57	WBB055701	8.74	2.36	57	NONE	440



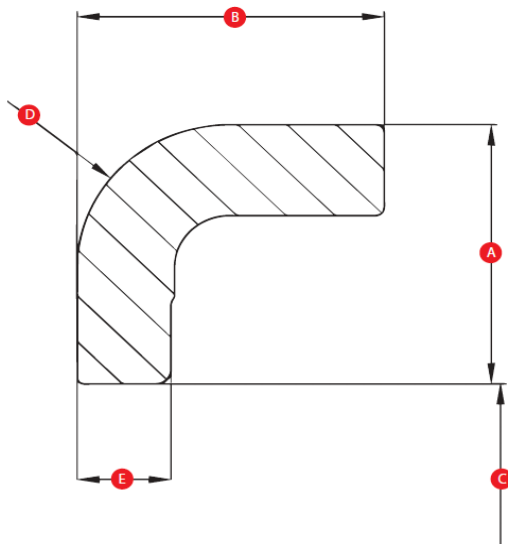
63" FLANGES FOR STANDARD 5PC RIMS/WHEELS



MINING

DIMENSIONS							
RIM DIAMETER	PART NUMBER	A	B-MIN	C	D	E	WEIGHT
63	S5063HF	5	5.59	57	2.75	1.1	610.7
63	R5063 HMS SEAMLESS DESIGN	5	5.51	63	2.75	1.38	670.2

63" FLANGES FOR HEAVY DUTY 5PC RIMS/WHEELS



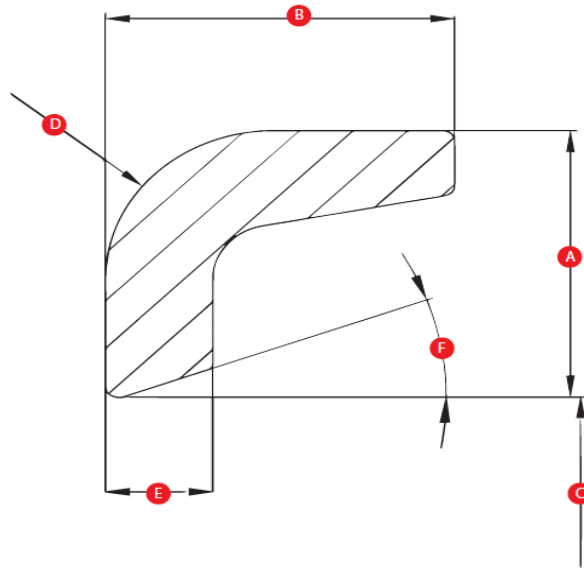
DIMENSIONS							
RIM DIAMETER	PART NUMBER	A	B-MIN	C	D	E	WEIGHT
63	WSR506303	5	5.512	63.051	2.75	1.69	836



# MINING

# COMPONENTS

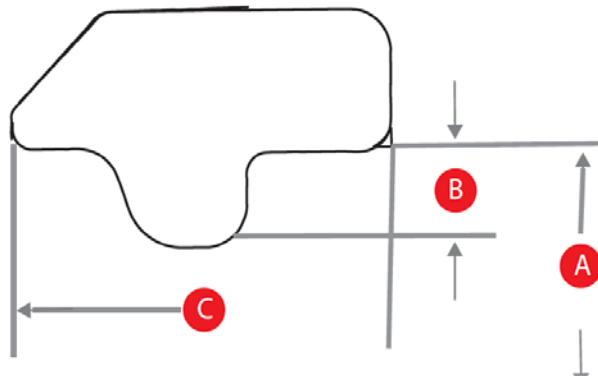
## 63" FLANGES FOR HEAVY DUTY TAPERED 5PC RIMS/WHEELS



### DIMENSIONS

RIM DIAMETER	PART NUMBER	A	B	C	D	E	WEIGHT
63	WSR506304	5	5.512	63.051	2.75	1.75	790

## 63" LOCK RINGS FOR STANDARD 5PC RIMS/WHEELS



### DIMENSIONS

RIM DIAMETER	PART NUMBER	A	B	C	WEIGHT
63	LR63HD	60.7	0.55	2.31	116

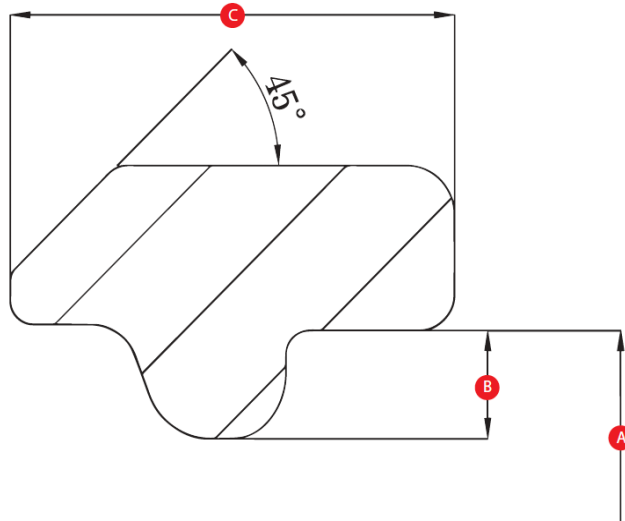


# COMPONENTS

# MINING

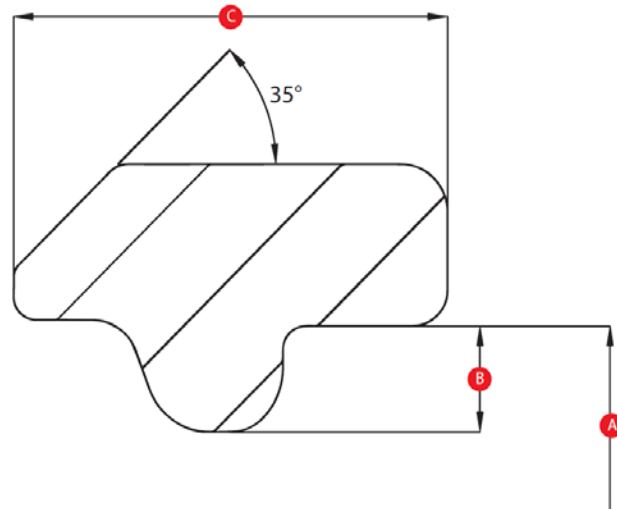
MINING

## 63" LOCK RINGS FOR HEAVY DUTY TAPERED 5PC RIMS/



DIMENSIONS					
RIM DIAMETER	PART NUMBER	A	B	C	WEIGHT
63	LR63HDS	60.417	0.551	2.307	116

## 63" (35°) LOCK RINGS FOR HEAVY DUTY TAPERED 5PC RIMS/



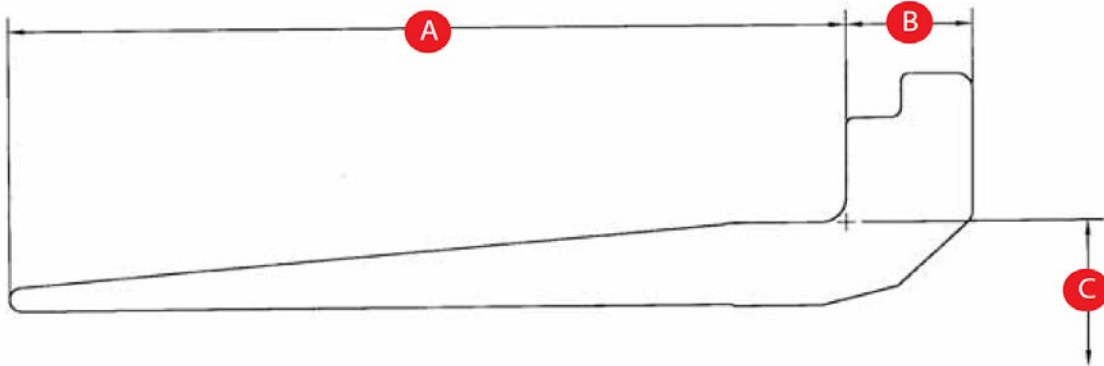
DIMENSIONS					
RIM DIAMETER	PART NUMBER	A	B	C	WEIGHT
63	LR63HDS35	60.417	0.551	2.307	116



# MINING

# COMPONENTS

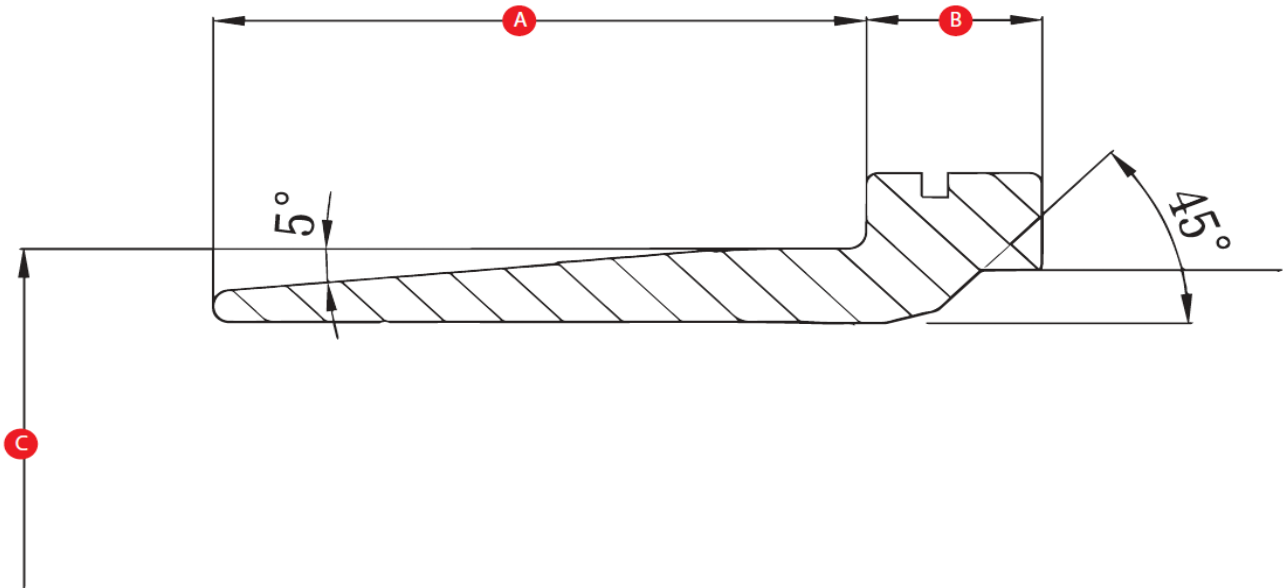
## 63" BEAD SEAT BANDS FOR STANDARD 5PC RIMS/WHEELS



### DIMENSIONS

RIM DIAMETER	PART NUMBER	A	B	C	DRIVER TYPE	WEIGHT
63	WBB056303	9.17	1.38	63	NONE	502

## 63" BEAD SEAT BANDS FOR HEAVY DUTY 5PC RIMS/WHEELS



### DIMENSIONS

RIM DIAMETER	PART NUMBER	A	B	C	DRIVER TYPE	WEIGHT
63	WBB056301	9.748	2.626	63	NONE	702

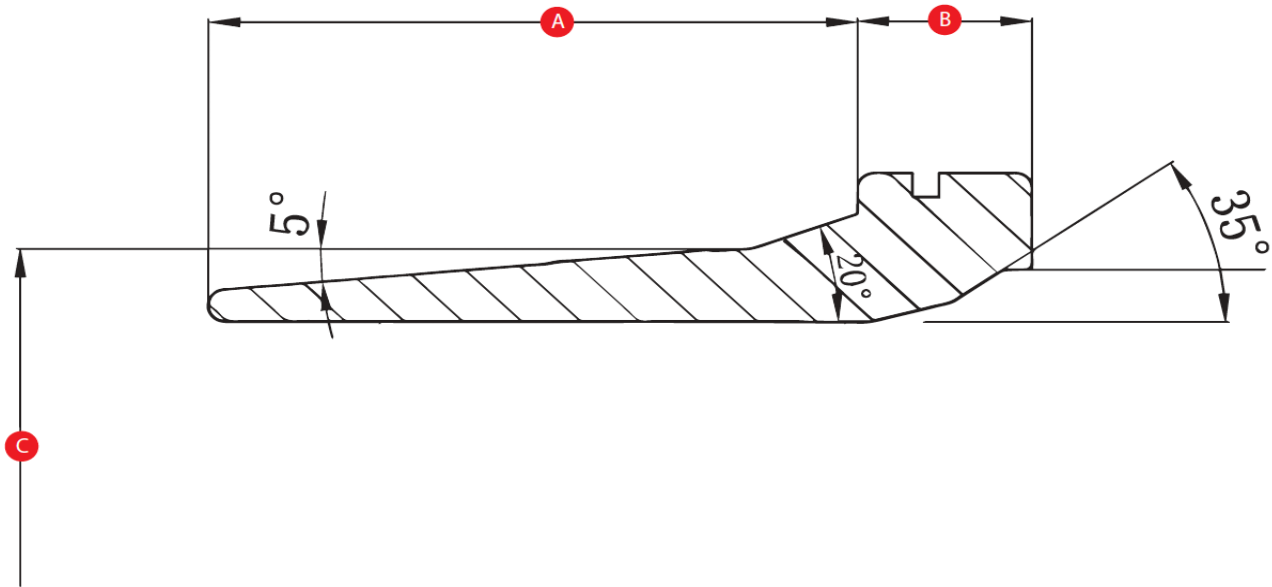




# COMPONENTS

# MINING

## 63" BEAD SEAT BANDS FOR HEAVY DUTY TAPERED 5PC RIMS/



MINING

DIMENSIONS						
RIM DIAMETER	PART NUMBER	A	B	C	DRIVER TYPE	WEIGHT
63	WBB056302	9.748	2.626	63	NONE	781



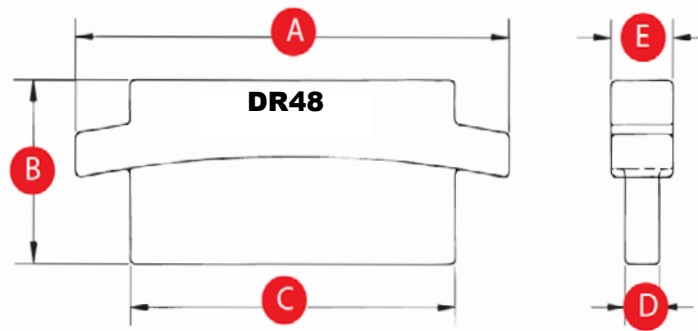
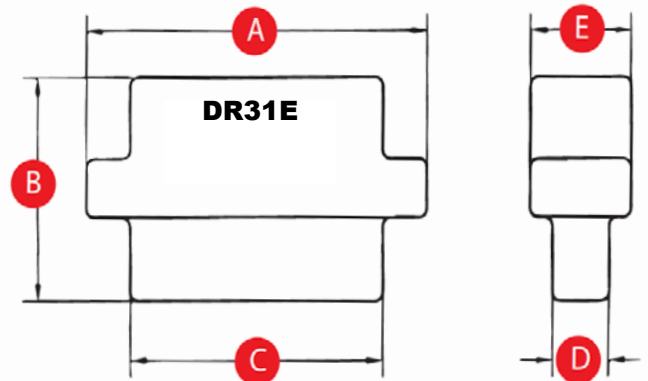
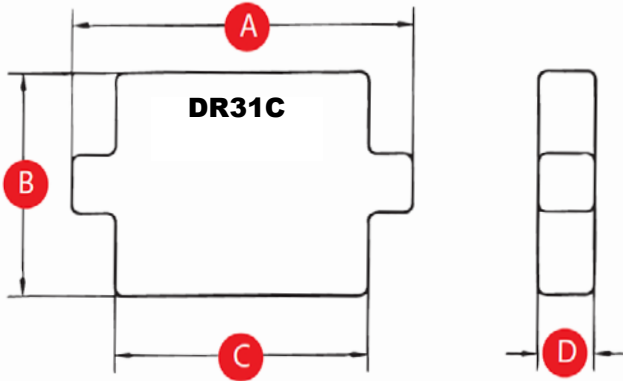


# MINING

# COMPONENTS

## DRIVER KEYS

MINING



DIMENSIONS						
PART NUMBER	A	B	C	D	E	WEIGHT
DR31C	3.88	2.38	2.88	0.64	N/A	1.2
DR31E	3.88	2.38	2.88	0.64	1.14	1.9
DR48	7.875	3.09	5.875	0.625	1.125	4

Note: Part number DR1954 is available for CAT 993 (51"), CAT 994 (57") and LeTourneau (57") applications; DR61C supports commonly used earthmoving wheels from 25-29" in diameter.

Note: Additional information can be provided regarding driver pockets and keys, as well as rim locators. Ask your salesperson for a copy of our guide.

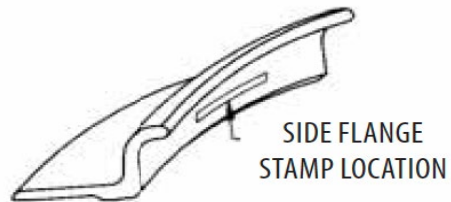
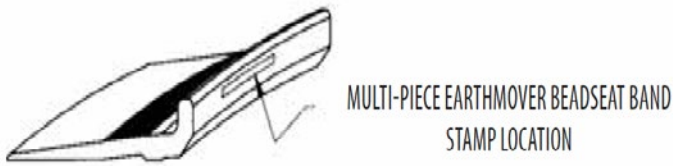
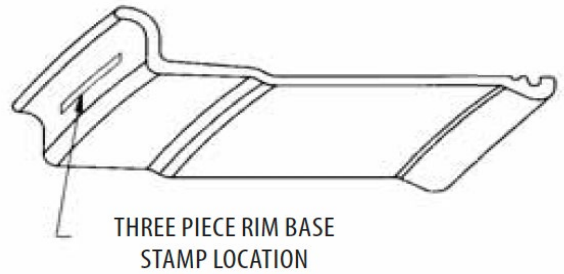
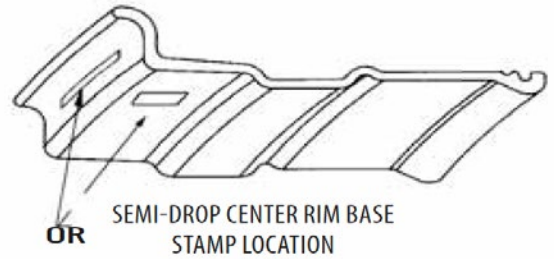
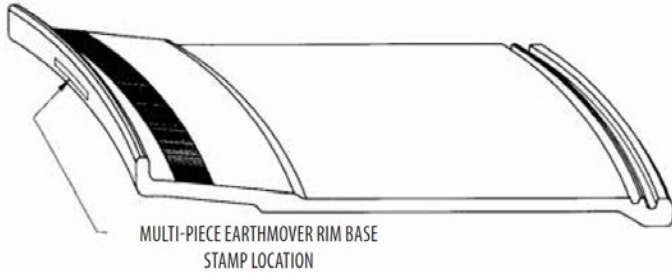


# PART NUMBER LOCATIONS

# MINING

MINING

**THE LOCATION OF THE STAMPED PART NUMBER IS AS FOLLOWS:**



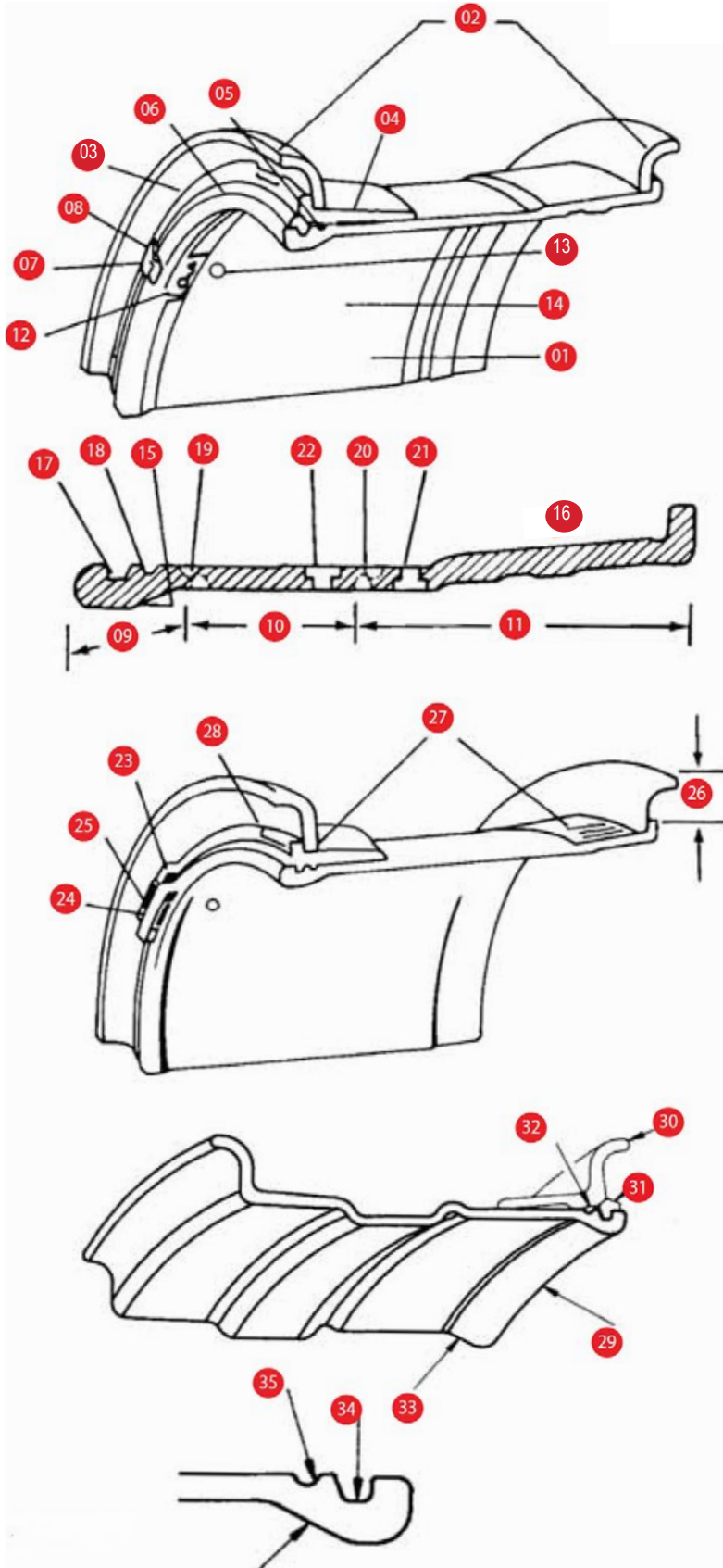
**MAKE SURE PARTS ARE CORRECT SIZE AND TYPE BEFORE ASSEMBLING BY CHECKING THE PART NUMBER ON ALL OF THE RIM COMPONENTS.**



# MINING

## RIM TERMINOLOGY

MINING



1. RIM BASE
2. FLANGES (SIDE RINGS)
3. BEAD SEAT BAND
4. BEAD SEAT 5° TAPER
5. O-RING GASKET
6. LOCK RING
7. LOCK RING DRIVER
8. GUTTER NOTCH FOR LOCK RING DRIVER
9. GUTTER SECTION
10. CENTER BAND SECTION
11. BACK SECTION
12. LOCATION (DEMOUNTABLE RIM ONLY)
13. TUBELESS VALVE HOLE
14. TUBE TYPE SLOT (NOT SHOWN)

15. 28" RIM MOUNTING SURFACE
16. 5° TIRE MOUNTING SURFACE
17. LOCK RING GROOVE
18. O-RING GROOVE
19. GUTTER SECTION WELD
20. BACK SECTION WELD
21. INVERTED VALVE HOLE
22. STANDARD VALVE HOLE

23. OUTBOARD DRIVER POCKET (BEAD SEAT BAND)
24. OUTBOARD DRIVER POCKET (RIM BASE)
25. LOCK RING DRIVER KEY
26. FLANGE HEIGHT
27. SERRATIONS OR KNURLING
28. PRY BAR SLOT

29. RIM BASE
30. SIDE FLANGE
31. LOCK RING
32. O-RING SEAL
33. 28° MOUNTING SURFACE
34. LOCK RING GROOVE
35. O-RING GROOVE

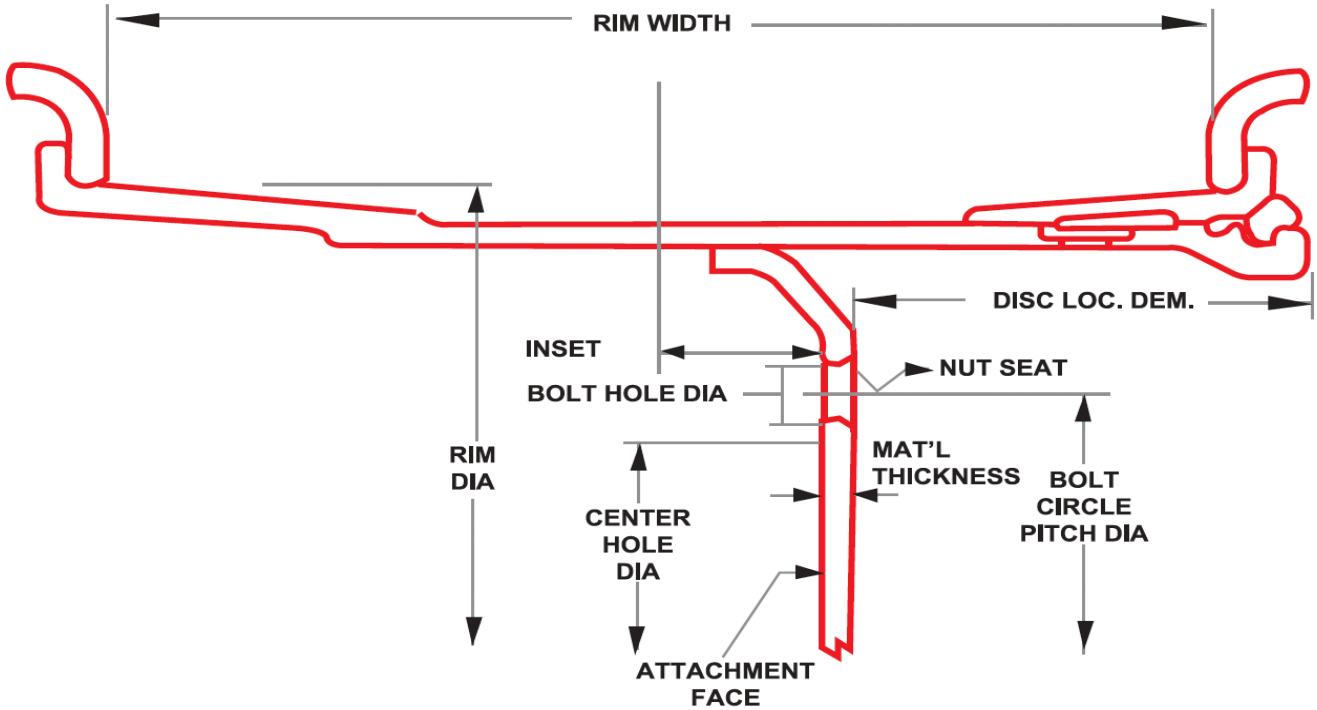


# EXAMPLES OF WHEEL OFFSETS

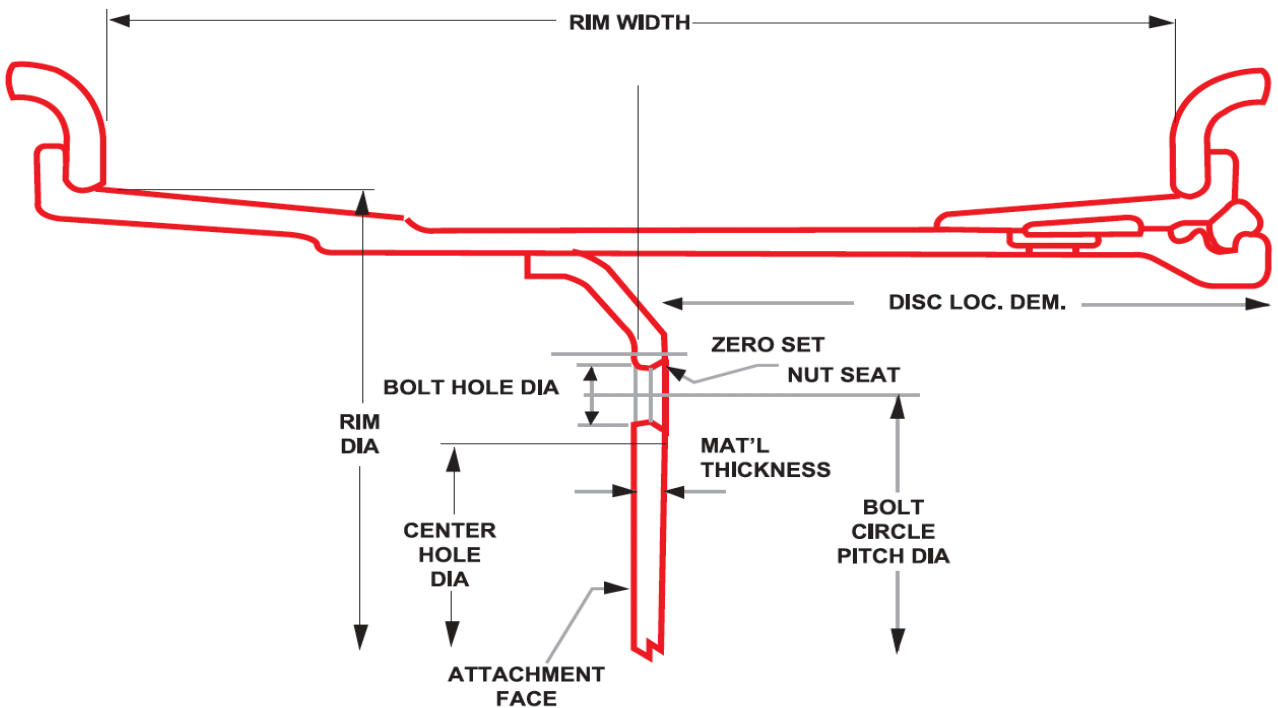
## MINING

MINING

### INSET WHEEL



### ZEROSET WHEEL

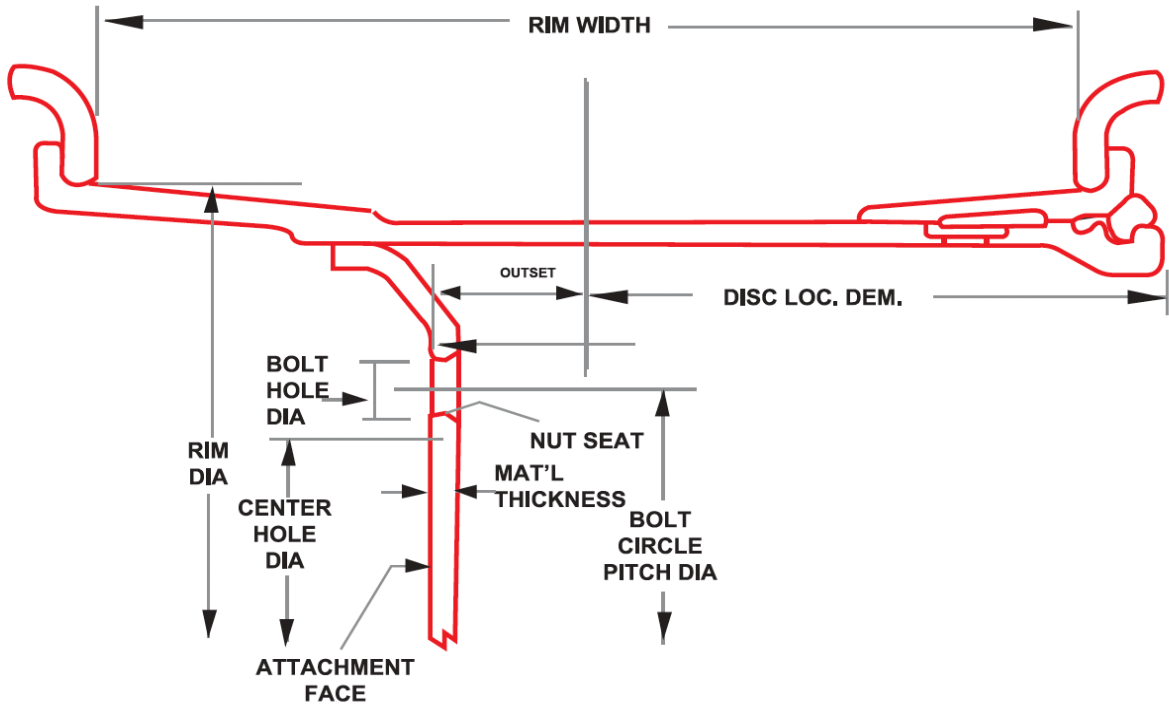




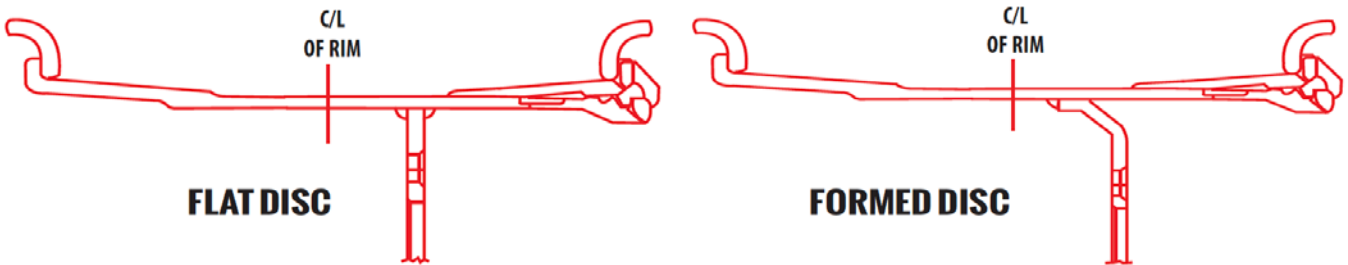
# MINING

## EXAMPLES OF WHEEL OFFSETS

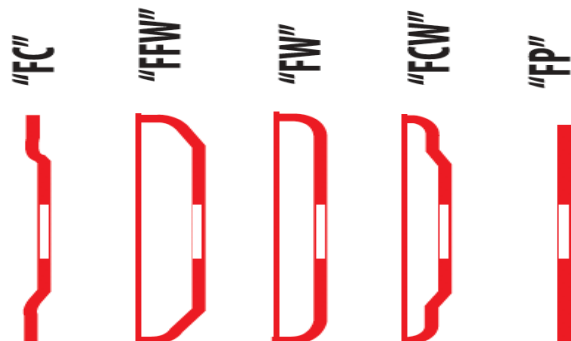
### OUTSET WHEEL



### WHEEL DISC STYLES



### WHEEL DISC TYPES

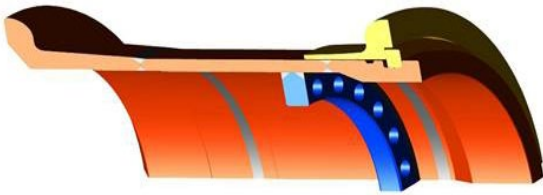


NOTE: FORMED DISC COME IN DIFFERENT



# UNDERGROUND MINING

# MINING



MINING

## UNDERGROUND MINING WHEELS

OTR's mining wheel line-up for underground haulers and loaders are available in 3- and 4-piece configurations (shown above). Manufactured by OTR, these steel wheels feature 100% seamless, hot-forged components with HSLA grade steel for critical components. A Nut Guard option is available for select units for gutter and driver pocket protection, as well as driver locking systems for high-torque applications. Wheels are supplied to OEMs and the aftermarket, with precise fitments for popular vehicles and machine used underground.



20x10 3-piece UGM HD wheel assembly manufactured in-house; 100% seamless, hot-forged components.



20x15 3-piece UGM HD wheel assembly manufactured in-house; 100% seamless, hot-forged components.



24x8.5 3-piece UGM HD wheel assembly with integrated NUT GUARD feature for gutter and driver pocket protection.

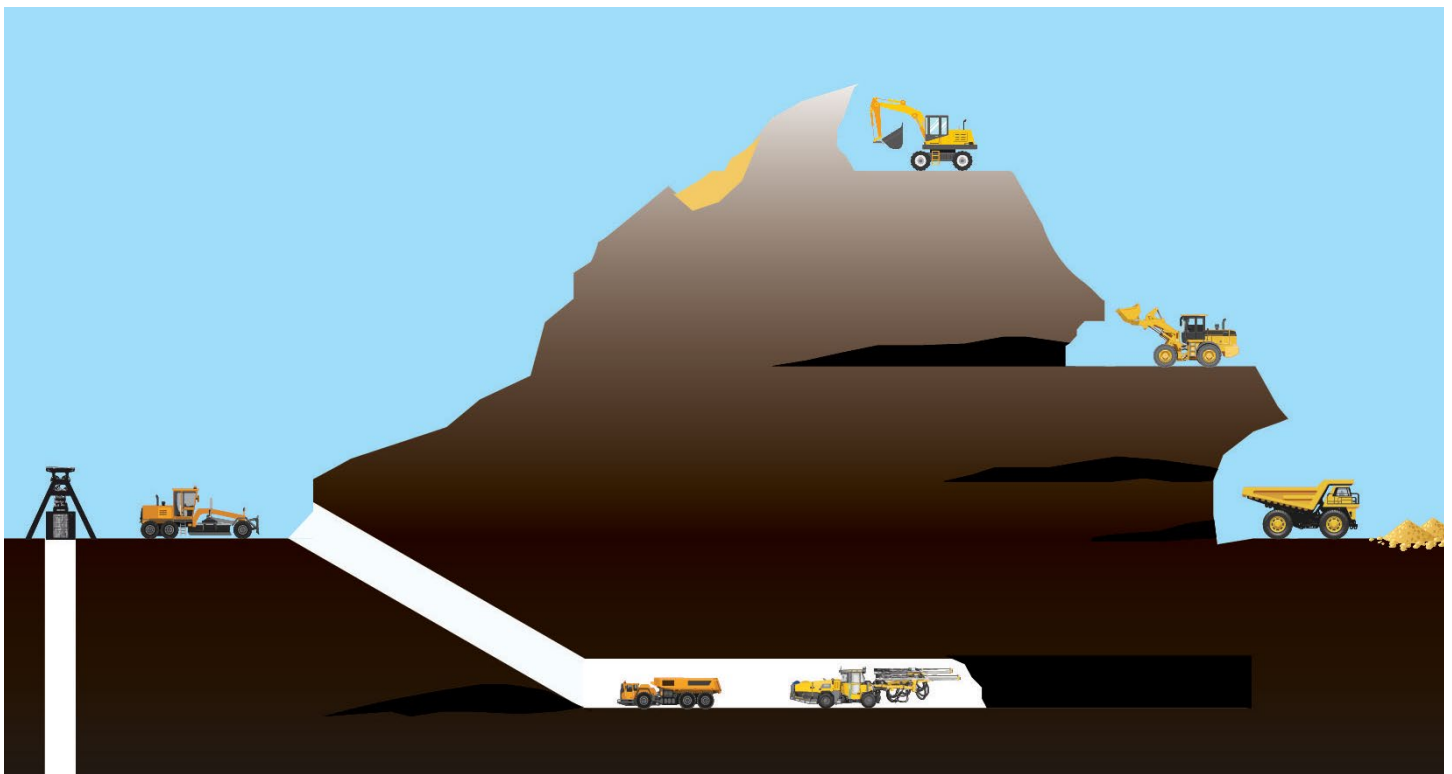


25x14 3-piece UGM HD wheel assembly manufactured in-house; 100% seamless, hot-forged components.



25x14 3 piece UGM HD wheel assembly with driver locking system for high-torque applications.

Note: Other sizes available.





# MINING

# TIRE SHIELDS

**OTR TIRE SHIELDS** protect valuable assets from sidewall damage caused by punctures and cuts, thus ensuring continued vehicle mobility especially on extreme terrain. This in turn reduces downtime while enhancing safety for the operator and workers at the jobsite. Constructed with a durable composite material, shields are also lightweight so there is minimal impact on overall vehicle weight and no disruption in tire balance. Easy to install, shields mount directly to hub flanges via custom lock and adapter rings, with lug nut protection. There are eight part numbers, with additional sizes coming soon.



MINING

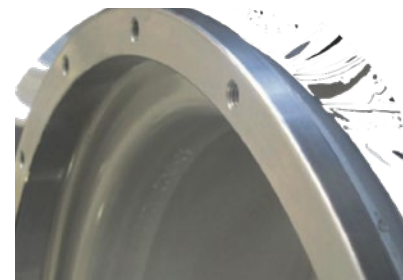
PART #	TIRE	WHEEL
TS20578160965	12.00-20	20X8
TS25702261135	14.00-25	25X11.25
TS60471-01	16.00-25	25X11.25
TS60471-01	23.5R25	25X19.5
TS25730261379	18.00-25	25X13
TS60457-01	305/85R22.5	20X10
TS604384-01	26.5R25	25X22
TS60514-01	29.5R25	25X25



Lug nut protector provides added protection.



Mounts directly to the attached mounting ring



OTR Wheel Engineering can integrate the mounting ring or pattern to your wheels



### REDUCE LIFE CYCLE COST

OTR tire shields reduce tire cycle costs by keeping expensive tires out of harm's way. This also reduces labor cost to replace tires. Less downtime means more productivity and machine utilization—critical success factors for fleet operations at jobsites with deadlines to meet. The assembly is easy to install and validated by OEMs in the field.





# WHEEL INSPECTION

# MINING



MINING

## WHEEL INSPECTION & RECERTIFICATION

OTR's after-sale support includes a proven wheel inspection and recertification process for vehicles used at mine sites. This capability is enhanced by OTR's experience in developing and supplying heavy-duty wheels to OEMs, resulting in a core competency that can be leveraged for dealers and end users alike. If wheels are determined to be defective, OTR will work with the OEM, dealer or end user to specify and supply OEM-approved replacements. The process employed ensures safe demounting, with documentation for future reference. Contact your OTR salesperson to discuss how to start this process.

- Verification of wheel condition; isolates defective wheels or wheels nearing end-of-life before there is a potential danger.
- Documentation of wheel duty cycle, application, visible wear and hidden issues, using a proprietary ultrasound scoping technique to identify potential failures.
- Full report documenting findings, for traceability purposes.
- Training for customer's sales staff and end users, including how to use go/no-go gauges.

OTR can also provide custom-designed go/no-go gauges to verify wheel compliance (pictured below).





# FORESTRY





## FORESTRY

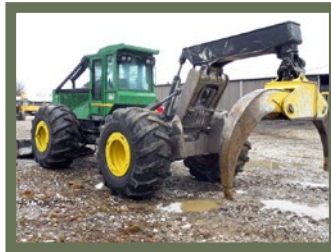
# WHEELS

### BEST-IN-CLASS FORESTRY WHEELS

OTR manufactures and supplies steel wheels for forestry machinery such as feller bunchers, skidders, loaders and forwarders for original equipment manufacturers (OEMs) and the aftermarket. Our applications-specific steel wheels are regarded as best-in-class, designed for extreme-duty and long-life with exceptional value as well. Wheels are also designed for plug & play replacements of other brands, including stock units, and can be modified for unique end user requirements.

Typical rim sizes range from 25"-32", with standard, dual disc, inside dual, outside dual and custom configurations.. Key benefits include:

- OEM compliant designs, validated in real-world use
- Center discs—flat or formed—manufactured with precise tolerances for longevity and fitment
- Beads and belly band sleeves reinforced for improved strength and load distribution
- Inside dual wheels (ISD) feature dual-ring welded to wheel, with 4 gussets on rear for strength and stability
- Assemblies welded using robotic, automatic and submerged arc machines
- Valve guards added for ALL wheels
- Tire size recommendations and mounting services available
- Data base covering critical backspacing to ensure clearance for attachments, hydraulic rams, bump guards, etc.





# WHEELS

## FORESTRY



### CAT/WEILER

FORESTRY

PART #	MAKE	TIRE SIZE	WHEEL SIZE	CONFIGURATION	BOLT PATTERN	BACKSPACE
32X27W005	CAT/WEILER	30.5X32	32 X 27	INSIDE DUAL	20	15
3227034	CAT/WEILER	30.5X32	32 X 27	INSIDE DUAL	20	16
32X27W017	CAT/WEILER	30.5X32	32 X 27	STANDARD	20	15
32X27W015	CAT/WEILER	30.5X32	32 X 27	INSIDE DUAL	24	11
3227022	CAT/WEILER	30.5X32	32 X 27	INSIDE DUAL	24	15
3227016	CAT/WEILER	30.5X32	32 X 27	STANDARD	24	11
32X31W016	CAT/WEILER	35.5 X 32	32 X 31	STANDARD	20	11
32X31W003	CAT/WEILER	35.5 X 32	32 X 31	STANDARD	20	15
32X31W017	CAT/WEILER	35.5 X 32	32 X 31	INSIDE DUAL	24	11
32X31W024	CAT/WEILER	35.5 X 32	32 X 31	INSIDE DUAL	24	15
32X31W010	CAT/WEILER	35.5 X 32	32 X 31	STANDARD	24	11
32X31W011	CAT/WEILER	35.5 X 32	32 X 31	STANDARD	24	15
32X36W008	CAT/WEILER	73X44.00-32	32 X 36	STANDARD	24	11
32X44W004	CAT/WEILER	66,68,76X5000-32	32 X 44	STANDARD	20	14



# FORESTRY

# WHEELS

## JOHN DEERE WHEELS



FORESTRY

PART #	MAKE	TIRE SIZE	WHEEL SIZE	CONFIGURATION	BOLT PATTERN	BACKSPACE
2530090-572	JOHN DEERE	67-34.00-25	25 X 30 3P	STANDARD	14	10.7
26X25W015	JOHN DEERE	28L26	26 X 25	INSIDE DUAL	14	10
26X25W026-572	JOHN DEERE	28L26	26 X 25	STANDARD	14	8
3221009-572	JOHN DEERE	24.5X32	32 X 21	OUTSIDE DUAL	12	0
3221010	JOHN DEERE	24.5X32	32 X 21	OUTSIDE DUAL	24	0
3227026-572	JOHN DEERE	30.5X32	32 X 27	OUTSIDE DUAL	12	0
32X27W009-572	JOHN DEERE	30.5X32	32 X 27	INSIDE DUAL	14	8
3227017-572	JOHN DEERE	30.5X32	32 X 27	STANDARD	14	8.5
3227032	JOHN DEERE	30.5X32	32 X 27	INSIDE DUAL	20	16
32X27W014	JOHN DEERE	30.5X32	32 X 27	STANDARD	20	16
32X31W008-572	JOHN DEERE	35.5 X 32	32 X 31	INSIDE DUAL	14	8
32X31W027-572	JOHN DEERE	35.5 X 32	32 X 31	STANDARD	14	8
32X31W023-572	JOHN DEERE	35.5 X 32	32 X 31	STANDARD	14	10
3231008	JOHN DEERE	35.5 X 32	32 X 31	INSIDE DUAL	20	16
32X31W036	JOHN DEERE	35.5 X 32	32 X 31	STANDARD	20	14
32X31W007	JOHN DEERE	35.5 X 32	32 X 31	STANDARD	20	16
32X36W006-572	JOHN DEERE	73X44.00-32	32 X 36	STANDARD	14	8
3236012-572	JOHN DEERE	73X44.00-32	32 X 36	STANDARD	14	10
3236013	JOHN DEERE	73X44.00-32	32 X 36	STANDARD	20	16
32X44W003	JOHN DEERE	66,68,76X5000-32	32 X 44	STANDARD	14	8
3244005	JOHN DEERE	66,68,76X5000-32	32 X 44	STANDARD	20	16



### SOLVING FORESTRY MOBILITY PROBLEMS

OTR's portfolio of standard wheels and components provides a high degree of customization possibilities for end user applications. Timber harvesting is a tough business, requiring equipment that can withstand heavy loads, shock and vibration and harsh weather. Typical issues arising in regards to mobility include:

- Wheel failures due to inadequate design, light-duty construction and poor sealing interfaces that cause air leaks
- "System" not optimized, e.g. wheel design counteracts flotation requirement, resulting unstable ride and premature wear
- New tire used/desired but optimized wheel not available

Consult with your OTR salesperson for more information.



# WHEELS

## FORESTRY



### TIGERCAT WHEELS

FORESTRY

PART #	MAKE	TIRE SIZE	WHEEL SIZE	CONFIGURATION	BOLT PATTERN	BACKSPACE
2530090	TIGERCAT	67-34.00-25	25 X 30 3P	STANDARD	14	10.7
2625035	TIGERCAT	28L26	26 X 25	INSIDE DUAL	14	9.75
26X25W026-572	TIGERCAT	28L26	26 X 25	STANDARD	14	8
2625065	TIGERCAT	28L26	26 X 25	STANDARD	14	10
3221009	TIGERCAT	24.5X32	32 X 21	OUTSIDE DUAL	12	0
3227026	TIGERCAT	30.5X32	32 X 27	OUTSIDE DUAL	12	0
32X27W009	TIGERCAT	30.5X32	32 X 27	INSIDE DUAL	14	8
32X27W021	TIGERCAT	30.5X32	32 X 27	INSIDE DUAL	14	10
32X27W018	TIGERCAT	30.5X32	32 X 27	STANDARD	14	8
32X27W011	TIGERCAT	30.5X32	32 X 27	STANDARD	14	10
3227012	TIGERCAT	30.5X32	32 X 27	INSIDE DUAL	18	18
3227015	TIGERCAT	30.5X32	32 X 27	INSIDE DUAL	18	21
3227050	TIGERCAT	30.5X32	32 X 27	STANDARD	18	14
3227040	TIGERCAT	30.5X32	32 X 27	STANDARD	18	18
32X31W008	TIGERCAT	35.5 X 32	32 X 31	INSIDE DUAL	14	8
3231017	TIGERCAT	35.5 X 32	32 X 31	INSIDE DUAL	14	11.5
32X31W027	TIGERCAT	35.5 X 32	32 X 31	STANDARD	14	8
31X31W023	TIGERCAT	35.5 X 32	32 X 31	STANDARD	14	10
3231007	TIGERCAT	35.5 X 32	32 X 31	STANDARD	14	11.5
3231012	TIGERCAT	35.5 X 32	32 X 31	INSIDE DUAL	18	15
3231004	TIGERCAT	35.5 X 32	32 X 31	INSIDE DUAL	18	18
3231006	TIGERCAT	35.5 X 32	32 X 31	STANDARD	18	16
32X31W026	TIGERCAT	35.5 X 32	32 X 31	STANDARD	18	18
32X36W005	TIGERCAT	73X44.00-32	32 X 36	STANDARD	18	16
3236022	TIGERCAT	73X44.00-32	32 X 36	STANDARD	18	18
32X44W003	TIGERCAT	66,68,76X5000-32	32 X 44	STANDARD	14	8
32X44W007	TIGERCAT	66,68,76X5000-32	32 X 44	STANDARD	14	10
3244007	TIGERCAT	66,68,76X5000-32	32 X 44	STANDARD	18	18



# FORESTRY

# WHEELS

## CUSTOM ASSEMBLIES



FORESTRY

TIRE SIZE	WHEEL SIZE	CONFIGURATION	BOLT PATTERN	BACKSPACE	PART #	MAKE
67-34.00-25	25 X 30 3P	STANDARD	0	0	TBD	N/A
67-34.00-25	25 X 30 3P	INSIDE DUAL	0	0	TBD	N/A
66-43.00-25	25 X 36 3P	STANDARD	0	0	TBD	N/A
18.4X26	26 X 16	STANDARD	0	0	TBD	N/A
23.1X26	26 X 20	STANDARD	0	0	TBD	N/A
23.1X26	26 X 20	INSIDE DUAL	0	0	TBD	N/A
28L26	26 X 25	STANDARD	0	0	TBD	N/A
28L26	26 X 25	INSIDE DUAL	0	0	TBD	N/A
67/34.00-26	26 X 30	STANDARD	0	0	TBD	N/A
24.5X32	32 X 21	STANDARD	0	0	TBD	N/A
24.5X32	32 X 21	INSIDE DUAL	0	0	TBD	N/A
30.5X32	32 X 27	STANDARD	0	0	TBD	N/A
30.5X32	32 X 27	OUTSIDE DUAL	0	0	TBD	N/A
30.5X32	32 X 27	INSIDE DUAL	0	0	TBD	N/A
35.5X32	32 X 31	STANDARD	0	0	TBD	N/A
35.5X32	32 X 31	STANDARD	0	0	TBD	N/A
35.5X32	32 X 31	INSIDE DUAL	0	0	TBD	N/A
73X44.00-32	32 X 36	INSIDE DUAL	0	0	TBD	N/A
73X44.00-32	32 X 36	STANDARD	0	0	TBD	N/A
66,68,76X5000-32	32 X 44	STANDARD	0	0	TBD	N/A

Call for more information if you have these tire & wheel sizes.





# APPLICATIONS

## FORESTRY



### APPLICATIONS TIPS

In looking for the right wheel, it is necessary to identify the make and model of the machine, number of bolt holes in the wheel and the backspacing required. Reference the following tables for common tire and wheel sizes and brand fitments:

TIRE SIZE	WHEEL SIZE
18.4 x 26	26 x 16
23.1 x 26	26 x 20
28 L 26	26 x 25
67/34.00-26	26 x 30
24.5 x 32	32 x 21
30.5 x 32	32 x 27
35.5 x 32	32 x 31
73/44.00-32	32 x 36
67/25.00-25	25 x 30 3 PIECE

MAKE	BOLT HOLES	BACKSPACING
JOHN DEERE	14	8", 10"
JOHN DEERE	20	16"
JOHN DEERE	31	23.5", 25.6"
TIGERCAT	14	8", 10", 13.5", 15"
TIGERCAT	18	15", 18", 21"
CAT	16	8"
CAT	20	11", 15"
CAT	24	11", 15"



# AGRICULTURE





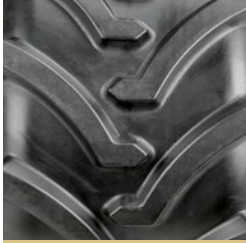
# AGRICULTURE

# QUICK REFERENCE GUIDE

AGRICULTURE



**XT-41 134**



**LAWN TRAC 134**



**TRACTION MASTER 135**



**CROP MASTER 135**



**FIELD MASTER 136**



**CROP TRACX 136**



**GC-703 137**



# QUICK REFERENCE GUIDE

# AGRICULTURE

AGRICULTURE



**BIG FOOT 137**



**I-1 RIB 138**



**LITEFOOT G1/R1 138**



**LITEFOOT PRO 139**



**RAIN MASTER 139**



**RAINMAX 140**



**TRAILER TIRES 141**





# AGRICULTURE

# XT-41

**XT-41** is a "hybrid" crossover tire blending R4 and R1 tread patterns for maximum flexibility in operating on- or off-road. Its high tread-to-void ratio makes it the ideal choice for operating on hard surfaces, with overlapping center tread blocks that reduce wear and improve ride comfort. It also features rock ejectors in between lugs to ensure high performance when operating in wet or muddy conditions.



PART #	DESCRIPTION	PR	PSI	OD	SW	RIM	LOAD
T198041885010	18X8.50-10	4	22	17.92	7.88	10X7	780@10MPH
T198062385012	23X8.50-12	6	35	22.8	8.35	12X7	1470@10MPH
T1980426120012	26X12.00-12	4	20	26.07	11.84	12X10.5	1760@10MPH
T1980612165	12-16.5	6	40	33.48	11.69	16.5X9.75	4180@5MPH

Other sizes and tread patterns available.



**XT-41** is a game-changing tire for a wide range of mobility needs, particularly for compact equipment operating on- or off-road. Its unique design delivers exceptional traction on soft, wet ground or hard pack, providing an excellent value for fleets and owner-operators.

# LAWN TRAC



**LAWN TRAC** provides an open, deep lug design with large footprint that maximizes ground contact for better grip—an excellent all-around solution for operating on muddy fields or hills. It's self-cleaning, with lugs designed to eject mud and debris away from the tire, so there is no slowing down.

PART #	DESCRIPTION	PR	PSI	OD	SW	RIM	LOAD
T10004167508	16X7.50-8	4	24	16	7.5	8X5.375	710@10MPH
T10004188508	18X8.50-8	4	22	18.11	8.38	8X7	825@10MPH
TR10004189508	18X9.50-8	4	22	18.07	9.3	8X7	825@10MPH
T100041885010	18X8.50-10	4	22	18.1	7.6	10X7	780@10MPH
T1000423105012	23X10.50-12	4	20	22.8	10.5	12X8.5	1320@10MPH
T1000424120012	24X12.00-12	4	20	23.94	12.13	12X10.5	1710@10MPH
T1000426100012	26X10.00-12	4	22	25.85	10.28	12X8.5	1710@10MPH
T1000426120012RG*	26X12.00-12	4	20	26	12	12X10.5	1760@10MPH
T1000426120012	26X12.00-12	4	20	25.98	12.28	12X10.5	1760@10MPH

\*Rim Guard



# TRACTION MASTER

## AGRICULTURE



**TRACTION MASTER** features deep, flat, layered lugs for superior grip and handling on soft ground, with extra-wide shoulders and rim guards for protection against side impact. It's cut and puncture-resistant, with a design that is self-cleaning.

PART #	DESCRIPTION	PR	PSI	OD	SW	RIM	LOAD
T17087216	7.2-16	8	48	29.44	7.1	16X6	910@20MPH
T190670016	7-16	6	36	29.4	7.1	16X5	1100@20MPH
T17068316	8.3-16	6	34	31.17	8.64	16X6	1330@20MPH
T170680016	8-16	6	28	31.7	8	16X6	1360@20MPH
T170880018	8-18	8	28	32.4	8	18X6	1480@20MPH
T13082912515	29X12.5-15	8	40	28.95	12.45	15X10	1980@10MPH
T130831155015	31X15.50-15	8	45	31.03	14.31	15X13	3645@10MPH

AGRICULTURE

# CROP MASTER

**CROP MASTER** features a field-friendly R1 tread with heavy-duty construction that covers all the bases. Durable and long-lasting, it has exceptional flotation characteristics and load capacity. Its directional lug design and contact area ensure traction and handling on a variety of surfaces, wet or dry, providing for minimal soil compaction and ride comfort. This tire truly masters the mobility requirements of field work, all season long.



PART #	DESCRIPTION	PR	PSI	OD	SW	RIM	LOAD
T60069516R1	9.5-16	6	32	33.5	9.5	16X8	1605@20MPH
T60089522R1	9.5-22	8	40	40.04	9.65	22X7	1760@20MPH



## AGRICULTURE

# FIELD MASTER

AGRICULTURE

**FIELD MASTER** features an aggressive tread with angled lugs to enhance grip on rough terrain. Its wide stance and reinforced casing ensure stability and durability, providing a flexible solution for agriculture applications, delivering a good overall value.



PART #	DESCRIPTION	PR	PSI	OD	SW	RIM	LOAD
T1040460012	6.00-12	4	26	25.03	6.52	12X4	715@9MPH
T1040623100012	23X10.00-12	6	40	23.01	9.59	12X8.5	1985@10MPH
T1040823100012	23X10.00-12	8	40	23.03	9.56	12X8.5	1985@10MPH
T104062610012	26X10.00-12	6	32	25.75	10.54	12X8	2090@10MPH
T104082610012	26X10.00-12	8	50	25.75	10.54	12X8	3020@10MPH
T60069516R1	9.5-16	6	30	33.54	9.5	16X8	1390@20MPH
T600411224R1	11.2-24	4	22	43.66	11.28	24X10	1650@20MPH
T600413624R1	13.6-24	4	14	46.83	13.12	24X12	2040@20MPH
T600613624R1	13.6-28	6	24	50.97	12.9	28X10	2830@20MPH

# CROP TRACX



**CROP TRACX** offers a unique G1W lug design—extending sidewall-to-sidewall—that functions like a cleat for maximum traction, especially when operating on wet soil. At the same time, its tread pattern ensures a smooth ride on hard surfaces, with minimal wear thanks to heavy-duty construction and a premium compound, making this an exceptional solution especially for compact tractors.

PART #	DESCRIPTION	PR	PSI	OD	SW	RIM	LOAD
T6004716	7-16	4	24	28.48	6.41	16X5	855@20MPH
T6004816	8-16	4	18	30.13	7.74	16X6	1070@20MPH





# GC-703

## AGRICULTURE



**GC 703** is a specialty tire designed for harvesting vehicle applications, with a tread pattern that optimizes ground contact on muddy and wet surfaces.

PART #	DESCRIPTION	PR	PSI	OD	SW	RIM	LOAD
T12702126006	12X6.00-6	2	14	11.72	5.12	6X4.5	260LBS@10MPH

AGRICULTURE

# BIG FOOT

**BIGFOOT** uses an R1 tread pattern with ultra-deep lugs and low void-to-tread ratio, delivering excellent traction—especially on wet and muddy surfaces—with a self-cleaning feature. Its construction provides cut and chip resistance for operating in fields, enhancing durability and useful operating life.



PART #	DESCRIPTION	PR	PSI	OD	SW	RIM	LOAD
T6004512	5-12	4	35	21.81	4.83	12X4	490@20MPH
T60041808512	180/85D12	4	23	24.13	6.3	12X4.5	595@20MPH
T6004614	6-14	4	36	26.535	6.575	14X5	805@25MPH
T6004716	7-16	4	24	29.21	7.13	16X5	855@20MPH
T6004816	8-16	4	18	30.75	8.09	16X5	1070@20MPH
T6006818	8-18	6	28	32.82	7.82	18X6	1140@20MPH
T6004818	8-18	4	23	33.071	8.110	18X6	1146@20MPH
T600411224	11.2-24	4	18	43.11	11.01	24X9	1650@25MPH
T600412424	12.4-24	4	16	45.55	11.89	24X10	1870@25MPH
T600612424	12.4-24	6	32	45.669	12.402	24X12	3190@25MPH
T600413626	13.6-26	4	15	49.72	13.94	26X11	2040@25MPH
T600413626	13.6-26	6	22	49.606	13.386	26X11	2800@25MPH
T60048320	8.3-20	6	34	35	9.49	20X7	1235@20MPH



## AGRICULTURE

# I-1 RIB IMPLEMENT

AGRICULTURE

**I-1 RIM IMPLEMENT** tires are designed for heavy-duty agricultural use, with 8-ply construction and a cut and puncture resistant compound with Stubble Guard technology. This unique feature effectively protects the tire from residual stubble damage, enhancing durability while reducing costs associated with tire damage.



PART #	DESCRIPTION	PR	PSI	OD	SW	RIM	LOAD
T125162170012	21X7.00-12	16	50	21.38	7.01	12X5.5	1390@10MPH
T150623105014	23X10.50-14	6	36	22.95	10.69	14X8.5	1870@10MPH
T125202480014	24X8.00-14	20	50	24.25	7.91	14X6	1870@10MPH
T125082570018	25X7.00-18	8	54	25.43	6.97	18X6	1610@10MPH
T125082570018	25X7.00-18	8	54	25.51	7.01	18X6	1610@10MPH
T1252426900145	26X9.00-14.5	16	50	26.57	8.94	14.5X6	1930@10MPH
T2020867015	6.70-15 SL	8	44	27.78	7.11	15X5	1930@10MPH
T2020876015	7.60-15 SL	8	44	28.7	7.9	15X5	2758@10MPH



### OTR STUBBLE GUARD TECHNOLOGY

OTR's Stubble Guard technology comprises heavy-duty construction and compounds with extra layering that provides cut, chip and puncture-resistance for vehicles operating in harm's way. This technology is especially well suited for tires used in agricultural related equipment such as farm implements, trailers, wagons and tractors (as front tires).



## LITEFOOT & LITEFOOT G1/R1



**LITEFOOT** comes in two designs—one for light-duty tractors requiring good traction with a turf-friendly tread, and the other with a G1/R1 tread featuring deep angled lugs for improved grip and handling in wet fields. Both versions provide exceptional performance and function with good overall value for the money.

PART #	DESCRIPTION	PR	PSI	OD	SW	RIM	LOAD
T4042385012	23X8.50-12	4	22	22.6	8.24	12X7	1100@10MPH
T4042395012	23X9.50-12	4	24	23.07	9.25	12X7	1225@10MPH
T40426120012	26X12.00-12	4	20	25.59	12.28	12X10.5	1760@10MPH
T6004716G1	7-16	4	24	29.213	7.205	16X5	855@20MPH
T60068322R1	8.3-22	6	35	37.2	8.1	22X7	1760@10MPH



## AGRICULTURE

# LITEFOOT PRO



**LITEFOOT PRO** features symmetrical tread blocks and broad shoulders that optimize ground contact and traction while operating on slopes, with a turf-friendly design for subcompact and compact tractors. Sipes and deep grooves ensure self-cleaning, improving traction in wet and muddy conditions as well.

PART #	DESCRIPTION	PR	PSI	OD	SW	RIM	LOAD
T2090612165	12-16.5	6	40	33.46	11.81	16.5X9.75	4180@5MPH
T209062385012	23X8.50-12	6	35	22.91	8.46	12X7	1470@10MPH
T209144118LL225	41X18LL.225	14	50	41.2	17.55	22.5X14	9100@10MPH
T209204118LL225	41X18LL.225	20	80	41.2	17.55	22.5X14	14,800@10MPH

AGRICULTURE

# RAIN MASTER

**RAIN MASTER** couples a unique tread pattern with a wide footprint, delivering exceptional traction on wet ground and reduced soil compaction—ideal for farming in environments such as rice paddies. Its heavy-duty construction, using a special UV-resistant compound, extends tire life; it's also 8-ply rated, with a 5,200 lb. load capacity. It's an excellent, safe option to replace recapped 11R22.5 tires as well.



PART #	DESCRIPTION	PR	PSI	OD	SW	RIM	LOAD
T690830080225	300/80D22.5	8	35	42.52	12.05	22.5X8.25	5205 @ CREEP



### NEW TIRE SOLUTIONS

OTR continues to develop new agriculture tires using advanced technologies, with an emphasis on enhancing productivity, utilization, comfort and safety. Two such examples—one pictured left and one right—feature an R1W pattern designed to optimize traction for compact tractors operating on wet soil, while reducing road noise and vibration. Deep angled lugs with sharp cut-offs at the sidewall ensure grip and handling in fields and on slopes. These tires also feature unique rock ejectors and mud breakers, resulting in better cleaning. Contact OTR to learn more how to leverage these innovative tires for your applications.





# AGRICULTURE

# RAINMAX

AGRICULTURE

**RAINMAX** is a popular directional R1 tire designed for irrigation equipment using center pivot style wheels. Its unique design features deep cleated lugs that are curved to prevent ruts and slipping on hills. Heavy-duty construction and reinforced sidewalls, coupled with a unique tread pattern, delivers superior traction and handling on wet and muddy ground.



PART #	DESCRIPTION	PR	PSI	OD	SW	RIM	LOAD
T690611238	11.2-38	6	26	58.66	11.81	38X10	4793@CREEP
T690614924	14.9-24	6	26	51.22	14.96	24X12	3420@CREEP

# RAINMAX H<sub>2</sub>O



**RAINMAX H<sub>2</sub>O** is a new R1 tire for irrigation equipment using center pivot style wheels, offering enhanced protection from environmental stresses that cause premature aging and failures. Its heavy-duty construction, tread pattern and premium UV-resistant compounds ensure long-life; the lug design—derived from OTR's proven RAINMAX tire—maximizes traction on wet and muddy ground with a self-cleaning feature, making this an excellent all-around mobility solution for irrigation.

PART #	DESCRIPTION	PR	PSI	OD	SW	RIM	LOAD
T2150611224	11.2-24	6	26	43.97	11.38	24X10	3,000 & 10MPH
T2150614924	14.9-24	6	20	50.04	14.65	24X12	3000@25MPH
T2150611238	11.2-38	6	26	57.51	11.49	38X10	2540@25MPH
T2151011225	11-22.5	10	45	42.52	11.02	22.5X8.25	5,060@10MPH
T2151011245	11-24.5	10	45	44.45	10.83	24.5X8.25	5,060@10MPH

# RAINMAX





# TRAILER TIRES & WHEELS

## AGRICULTURE



### TRAILER TIRE & WHEEL ASSEMBLIES

OTR offers custom tires—ST type—for agricultural trailer applications such as header transport, baler and utility, for original equipment manufacturers and fleets. Sizes range from 4.80" to 20.5". These can be sold as assemblies, with steel wheels. Contact your OTR salesperson for more information.

PART #	DESCRIPTION	PR	PSI	OD	SW	RIM	LOAD
T81964808	4.80-8	6	90	16	4.7	8X3.75	745
T819657012	5.70-8	6	75	18.11	6.1	8X4.5	910
T811648012	4.80-12	6	90	20.35	4.76	12X3.75	990
T811653012	5.30-12	6	90	20.35	4.76	12X3.75	1050
T81141656508	16.5X6.50-8	4	45	16.26	6.65	8X5.375	615
T81141858508	18.5X8.50-8	6	50	18.89	8.39	8X7	940
T81510205810	20.5X8.0-10	10	90	20.5	8.07	10X6	1535

AGRICULTURE

# SPECIALTY AG TIRES & WHEELS

### SPECIALTY AG TIRES & WHEELS

OTR can also design and provide custom tires for specialty applications, such as baler solid tires (12x3.5) and gauge type tire and wheel assemblies (10x1 and 12x1). These assemblies comprise semi-pneumatic tires and bolt-together wheels (pictured below).





## AGRICULTURE

## TUBES

**OTR'S TRANS AMERICAN RUBBER BRAND TUBES** feature 100% butyl rubber for a premium tube solution. Tubes extend tire life, prevent air leakage and add weight for improved traction. Butyl provides distinct advantages for agricultural equipment:

- Improved shock absorption and ride comfort.
- Excellent weatherability; resistance to heat, moisture and chemical attack.
- Durability; resistant to flexing, abrasion and tearing.



AGRICULTURE

STOCK CODE	DESCRIPTION	VALVE
5B01NB	4.00/5.00-15	TR15
5B02	11L-15/16	TR15CW
5B05	11L-15/16	TR15
5B11	12.5L-15/16	TR15CW
5B15	7.50-17/18	TR15
5B16	19.0/45-17	TR15
5B17NB	4.00-19	TR15
5B33	750/825-20	TR15CW
5B35	7.50/8.25-20	TR15
5B36	9.00/10.00-20	TR15
5B38	1000/1100-16	TR15CW
5B42	11.00-16	TR150A
5B44	14L-16.1	TR15CW
5R00	11LR14	TR13
5R02	7.5L/9.5LR14/15	TR13
5R03	5.50/6.00R15/16	TR15
5R07	7.5L/9.5LR14/15	TR218A
5R10	11L/12.5LR15/16	TR15
5R13	31X13.50/15.50R15	TR15
5R15	11L/12.5LR15/16	TR218A
5R18	10/11.00R15/16	TR15
5R20	10/11.00R15/16	TR218A
5R21	13.6/14LR16.1	TR15
5R24	13.6/14LR16.1	TR218A
5R25	16.5/18.4R16.1	TR218A
5R26	18.4/19.5/21.5LR16.1	TR218A
5R27	16.5/18.4R16.1	TR15
5R30	10.5L/12.5LR18/20	TR15
5R35	10.5L/12.5LR18/20	TR218A
5R45NB	6.00R16(GR16)	TR218A
5R60NB	7.50/9.00R10	TR218A
6B05	8.3-24	TR218A
6B10	9.5-24	TR218A
6B15	11.2/12.4-24	TR218A
6B20	19.5L-24	TR218A

142 TUBES

PRODUCT SPECIFICATIONS AND AVAILABILITY SUBJECT TO CHANGE WITHOUT NOTICE



# TUBES

# AGRICULTURE



**OTR'S BRAND—TRANS AMERICAN RUBBER**—offer 5-Star rated tubes for rear farm tires, using premium grade materials with a thickness optimized for heavy-duty use, which in turn ensures tubes are durable and long-lasting. The area around the valve stem is reinforced so the stem will not pull out when subjected to forces generated by high-horsepower tractors and/or caused by low air pressure. Stems are constructed in brass so they will not corrode. As a result, 5-Star rated tubes are preferred by customers using tractors, sprayers and tilling equipment.

AGRICULTURE

STOCK CODE	DESCRIPTION	VALVE
6B25	13.6/14.9-26/28	TR218A
6B30	11.2/12.4-28	TR218A
6B35	16.9-30	TR218A
6B40	18.4-30	TR218A
6B45	16.9-34	TR218A
6B50	18.4-34	TR218A
6B53	11.2-38	TR218A
6B55	16.9-38	TR218A
6B60	18.4-38	TR218A
6B65	18.4-42	TR218A
<b>5 STAR PREMIUM</b>		
6PR22	23.1R26	TR218A
6PR32	16.9/18.4R26/28	TR218A
6PR34	28LR26	TR218A
6PR36	16.9/18.4R30	TR218A
6PR40	23.1R30	TR218A
6PR44	24.5R32	TR218A
6PR48	16.9/18.4R34	TR218A
6PR52	13.6/14.9R36/38	TR218A
6PR55	15.5R38	TR218A
6PR59	16.9/18.4R38	TR218A
6PR60	710/70R38	TR218A
6PR61	20.8R38	TR218A
6PR64	20.8R34	TR218A
6PR67	30.5LR32	TR218A
6PR68	9.5/11.2/12.4R42	TR218A
6PR70	18.4/20.8R42	TR218A
6PR80	14.9R46	TR218A
6PR85	16.9/18.4R46	TR218A
6PR91NB	9.5R48	TR218A
6PR94	270/95R52/54	TR218A
6PR96	16.9/18.4R50	TR218A

## QUALITY TUBES

"The quality of the Trans American Rubber 5 STAR Premium tube surpasses any other farm tube in the market." M.S. – Colorado



## AGRICULTURE

# TUBES

AGRICULTURE

STOCK CODE	DESCRIPTION	VALVE
6R00	13.6R20	TR218A
6R05	18.4/19.5/21LR24	TR218A
6R10NB	7.5/8.3/9.5R24	TR218A
6R13	11.2/12.4R24	TR218A
6R16	13.6/14.9R24	TR218A
6R19	16.9/17.5LR24	TR218A
6R22	23.1R26	TR218A
6R26	11.2/12.4R26	TR218A
6R27	11.2/12.4R28	TR218A
6R28	13.6/14.9R26/28	TR218A
6R32	16.9/18.4R26/28	TR218A
6R34	28LR26	TR218A
6R36	16.9/18.4R30	TR218A
6R38	14.9R30	TR218A
6R40	23.1R30	TR218A
6R41	13.6/14.9R36	TR218A
6R42	9.5/11.2R32/34	TR218A
6R44	24.5R32	TR218A
6R46	14.9R34	TR218A
6R47	14.9R36	TR218A
6R48	16.9/18.4R34	TR218A
6R49	11.2/12.4R36/38	TR218A
6R52	13.6/14.9R36/38	TR218A
6R53	13.6/14.9R38	TR218A
6R55	15.5R38	TR218A
6R59	16.9/18.4R38	TR218A
6R61	20.8R38	TR218A
6R64	20.8R34	TR218A
6R67	30.5LR32	TR218A
6R68	9.5/11.2/12.4R42	TR218A
6R70	18.4/20.8R42	TR218A
6R77	12.4/13.6/14.9R46	TR218A
6R85-2	16.9/18.4R46	TR218A

144 TUBES

PRODUCT SPECIFICATIONS AND AVAILABILITY SUBJECT TO CHANGE WITHOUT NOTICE





# PIVOT WHEELS

## AGRICULTURE



### PIVOT WHEELS

OTR offers a range of steel pivot wheels for irrigation equipment, in popular sizes, with 8- and 9-hole and 8-on-8 bolt patterns and common offsets. Reverse mount units are available, along with wheel color options. Standard units are galvanized for corrosion protection. Additionally, select wheels feature valve guards.

PART #	SIZE	TIRE SIZE	BP	OFFSET	COLOR
W248004*	24X8	11.2/14.9-24	8ON8	-2	GALVANIZED
W2410001*	24X10	11.2/14.9-24	8ON8	-2	GALVANIZED
W2410012	24X10	11.2/14.9-24	8ON8	0	GALVANIZED
W2410003	24X10	11.2/14.9-24	9ON9.5	1	YELLOW
W2410010	24X10	16.9-24	8ON8	-2.93	YELLOW
W2412011*	24X12	14.9/16.9-24	8ON8	-2	GALVANIZED
W2415011	24X15	16.9-24	8ON8	-3.5	GALVANIZED
W245825009	24.5X8.25	11-24.5	9ON9.5	-7.9	YELLOW
W3810003	38X10	11.2/12.4/13.6-38	9ON9.5	1.75	YELLOW
W3810015*	38X10	11.2/12.4/13.6-38	8ON8	2	GALVANIZED
WA225825001G	22.5X8.25	11-22.5	8ON8	-0.72	GALVANIZED
WA225825002G	22.5X8.25	11-22.5	8ON8	-2	GALVANIZED
WA225825006G	22.5X8.25	11-22.5	8ON8	1.7	GALVANIZED
WA225825008G	22.5X8.25	11-22.5	8ON8	-1.5	GALVANIZED
WA248001G	24X8	11.2/12.4-24	8ON8	-2	GALVANIZED
WA2410005G	24X10	11.2/12.4-24	8ON8	-2.8	GALVANIZED
WA2410006G	24X10	11.2/12.4-24	8ON8	0	GALVANIZED
WA245825003G	24.5X8.25	11-24.5	8ON8	2	GALVANIZED

\*INCLUDES VALVE GUARD.

AGRICULTURE



# AGRICULTURE

## STANDARD IMPLEMENT WHEELS



### STANDARD IMPLEMENT WHEELS

OTR offers a variety of standard steel wheels for farm implements, covering tires from 6.70" to 26", for wheels that are 12" to 28". Colors include white, black, cream, silver, gray and black. Bolt patterns—5 on 5.5, 6 on 6, 8 on 8 and 6-clamp, and offsets support fitments for popular machines and tires. OTR can also provide tire and wheel assemblies; consult with your OTR salesperson for more information.

PART #	WHEEL SIZE	BP	TIRE SIZE	OFFSET	COLOR
W12105033	12X10.50	6ON6	26X12-12	0	WHITE
W148005	14X8	6ON6	9.5-11L14	1.125	CREAM
W1510012	15X10	6ON6	12.5L15/29X12.50-15	-0.88	BLACK
W1510013	15X10	6ON6	12.5L15/29X12.50-15	0.89	WHITE
W1510014	15X10	6ON6	12.5L15/29X12.50-15	-1.6	CREAM
W1510015	15X10	8ON8	12.5L15/29X12.50-15	-1.6	CREAM
W155009	15X5	5ON5.5	6.70-15	-0.25	SILVER
W155010	15X5	5ON5.5	6.70-15	-0.25	GRAY
W155012	15X5	5ON5.5	6.70-15	-0.25	BLACK
W155008	15X5	5ON5.5	6.70-15	-0.25	WHITE
W155007	15X5	6ON6	6.70-15	1.125/-1.6	CREAM
W156009	15X6	6ON6	7.60-15	1.125	CREAM
W158013	15X8	6ON6	11L15	2	WHITE
W158010	15X8	6ON6	11L15	1.125/-1.6	CREAM
W158011	15X8	8ON8	11L15	1.125/-1.6	CREAM
W165975013	16.5X9.75	8ON8	12-16.5	1.09	BLACK
W166012	16X6	6ON6	7.50-16	1.08	SILVER
W166008	16X6	6ON6	7.50-16	1.125/-1.6	CREAM
W166014	16X6	8ON8	7.50-16	1.12	BLACK
W168003	16X8	6ON6	11L16	-1.6	CREAM
W175105008	17.5X10.5	6ON6	14-17.5	1.12	RED
W175105009	17.5X10.5	8ON8	14-17.5	-1.49	SILVER
W175105003	17.5X10.5	8ON8	14-17.5	-1.5	SILVER
W1956003	19.5X6	8ON8	225/70R19.5	0.38	CREAM
W2251175009	22.5X11.75	8ON8	315/80R22.5	-0.5	CREAM
W22513009	22.5X13	8ON8	385/445R22.5	1.125	CREAM
W22513008	22.5X13	8ON8	385/445R22.5	-1.5	CREAM
W225825016	22.5X8.25	8ON8	11R22.5	0.75	CREAM
W225825014	22.5X8.25	8ON8	11R22.5	-1.5	CREAM
W2810003	28X10	6CLAMP	11.2/12.4-28	-	SILVER
W2812005	28X12	6CLAMP	13.6/14.9-28	-	SILVER

AGRICULTURE



# CUSTOM AG WHEELS

## AGRICULTURE

### CUSTOM AGRICULTURAL WHEELS

OTR designs and manufactures custom steel wheels. Examples include:

- Trailer wheels, for header transport, baler and utility applications.
- Custom wheels for small to medium-sized tractors.
- Cast disc wheels up to 42" in diameter for utility tractors producing 130+ horsepower. These wheels fit popular agricultural tires, including low side-wall versions, with designs approved and preferred by OEM customers.
- Gauge type steel wheels, for planters (10x1 and 12x1).



AGRICULTURE



## ACCESSORIES



### ACCESSORIES

OTR accessories for tractors include ballast and counterweights designed to enhance traction and mobility. Examples include 50 -500 lb. wheel weights for tractors—currently supplied to leading OEM—with a standard 65 lb. version coming soon for the aftermarket, and 1,500 lb. bumper counterweights.





## AGRICULTURE

## SERVICES

# TyrLyner®



**TYRLYNER®** is a proprietary rubber urethane securely applied to the inside of a tire's casing to extend life and enhance safe operation. Its "self-healing" technology ensures the tire is sealed when punctured or cut by objects up to 1/4" in diameter. The coating is applied at an OTR facility for original equipment manufacturers and distributors who support fleets and owner-operators engaged in construction work, where downtime is NOT an option.

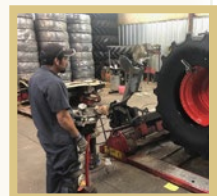
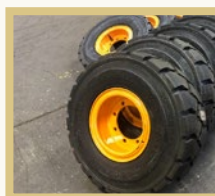
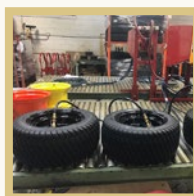
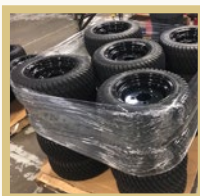
AGRICULTURE

## MOUNTING & SEQUENCING

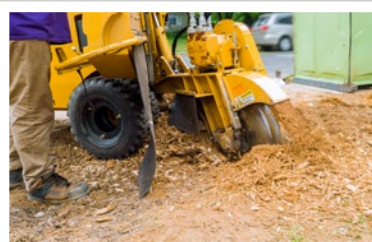


### MOUNTING & SEQUENCING

In addition to tires and wheels, OTR provides tire and wheel mounting sequencing, just-in-time delivery and warehousing for OEM customers. Facilities are located around the world, close to OEM customers' locations. Key processes are automated, with automatic tire inflation systems that are repeatable and accurate. Consult with your OTR salesperson to learn how to get started.



# SPECIALTY VEHICLES





## SPECIALTY VEHICLES

## OFF-ROAD HEAVY DUTY TRUCKS

### OFF-ROAD HEAVY DUTY TRUCKS

OTR designs and manufactures custom steel wheels for heavy-duty trucks used in severe-duty, off-road applications supporting industries such as oil field drilling, construction, forestry, mining, ground support equipment and the military. We supply wheels to leading OEMs, plus tires to heavy-duty trailer manufacturers, supporting vehicles with a GVWR (gross vehicle weight rating) of 150,000 lbs. and more. Sizes range from 20" – 25", in 1-, 3- and 5-piece configurations. Assemblies accommodate bolt-hole requirements covering standard, custom and demountable type wheels, plus tubeless applications. Products include:

- » Complete wheel assemblies
- » Components
- » Accessories such as spacers and clamps

Wheel designs are compatible with industry tire and rim standards, ensuring correct fitments and special requirements, e.g. flotation applications and use on rough terrain.

OTR's proprietary designs and advanced technology ensure our preferred status with companies such as PACCAR (Kenworth and Peterbilt), Daimler Trucks North America (Freightliner and Western Star) and others. OTR engineers collaborate with our customers' staffs to design applications-specific wheels, accounting for a wide range of axles, loads and life cycle targets related to durability, longevity and reliability. Of particular note, we manufacture rim assemblies and components featuring seamless forged sections and HSLA grade steel for critical components, thereby ensuring high performance and robustness in extreme applications.



## 150 TIRES

PRODUCT SPECIFICATIONS AND AVAILABILITY SUBJECT TO CHANGE WITHOUT NOTICE



## SPECIALTY TRUCK TRAILERS

## SPECIALTY VEHICLES

### SPECIALTY TRUCK TRAILERS

OTR supplies custom commercial-grade DOT compliant tire and wheel assemblies for specialty trailers traveling on-highway. On-highway tire sizes in scope include 11R22.5, 255/70R22.5, 275/70R22.5 and 425/65R22.5. Wheel sizes include 19.5 x 11.75, 22.5 x 8.25, 22.5 x 9 and 22.5x13, with pilot and stud hub configurations.



SPECIALTY

## CONVEYORS



### CONVEYORS

OTR supplies custom tires and wheels for OEM portable conveyor applications—the same products, for the most part, we provide for heavy-duty truck trailer applications. Additionally, heavy-duty versions of OTR's market-leading industrial tire—the Outrigger—are available for conveyors to optimize traction and stability on rough terrain, thus ensuring productivity, machine utilization and operator safety.

OTR's on-highway tire and wheel assemblies, coupled with our Outrigger tire line for off-road use, delivers a total mobility solution to end users.



**OTR R4** is OTR's well-regarded industrial tire, featuring deep lugs for maximum grip, handling and self-cleaning; rim guards; reinforced beads; and heavy-duty sidewalls for durability and protection from cuts and punctures. Ultra-heavy-duty models are available for mobile conveyors once set up for work in the field—385/65R22.5 and 445/50D710 rated at 18- and 24-ply, respectively, handling up to 47,000 pounds each. These tires are designed to sustain heavy loads and continuous operation, once deployed, optimizing productivity and machine utilization.





## SPECIALTY VEHICLES

## CLEANING EQUIPMENT

### CLEANING EQUIPMENT

OTR offers custom tire and wheel assemblies for OEMs who produce commercial cleaning equipment, including riding, walk-behind and mechanical street sweepers. Tires include foam-filled pneumatic, solid and closed-cell poly foam types, with steel wheels designed for durability and long-life, whether used inside or out. Poly foam tires provide additional cushion and support.



SPECIALTY

## TREE CARE

### TREE CARE

OTR provides custom wheels for OEMs producing tree care machines, such as stump grinders and wood chippers. Wheels can be sourced with tires for complete assemblies. Wheels are designed and manufactured to withstand shock and vibration and continuous exposure to the elements.







# MILITARY VEHICLES

# SPECIALTY VEHICLES

**MILITARY VEHICLES** OTR tire and wheel assemblies can be specified for OEM military applications. Tires include standard pneumatic, pneumatic foam-fill and solid types, featuring our premium brand, Solid-Boss. Consult with your OTR salesperson for more information.



SPECIALTY





# SPECIALTY VEHICLES

# TIRE SHIELDS

SPECIALTY

**OTR TIRE SHIELDS** protect valuable assets from sidewall damage caused by punctures and cuts, thus ensuring continued vehicle mobility especially on extreme terrain. This in turn reduces downtime while enhancing safety for the operator and workers at the jobsite. Constructed with a durable composite material, shields are also lightweight so there is minimal impact on overall vehicle weight and no disruption in tire balance. Easy to install, shields mount directly to hub flanges via custom lock and adapter rings, with lug nut protection. There are eight part numbers, with additional sizes coming soon.



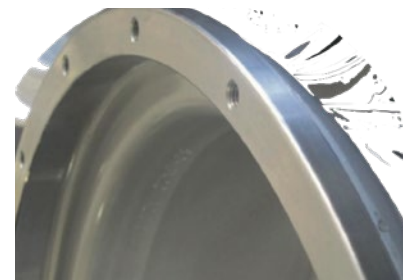
PART #	TIRE	WHEEL
TS20578160965	12.00-20	20X8
TS25702261135	14.00-25	25X11.25
TS60471-01	16.00-25	25X11.25
TS60471-01	23.5R25	25X19.5
TS25730261379	18.00-25	25X13
TS60457-01	305/85R22.5	20X10
TS604384-01	26.5R25	25X22
TS60514-01	29.5R25	25X25



Lug nut protector provides added protection.



Mounts directly to the attached mounting ring



OTR Wheel Engineering can integrate the mounting ring or pattern to your wheels



### REDUCE LIFE CYCLE COST

OTR tire shields reduce tire cycle costs by keeping expensive tires out of harm's way. This also reduces labor cost to replace tires. Less downtime means more productivity and machine utilization—critical success factors for fleet operations at jobsites with deadlines to meet. The assembly is easy to install and validated by OEMs in the field.

## CONTACT INFORMATION

- For OEM inquiries contact your local OTR salesperson or send an email to [sales@otrwheel.com](mailto:sales@otrwheel.com).
- For all inquiries in Canada, call 1-888-77WHEEL (779-4335) or (705) 942-8400.
- For aftermarket inquiries, contact your local OTR salesperson or call 800-833-6309 if you are located east of the Mississippi River or 888-455-4910 if you are located west of the Mississippi. You may also email us at [sales@otrwheel.com](mailto:sales@otrwheel.com).
- For inquiries in Canada, call 705-971-2385.
- For information on Trans American Rubber tubes, flaps or accessories, contact us at 800-922-8823.

## WARRANTY INFORMATION

- OTR provides limited warranty coverage for tires, wheels, tracks and other items in the event of defects in workmanship. You may request a copy of our policy by emailing us [sales@otrwheel.com](mailto:sales@otrwheel.com).
- Note that OTR has designated select dealers and distributors to assist with warranty repairs. Contact OTR for more information.

## CATALOG DISCLAIMER

Product specifications and information were correct as of the date of this catalog release but are subject to change without notice or obligation. Every effort has been made to ensure the accuracy of this catalog. Consult with your salesperson if you wish to verify data is correct.

## ISO 9001: 2015 CERTIFICATION

OTR facilities are ISO 9001: 2015 registered (except for new locations where certifications are in process). ISO ensures consistent product quality, standardization, documentation and compliance with OEM requirements.

## REACH COMPLIANCE

OTR's custom tires for OEMs can be designed with REACH compliance. Consult with your salesperson as needed.



**[otrwheel.com](http://otrwheel.com)**